

Bricka tillstartmotor. 291479  
Fjäder " 291045.



*Ferguson* Tractors and Implements are designed and built for maximum performance and longest possible life. All replacement service parts and sub-assemblies are manufactured with the same scrupulous care and precision that is exercised in the production of the original parts.

Stock and sell only genuine

*Ferguson* Spare Parts

Your customers expect it of you.

# IDENTIFICATION OF BOLTS, NUTS, ETC.

## APPLICABLE TO TRACTOR AND IMPLEMENTS

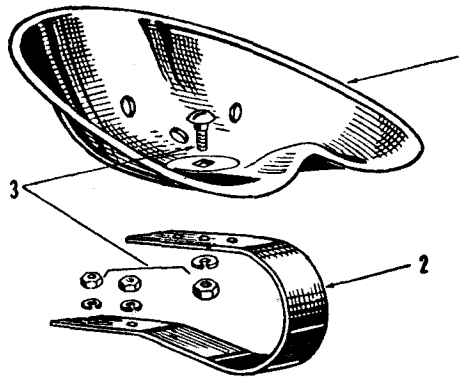
Taking a  $\frac{5}{16}$ "  $\times$  2" long fine thread hexagon Parkerised bolt as an example, the part number is determined thus :—

1. The first two decimal figures of the diameter are quoted as the first two figures of the part number, thus the  $\frac{5}{16}$ " dia. bolt will start "31" (i.e., the decimal equivalent of  $\frac{5}{16}$  is .3125).
2. The type of thread is indicated next— "F" for fine thread (C for course) the part number now becomes "31 F."
3. This is followed by the Part Number Group, which for a bolt is "B" (N for nut, W for washer, etc.) the part number is now "31 FB."
4. Then comes the type of head, "H" for hexagon (C for carriage, K for cultivator head, etc.) the part number is now "31 FBH."
5. The bolt length, which comes next, is quoted in hundredths of an inch, so that the part number for the bolt will now be "31 FBH 200."
6. Lastly, the protective finish or heat treatment is shown ("A" for case hardened, "B" for Parkerised, "C" for case hardened and Parkerised). So that the final part number becomes "31 FBH 200B."

## NOTE

To ensure complete accuracy when ordering spare parts, always quote the tractor and engine serial number

### "20" TRACTOR PARTS LIST



**FIG. 1**

Ref. No.	Part No.	Description	No. Off				
			80 m/m Pet.	85 m/m Pet.	85 m/m V.O.	85 m/m L.O.	20C Diesel
<b>FIG. 1. DRIVER'S SEAT AND RELATED PARTS.</b>							
1	2527	<b>Seat Assembly—Driver's</b> ... ..	1	1	1	1	1
2	7062	<b>Spring—Driver's Seat</b> ... ..	1	1	1	1	1
3	1221	<b>Bolt—Seat to Spring</b> ... ..	1	1	1	1	1
	353 432 X1	<b>Lockwasher—Seat to Spring—Spring to Cover</b> ...	3	3	3	3	3
	353 426 X1	<b>Nut—Seat to Spring—Spring to Cover</b> ...	3	3	3	3	3
SM7UCZ							

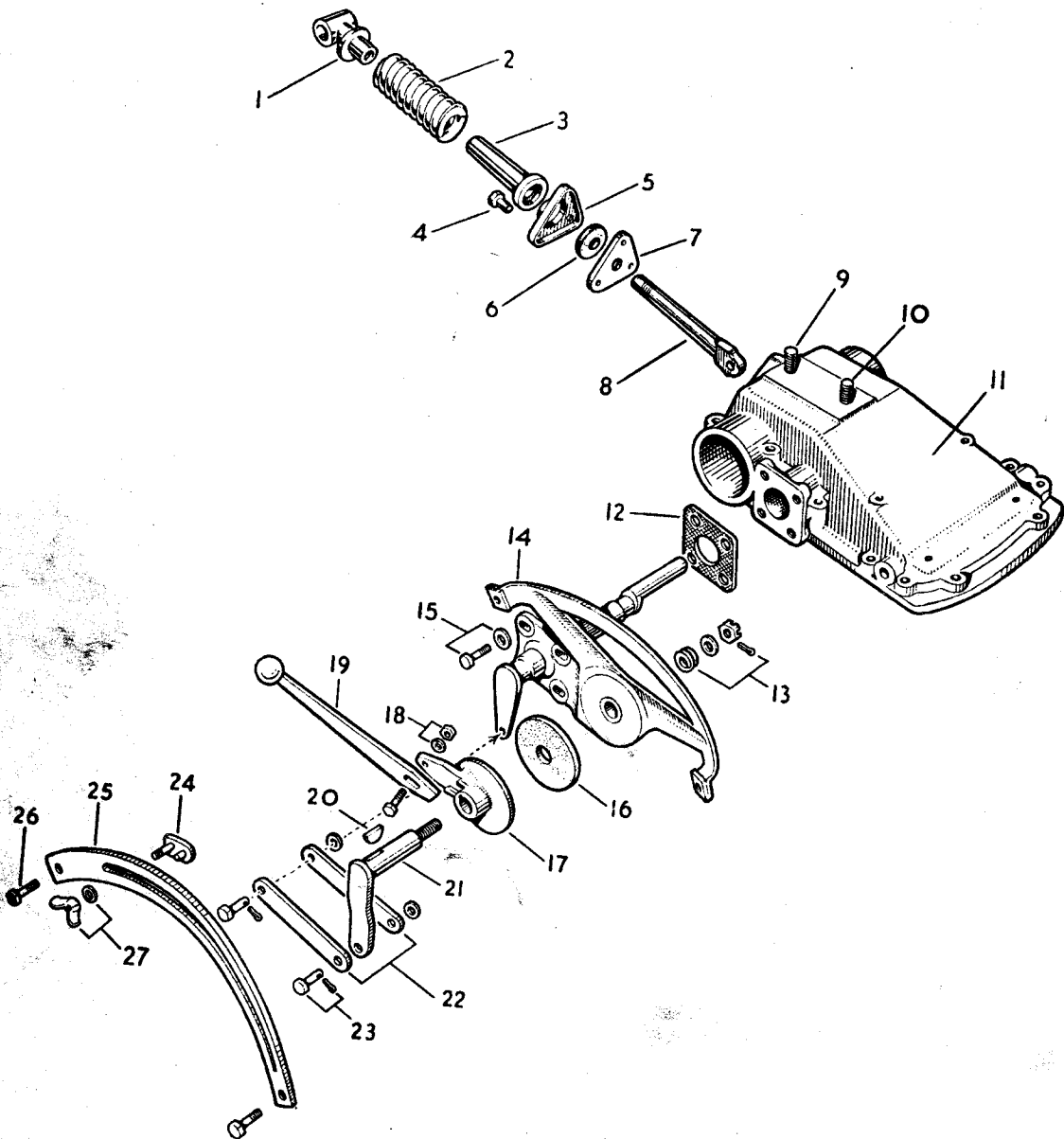


FIG. 2

SM7UCZ



**“20” TRACTOR PARTS LIST**

Ref. No.	Part No.	Description	No. Off				
			80 m/m Pet.	85 m/m Pet.	85 m/m V.O.	85 m/m L.O.	20C Diesel
12	1069	<b>Gasket—Quadrant to Cover</b> ... ..	1	1	1	1	1
	8733	<b>Quadrant and Lever Assembly, includes items 13, 14 and 16 through 27</b> ... ..					1
13	1010	<b>Washer—Double Coil—Shaft Attaching...</b> ...	1	1	1	1	1
	353 757 X1	<b>Washer—Flat</b> ... ..	1	1	1	1	1
	353 925 X1	<b>Nut—Slotted</b> ... ..	1	1	1	1	1
	354 058 X1	<b>Pin—Cotter</b> ... ..	1	1	1	1	1
14	8509	<b>Quadrant Assembly</b> ... ..	1	1	1	1	
	4201	<b>Shaft—Control Lever</b> ... ..	1	1	1	1	
	2463	<b>Extension and Quadrant Plate Assembly</b> ...					1
15	354 403 X1	<b>Bolt—Quadrant Assembly to Cover</b> ... ..	4	4	4	4	4
	353 772 X1	<b>Washer—Flat—Heavy</b> ... ..	4	4	4	4	4
16	1062	<b>Disc—Friction</b> ... ..	1	1	1	1	1
	4350	<b>Quadrant Lever Assembly</b> ... ..	1	1	1	1	
	108542	<b>Quadrant Lever Assembly</b> Each includes items 17, 18 and 19 ... ..					1
17		<b>Plate—Friction. Not serviced separately. Order 108542 or 4350</b> ... ..					

SM7UCZ

**"20" TRACTOR PARTS LIST**

Ref. No.	Part No.	Description	No. Off				
			80 m/m Pet.	85 m/m Pet.	85 m/m V.O.	85 m/m L.O.	20C Diesel
18	353 503 X1	<b>Bolt—Lever to Plate</b> ... ..	1	1	1	1	1
	353 665 X1	<b>Bolt—Hex.</b> ... ..	2	2	2	2	2
	353 918 X1	<b>Nut—Hex.</b> ... ..	1	1	1	1	1
	353 441 X1	<b>Washer—Lock</b> ... ..	2	2	2	2	2
19		<b>Lever and Ball Assembly.</b> Not serviced separately. Order 108542 or 4350.					
20	1241	<b>Key—Woodruff—Quadrant Shaft</b> ... ..	1	1	1	1	1
21	2458	<b>Quadrant Shaft Assembly</b> ... ..					1
22	2461	<b>Link—Connecting</b> ... ..					2
23	195 240 M1	<b>Pin—Clevis—Connecting Link</b> ... ..					2
	353 755 X1	<b>Washer—Flat</b> ... ..					2
	354 046 X1	<b>Pin—Cotter</b> ... ..					2
24	2167	<b>Stop Assembly—Control Lever</b> ... ..	1	1	1	1	1
25	7045	<b>Retainer—Quadrant</b> ... ..	1	1	1	1	1
26	353 674 X1	<b>Screw—Set—Retainer to Quadrant Assembly</b> ...	2	2	2	2	2
27	1153	} <b>Nut—Wing</b> } Alternatives ... ..	1	1	1	1	1
	1815		1	1	1	1	1
	353 754 X1		1	1	1	1	1

SM7UCZ

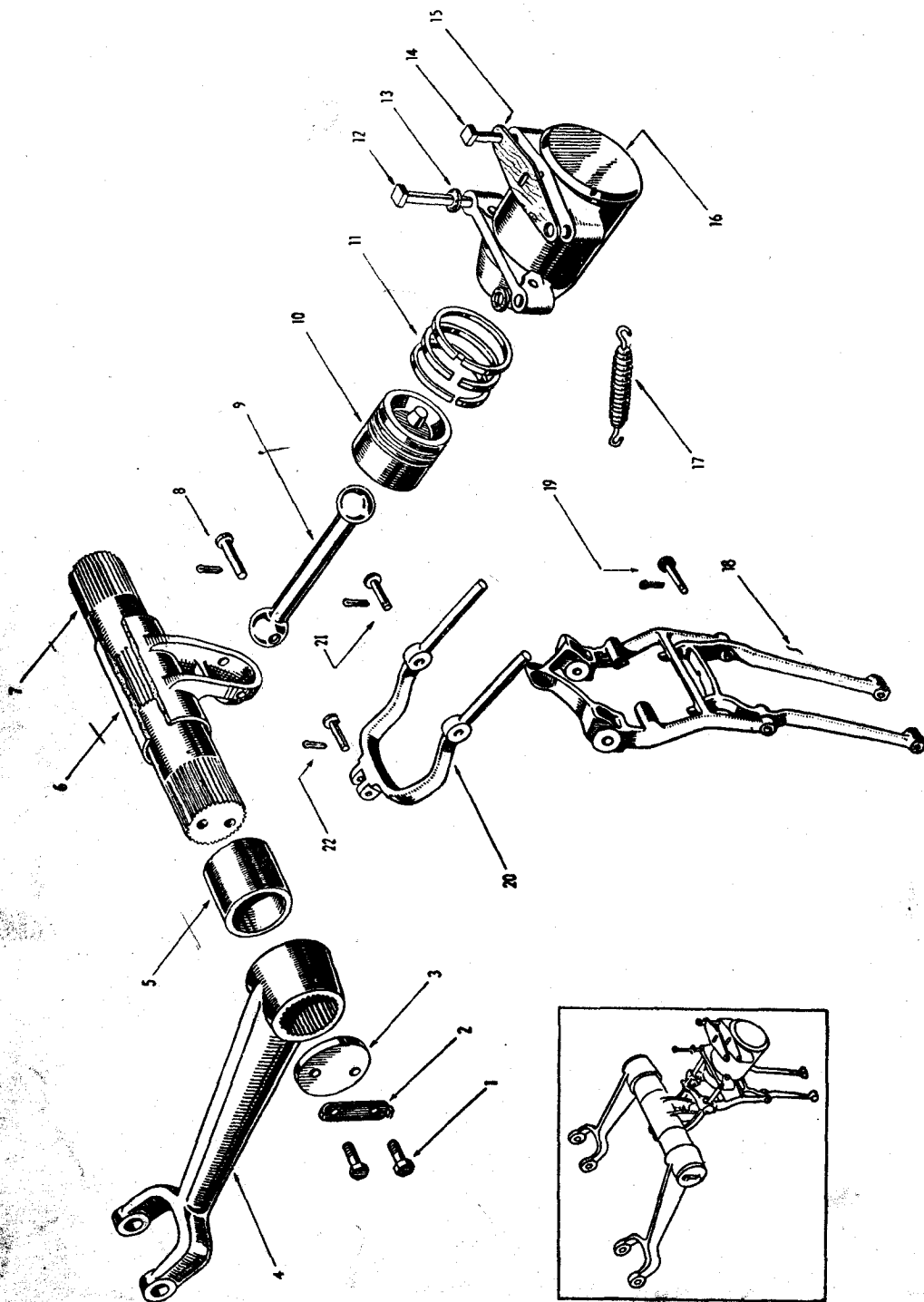


FIG. 3

SM7UCZ



**“20” TRACTOR PARTS LIST**

Ref. No.	Part No.	Description	No. Off				
			80 m/m Pet.	85 m/m Pet.	85 m/m V.O.	85 m/m L.O.	20C Diesel
<b>FIG. 3. HYDRAULIC LIFT SHAFTS AND RELATED PARTS</b>							
1	354 391 X1	<b>Bolt</b> —Arm to Shaft ... ..	4	4	4	4	4
2	180916M1	<b>Washer</b> —Lock—Special ... ..	2	2	2	2	2
3	180 917 M1	<b>Washer</b> —Arm to Shaft ... ..	2	2	2	2	2
4	7007	<b>Arm</b> —Lift Shaft (Up to 73,564) ... ..	2	2	2	2	2
	7249	<b>Arm</b> —Lift Shaft (73,565 and future) ... ..	2	2	2	2	2
5	1001	<b>Bushing</b> —Lift Shaft ... ..	2	2	2	2	2
6	7246	<b>Arm</b> —Ram—Lift Shaft ... ..	1	1	1	1	1
7	7008	<b>Shaft</b> —Hydraulic Lift ... ..	1	1	1	1	1
8	31PS212B	<b>Pin</b> —Clevis—Connecting Rod to Ram Arm ...	1	1	1	1	1
	354 046 X1	<b>Pin</b> —Cotter ... ..	1	1	1	1	1
9	180 903 M1	<b>Rod</b> —Connecting—Ram Arm to Piston ...	1	1	1	1	1
10	1004	<b>Piston</b> ... ..	1	1	1	1	1
11	180 898 M1	<b>Ring</b> —Piston ... ..	3	3	3	3	3
12	44FBS512B	<b>Bolt</b> —Cylinder to Cover ... ..	2	2	2	2	2
	1148	<b>Nut</b> —Cylinder to Cover ... ..	2	2	2	2	2
13	1066	<b>Gasket</b> —Cylinder to Cover (Up to 330,043) ...	2	2	2	2	2
14	44FBS332B	<b>Bolt</b> —Cylinder to Cover ... ..	2	2	2	2	2
	1148	<b>Nut</b> —Hex. ... ..	2	2	2	2	2
	105284	<b>Bolt</b> —Cylinder to Cover ... ..	2	2	2	2	2
	104260	<b>Nut</b> —Hex. ... ..	2	2	2	2	2
		Up to 268,152					
		268,153 and future					
15	104275	<b>Gasket</b> —Cylinder to Cover (Up to 330,043) ...	1	1	1	1	1
	105017	<b>‘O’ Ring</b> (330,044 and future) ... ..	1	1	1	1	1
16	7248	<b>Cylinder</b> (Up to 330,043). Use 201183, 105284 and 104260 ... ..					
	201183	<b>Cylinder</b> (330,044 and future) ... ..	1	1	1	1	1
17	1013	<b>Spring</b> —Retraction—Hydraulic Fork ... ..	1	1	1	1	1
18	7329	<b>Fork Assembly</b> —Hyd. Lift Control (Up to 325,000) ... ..	1	1	1	1	1
	7370	<b>Fork Assembly</b> —Hyd. Lift Control (325,001 and future) ... ..	1	1	1	1	1
19	2198	<b>Pin</b> —Clevis—Fork Top to Fork Bottom ... ..	2	2	2	2	2
	25PS81B	<b>Pin</b> —Used with Pressed Steel Forks ... ..	2	2	2	2	2
	354 039 X1	<b>Pin</b> —Cotter—Fork Bottom ... ..	2	2	2	2	2
20	4004	<b>Fork</b> —Spring Control ... ..	1	1	1	1	1
21	1977	<b>Pin</b> —Clevis—Spring Fork to Hand Control Fork	2	2	2	2	2
	354 048 X1	<b>Pin</b> —Cotter (25,001 and future) ... ..	2	2	2	2	2
	354 057 X1	<b>Pin</b> —Cotter (Up to 25,000) ... ..	2				
22	38PS131B	<b>Pin</b> —Clevis—Plunger to Spring Control Fork ...	1	1	1	1	1
	354 047 X1	<b>Pin</b> —Cotter ... ..	1	1	1	1	1

SM7UCZ

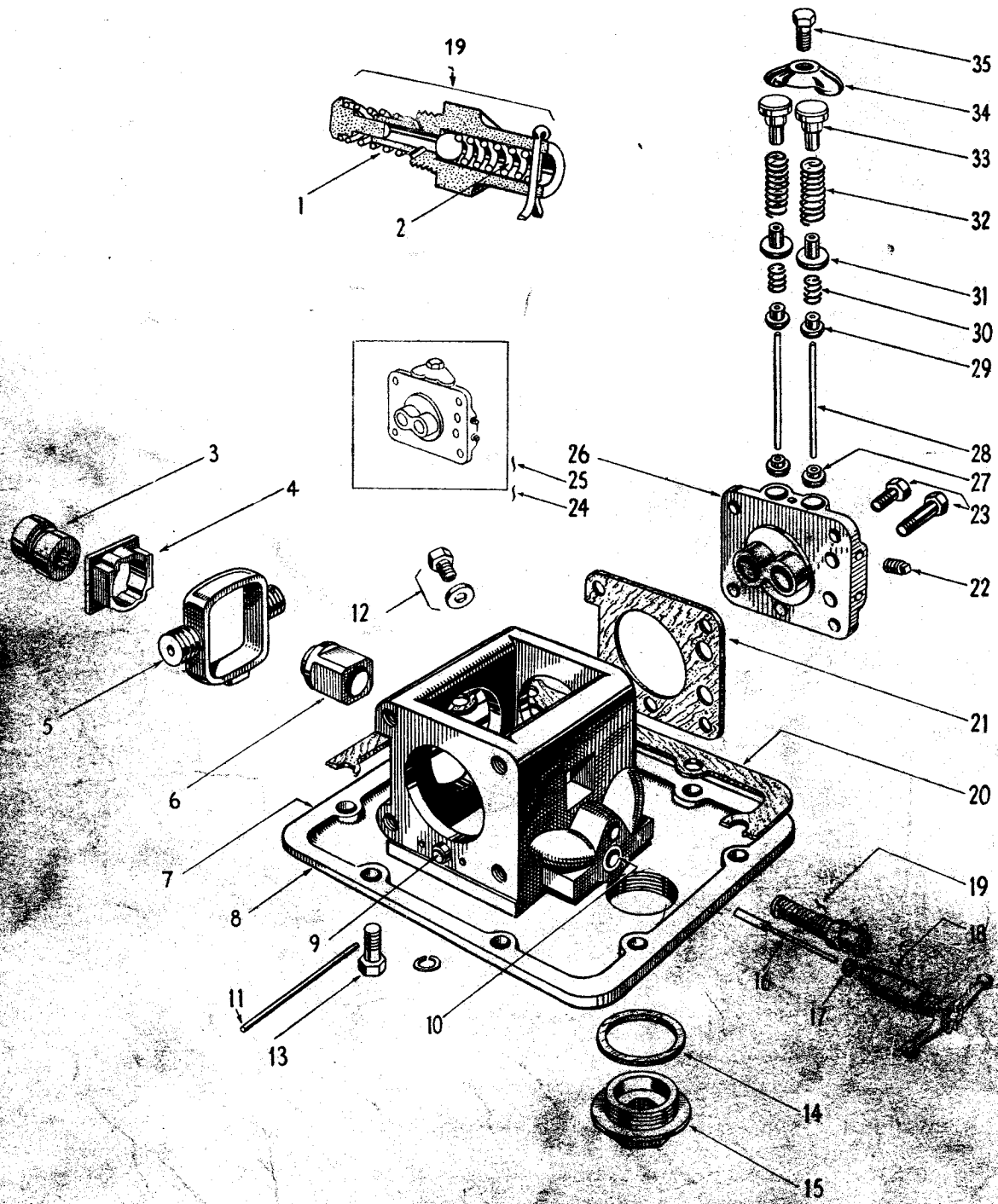


FIG. 4

SM7UCZ

Ref. No.	Part No.	Description	No. Off				
			80 m/m Pet.	85 m/m Pet.	85 m/m V.O.	85 m/m L.O.	20C Diesel
		<b>FIG. 4. HYDRAULIC PUMP ASSEMBLY</b>					
	8700	<b>Hydraulic Pump Assembly (Up to 285,932) ...</b>	1	1	1	1	1
	300952	<b>Hydraulic Pump Assembly (285,933 to 330,043)</b>		1	1	1	1
	301239	<b>Hydraulic Pump Assembly (330,044 and future) Includes :— ... ..</b>		1	1	1	1
1	1058	<b>Spring—Check Valve ... ..</b>	1	1	1	1	1
2	1057	<b>Spring—Valve Retainer (Up to 330,043) ... ..</b>	1	1	1	1	1
3	4045	<b>Cam (Up to 134,000)</b>	1		1	1	
	4395	<b>Cam (134,001 and future) ... ..</b>	1	1	1	1	1
4	1042	<b>Block—Cam ... ..</b>	2	2	2	2	2
5	4009	<b>Piston—Hydraulic Pump ... ..</b>	2	2	2	2	2
6	1059	<b>Bushing—P.T.O. Shaft in Valve Chamber ...</b>	1	1	1	1	1
7	105104	<b>Base Assembly—Hydraulic Pump, includes items 8, 9, 10, 12, 14 and 15 ... ..</b>	1	1	1	1	1
8		<b>Base—Not serviced separately. Order 105104 ...</b>					
9	1189	<b>Dowel—Pump Body to Valve Chamber ...</b>	2	2	2	2	2
10	4327	<b>Bushing—Valve ... ..</b>	1	1	1	1	1
11	1292	<b>Steady—Piston ... ..</b>	2	2	2	2	2
12	1017	<b>Gasket—Plug ... ..</b>	2	2	2	2	2
	1144	<b>Plug—Drain ... ..</b>	2	2	2	2	2
13	353 703 X1	<b>Bolt—Pump to Centre Housing ... ..</b>	9	9	9	9	9
	1576	<b>Washer—Pump to Centre Housing ... ..</b>	9	9	9	9	9
14	1170	<b>Gasket—Transmission Drain Plug ... ..</b>	1	1	1	1	1
15	<del>1048</del>	<b>Plug—Transmission Drain ... 768 30041 ...</b>	1	1	1	1	1
16	2296	<b>Drive Rod Assembly—Use with 2425 ... ..</b>	1	1	1	1	1
	106042	<b>Drive Strip—Use with 106041 ... ..</b>		1	1	1	1
17	2305	<b>Circlip ... ..</b>	1	1	1	1	1

SM7UCZ

**"20" TRACTOR PARTS LIST**

Ref. No.	Part No.	Description	No. Off				
			80 m/m Pet.	85 m/m Pet.	85 m/m V.O.	85 m/m L.O.	20C Diesel
18	1053	<b>Valve Assembly—Control (Up to 134,000)</b> ...					
	2425	<b>Valve Assembly—Oscillating Control (134,001 to 407,101)</b> ...	1	1	1	1	1
	106041	<b>Valve—Tractor (407,102 and future)</b> ...	1	1	1	1	1
	1050	<b>Spring</b> ...	1	1	1	1	1
	826 897 M1	<b>Clip</b> ...	1	1	1	1	1
	1055	<b>Stem</b> ...	1	1	1	1	1
	1056	<b>Bar</b> ...	1	1	1	1	1
19	2172	<b>Valve Assembly—Safety</b> ...	1	1	1	1	1
	2174	<b>Pad—Valve Ball</b> ...	1	1	1	1	1
	2173	<b>Retainer—Valve</b> ...	1	1	1	1	1
	2175	<b>Washer—Packing</b> ...	1	1	1	1	1
	2262	<b>Shield—Safety Valve</b> ...	1	1	1	1	1
	354 057 X1	<b>Pin—Cotter</b> ...	1	1	1	1	1
	105285	<b>Valve Retainer Assembly—</b> includes 1058 and 1168 ...	1	1	1	1	1
	1168	<b>Check Valve</b> ...	1	1	1	1	1
20	4082	<b>Gasket—Pump Base to Centre Housing</b> ...	1	1	1	1	1
21	2181	<b>Gasket—Valve Chamber to Base (Up to 285,932)</b> ...	2	2	2	2	2
	105017	<b>' O ' Ring (285,933 and future)</b> ...	4	4	4	4	4
22	1150	<b>Plug—Pipe—Extension Head</b> ...	4	4	4	4	4
23	1484	<b>Bolt—Valve Chamber to Base</b> ...	4	4	4	4	4
	353 564 X1	<b>Bolt—Valve Chamber to Base</b> ...	4	4	4	4	4
24	2495	<b>Valve Chamber Assembly—L.H. (Up to 285,932)</b> ...	1	1	1	1	1
	105102	<b>Valve Chamber Assembly—L.H. (285,933 and future)</b> each includes items 26 through 35. ...		1	1	1	1
25	2494	<b>Valve Chamber Assembly—R.H. (Up to 285,932)</b> ...	1	1	1	1	1
	105103	<b>Valve Chamber Assembly—R.H. (285,933 and future)</b> each includes items 26 through 35. ...		1	1	1	1
26		<b>Valve Chamber—R.H. Not serviced separately. Order 2494 or 105103</b>					
		<b>Valve Chamber—L.H. Not serviced separately. Order 2495 or 105102</b>					

SM7UCZ

**"20" TRACTOR PARTS LIST**

Ref. No.	Part No.	Description	No. Off				
			80 m/m Pet.	85 m/m Pet.	85 m/m V.O.	85 m/m L.O.	20C Diesel
27	1046	<b>Socket</b> —Valve Guide ... ..	4	4	4	4	4
28		<b>Guide</b> —Valve. Not serviced separately. Order 2496					
29		<b>Valve</b> —Inlet. Not serviced separately. Order 2496					
30	1102	<b>Spring</b> —Inlet Valve ... ..	4	4	4	4	4
31		<b>Valve</b> —Outlet. Not serviced separately. Order 2496					
32	1101	<b>Spring</b> —Outlet Valve ... ..	4	4	4	4	4
33	2482	<b>Plug</b> —Valve Chamber ... ..	4	4	4	4	4
34	1040	<b>Clamp</b> —Top... ..	2	2	2	2	2
35	353 701 X1	<b>Bolt</b> —Clamp to Valve Chamber ... ..	2	2	2	2	2
		<b>NOT ILLUSTRATED.</b>					
	2496	<b>Guides and Valves Assembly</b> , Includes Items 28, 29 and 31 ... ..	4	4	4	4	4
	4414	<b>Stabilizer</b> —Lift Control Fork ... ..	1	1	1	1	1
	353 502 X1	<b>Bolt</b> —Stabilizer to Fork ... ..	2	2	2	2	2
	353 441 X1	<b>Washer</b> —Lock ... ..	2	2	2	2	2
	2300	<b>Fork and Pin Assembly</b> —Use with 2425 ...	1	1	1	1	1
	106043	<b>Fork and Pin Assembly</b> —Use with 106041 ...	1	1	1	1	1
	2377	<b>Screw</b> —Set—Use with 106041 ... ..	1	1	1	1	1
	353 514 X1	<b>Bolt</b> —Hex.—Use with 2425 ... ..	1	1	1	1	1
	106045	<b>Washer</b> —Tab ... ..	1	1	1	1	1
	2273	<b>Cap</b> —Rubber ... ..	4	4	4	4	4

SM7UCZ

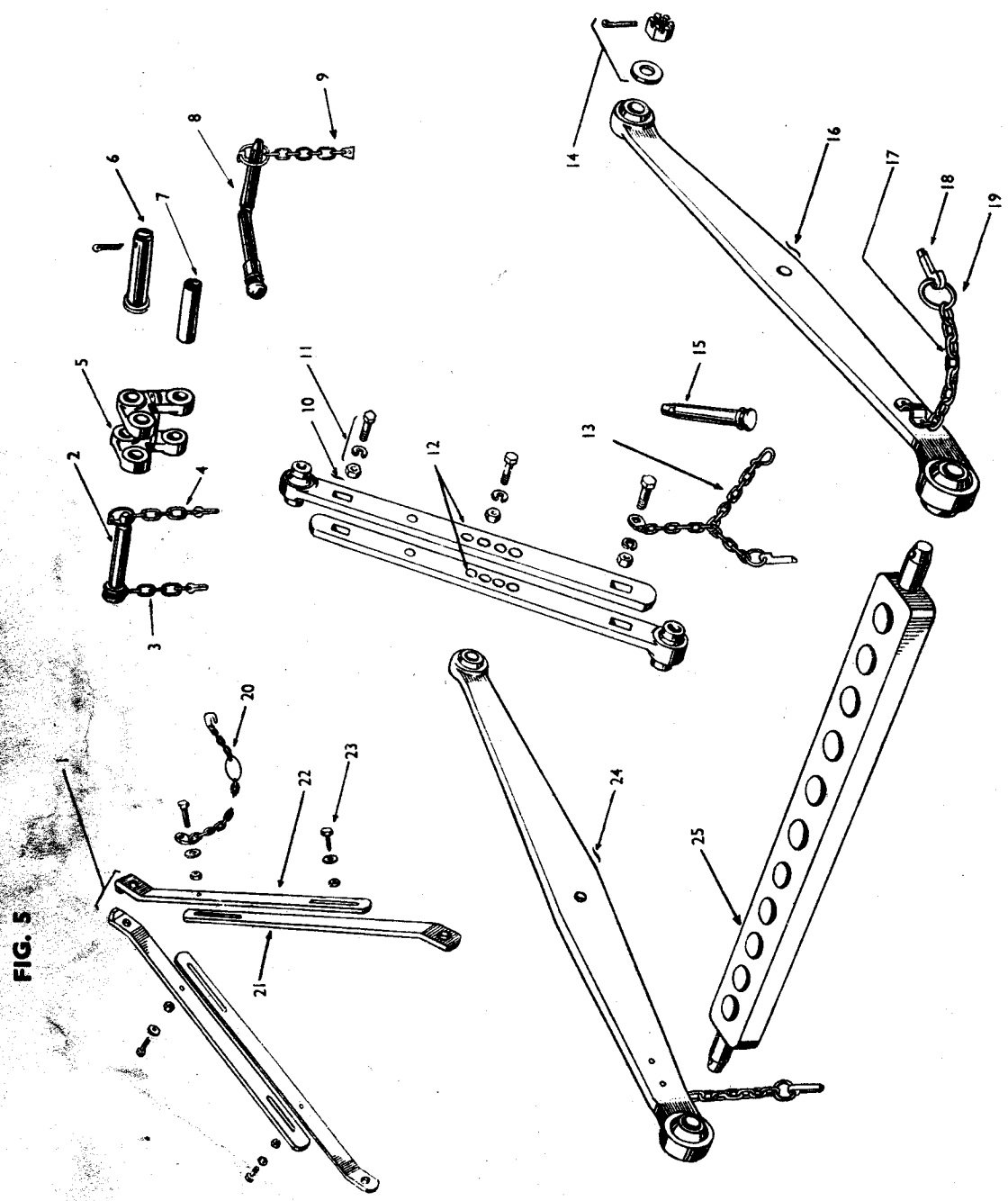


FIG. 5

SM7UCZ

333

"20" TRACTOR PARTS LIST

Ref. No.	Part No.	Description	No. Off					
			80 mm. Pet.	85 mm. Pet.	85 mm. V.O.	85 mm. L.O.	20 C Diesel	
		FIG. 5. UPPER AND LOWER LINKS AND RELATED PARTS						
1		Stay-Drawbar Assembly R.H. Stay-Drawbar Assembly L.H. Order Items 20 through 23						
								] Not serviced separately
2	195 647 M1	Pin-Upper Link to Rocker ... ..	1	1	1	1	1	
3	1935	Chain Assembly-Upper Link Pin ... ..	1	1	1	1	1	
4	826 413 M91	Linch Pin and Chain Assembly, includes:- ... ..	1	1	1	1	1	
	195 346 M1	Pin-Linch ... ..	1	1	1	1	1	
	195 347 M1	Ring-Linch Pin ... ..	1	1	1	1	1	
5	2182	Rocker, includes Bush ... ..	1	1	1	1	1	
	354 068 X1	Pin-Cotter ... ..	1	1	1	1	1	
	75PS290B	Pin-Clevis-Yoke to Rocker ... ..	1	1	1	1	1	
7	1240	Bush-Rocker Pin ... ..	1	1	1	1	1	
8	4114	Pin Assembly-Rocker ... ..	1	1	1	1	1	
9	2013	Linch Pin and Chain Assembly, includes:- ... ..	1	1	1	1	1	
	195 346 M1	Pin-Linch ... ..	1	1	1	1	1	
	195 347 M1	Ring-Linch Pin ... ..	1	1	1	1	1	
10	180 855 M91	Link Assembly-Upper ... ..	1	1	1	1	1	
11	1184	Bolt-Hydraulic Lift Upper Link ... ..	2	2	2	2	2	
	353 562 X1	Bolt-Hydraulic Lift Upper Link ... ..	1	1	1	1	1	
	1146	Washer ... ..	3	3	3	3	3	
	353 426 X1	Nut-Hex. ... ..	3	3	3	3	3	
12	7047	Link and Ball Assembly (Up to 200,000). use 180 855 M91 ... ..	2	2	2	2	2	
	181 351 M91	Link and Ball Assembly-R.H. ... ..		1	1	1	1	
	181 353 M91	Link and Ball Assembly-L.H. ... ..		1	1	1	1	
								] From 200,001
13	181 350 M91	Chain, Anchor and Upper Linch Pin Assembly, includes item 15 and:- ... ..	1	1	1	1	1	
	195 346 M1	Pin-Linch ... ..	1	1	1	1	1	
	195 347 M1	Ring-Linch Pin ... ..	1	1	1	1	1	
14	353 927 X1	Nut-Lower Link to Axle Housing ... ..	2	2	2	2	2	
	826 770 M1	Nut-Lower Link to Axle Housing ... ..	2	2	2	2	2	
	354 059 X1	Pin-Cotter ... ..	2	2	2	2	2	
	353 774 X1	Washer-Flat-Heavy ... ..	2	2	2	2	2	
15	195 647 M1	Pin-Link to Implement ... ..	1	1	1	1	1	
	8501	Link Assembly-Lower R.H, includes item 17 and:- ... ..	1	1	1	1	1	
	49 943X	Rivet-Clip to Lower Links ... ..	2	2	2	2	2	
17	195 646 M91	Clip and Chain Assembly, includes items 18 and 19 ... ..	2	2	2	2	2	
18	195 346 M1	Pin-Linch ... ..	2	2	2	2	2	
19	195 347 M1	Ring-Linch Pin ... ..	2	2	2	2	2	
20	1061	Chain Assembly-Drawbar ... ..	1	1	1	1	1	
21	7092	Stay-Drawbar-Lower ... ..	2	2	2	2	2	
22	7091	Stay-Drawbar-Upper ... ..	2	2	2	2	2	
23	353 560 X1	Bolt-Drawbar-Stay ... ..	4	4	4	4	4	
	353 757 X1	Washer-Flat ... ..	7	7	7	7	7	
	353 426 X1	Nut-Hex. ... ..	4	4	4	4	4	
24	8502	Link Assembly-Lower L.H, includes item 17 and:- ... ..	1	1	1	1	1	
	49 943	Rivet-Clip to Lower Links ... ..	2	2	2	2	2	
25	180 485 M1	Drawbar ... ..	1	1	1	1	1	

SM7UCZ

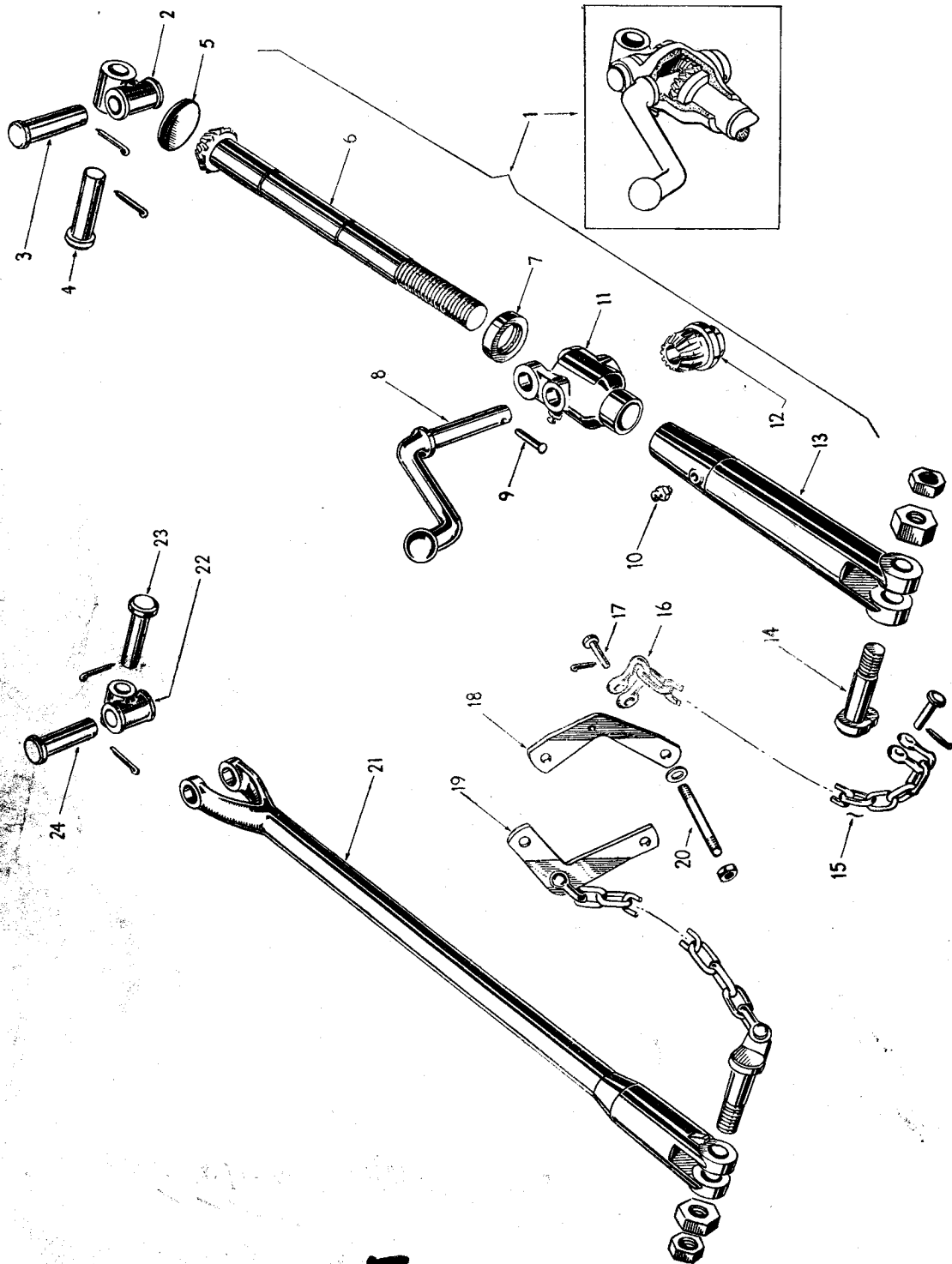


FIG. 6. SM7UCZ



**"20" TRACTOR PARTS LIST**

Ref. No.	Part No.	Description	No. Off					
			80 mm. Pet.	85 mm. Pet.	85 mm. V.O.	85 mm. L.O.	20 C Diesel	
		<b>FIG. 6. LEVELLING BOX ASSEMBLY AND RELATED PARTS</b>						
1	4002	Levelling Box Assembly, includes items 2 through 13 ... ..	1	1	1	1	1	
2	180 853 M1	Knuckle-Levelling Box to Hydraulic Lift Arm ...	1	1	1	1	1	
3 & 4	180 860 M1	Pin-Knuckle to Levelling Box ... ..	2	2	2	2	2	
	354 059 X1	Pin-Cotter ... ..	2	2	2	2	2	
5	195 644 M1	Plug-Expansion 1 3/4" ... ..	1	1	1	1	1	
6	4297	Shaft-Levelling Box ... ..	1	1	1	1	1	
7	195 457 M1	Bearing Assembly-Levelling Box ... ..	1	1	1	1	1	
8	181 349 M1	Lever-Levelling ... ..	1	1	1	1	1	
9	195 648 M1	Rivet-Levelling Lever to Box ... ..	1	1	1	1	1	
10	200 191 M1	Lubricator ... ..	2	2	2	2	2	
11	<del>181 344 M2</del> 193 31 M1	Box-Levelling Gear ... ..	1	1	1	1	1	
12	181 345 M1	Gear-Levelling Lever ... ..	1	1	1	1	1	
13	<del>4008</del> 890674	Fork-Lift Rod R.H. ... ..	1	1	1	1	1	
14	1033	Bolt-Eye-Check Chain (Refer below) ... ..	2	2	2	2	2	
	1164	Nut-Check ... ..	2	2	2	2	2	
	353 426 X1	Nut-Hex ... ..	2	2	2	2	2	
15	180 861 M91	Chain and Clevis Assembly ... ..	2	2	2	2	2	
16	180 333 M1	Clevis ... ..	4	4	4	4	4	
17	195 239 M1	Pin-Clevis ... ..	4	4	4	4	4	
	354 047 X1	Pin-Cotter ... ..	4	4	4	4	4	
18	1827	Anchor-Lower Link Check Chain R.H. ...	1	1	1	1	1	
19	1828	Anchor-Lower Link Check Chain L.H. ...	1	1	1	1	1	
20	353 701 X1	Bolt-Anchor to Centre Housing (Up to 23,937) ...	4					
	1586	Stud-Anchor to Centre Housing (From 23,938) ...		4	4	4	4	
	353 757 X1	Washer-Flat ... ..	4	4	4	4	4	
	353 432 X1	Washer-Lock ... ..	4	4	4	4	4	
	353 426 X1	Nut-Hex (From 23,938) ... ..		4	4	4	4	
21	8521	Rod-Levelling-L.H. ... ..	1	1	1	1	1	
22	180 853 M1	Knuckle-Rod to Lift Arm ... ..	1	1	1	1	1	
23 & 24	180 860 M1	Pin-Knuckle to Levelling Rod ... ..	2	2	2	2	2	
	354 059 X1	Pin-Cotter ... ..	2	2	2	2	2	
		<b>NOT ILLUSTRATED</b>						
	180 856 M91	] Eyebolt Assembly Bushings Nut-Slottee Pin-Cotter	2	2	2	2	2	
	180 859 M1		For Servicing ...	2	2	2	2	
	353 925 X1		1033 above ...	2	2	2	2	
	354 057 X1		... ..	2	2	2	2	
	SM7UCZ							

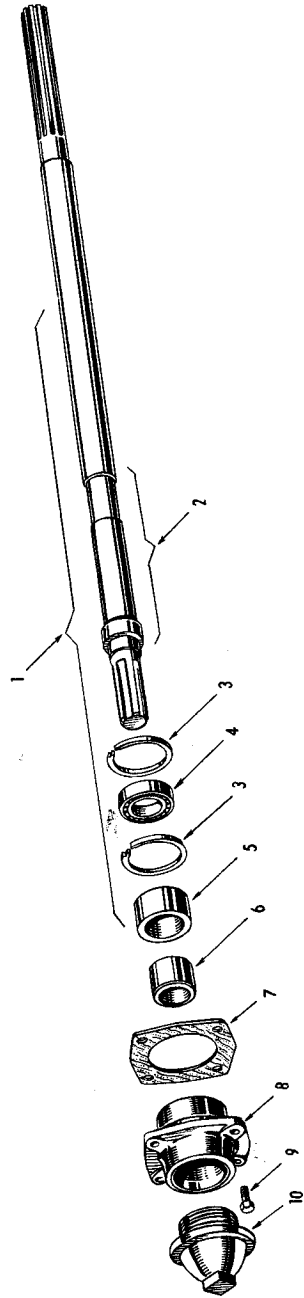


FIG.7. SM7UCZ

**'20' TRACTOR PARTS LIST**

Ref. No.	Part No.	Description	No. Off				
			80 m/m Pet.	85 m/m Pet.	85 m/m V.O.	85 m/m L.O.	20C Diesel
		<b>FIG. 7. POWER TAKE OFF ASSEMBLY.</b>					
1	7058	<b>Driver Attachment Assembly P.T.O.—Front and Rear</b> ... .. Includes Items 2 through 10	1	1	1	1	1
2	7009	<b>Shaft Assembly</b> ... ..	1	1	1	1	1
3	1134	<b>Ring—Bearing Snap</b> ... ..	2	2	2	2	2
4	AT1040	<b>Bearing—Attachment</b> ... .. <i>3 by 2 1/2 x 6 206</i>	1	1	1	1	1
5	1190	<b>Seal—Bearing</b> <i>Part box</i> ... ..	1	1	1	1	1
6	1191	<b>Sleeve</b> ... ..	1	1	1	1	1
7	1075	<b>Gasket—Cover</b> ... ..	1	1	1	1	
8	4059	<b>Cover—P.T.O. Shaft Assembly</b> ... ..	1	1	1	1	
9	353 699 X1	<b>Bolt—Cover to Centre Housing</b> ... ..	4	4	4	4	4
10	1105	<b>Cap—Cover</b> ... ..	1	1	1	1	1
	2177	<b>Circlip—Sleeve (Not illustrated)</b> ... ..	1	1	1	1	1

SM7UCZ

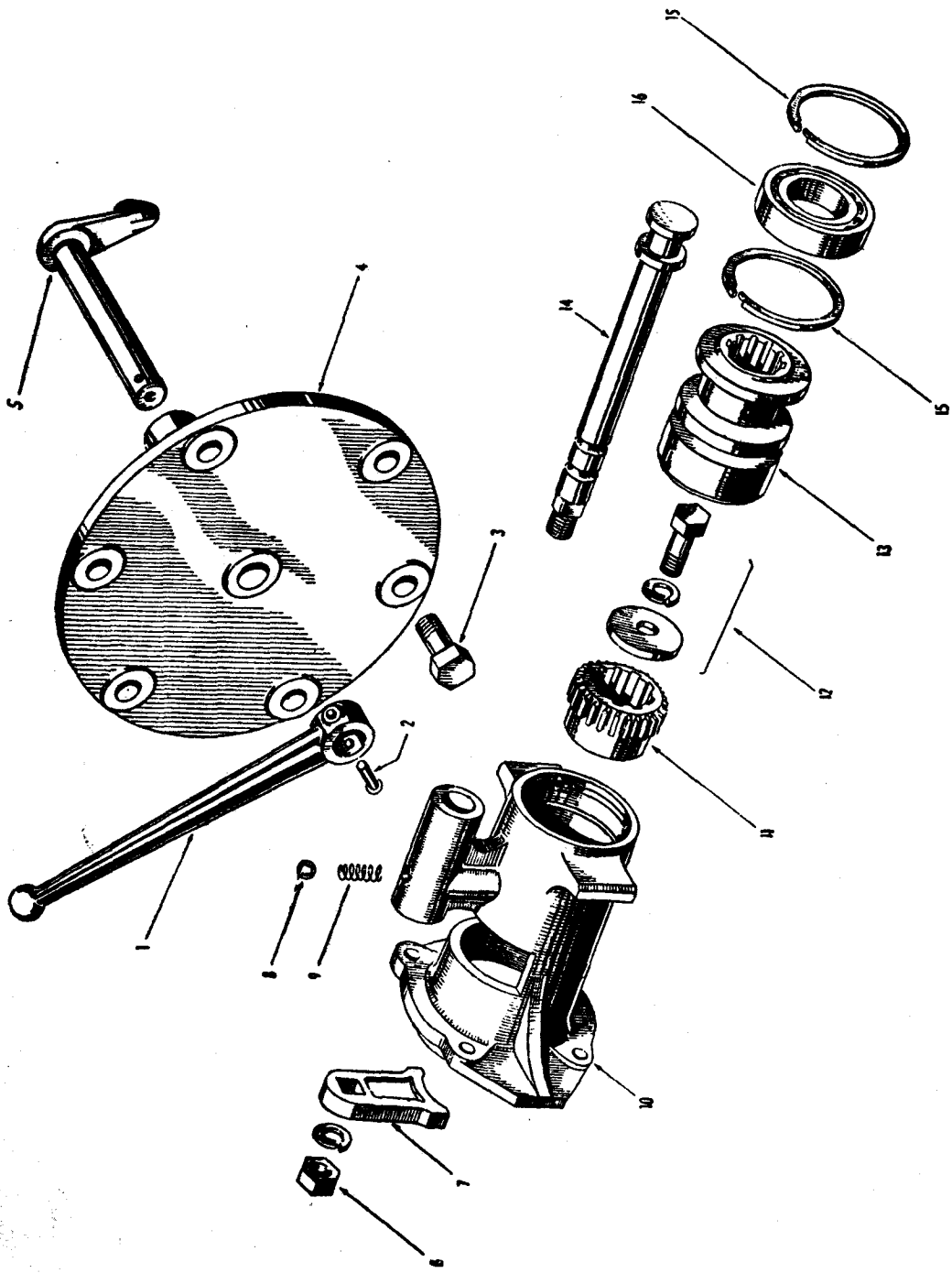


FIG. 8

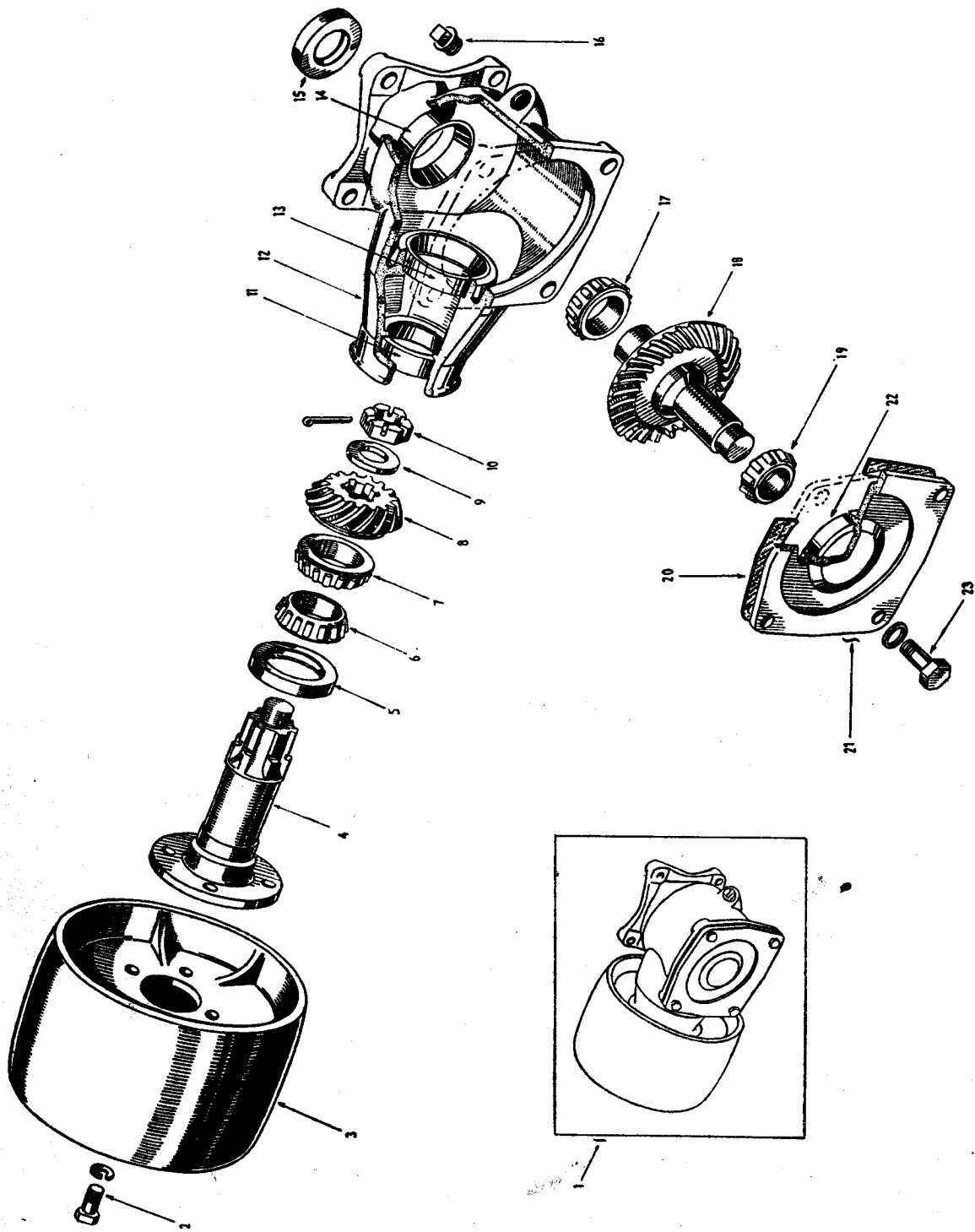
SM7UCZ

**"20" TRACTOR PARTS LIST**

Ref. No.	Part No.	Description	No. Off				
			80 m/m Pet.	85 m/m Pet.	85 m/m V.O.	85 m/m L.O.	20C Diesel
<b>FIG. 8. HYDRAULIC P.T.O. SHIFTER LEVER FORK AND RELATED PARTS.</b>							
1	1106	<b>Lever—Shifter</b> ... ..	1	1	1	1	1
2	16 906 X	<b>Rivet—Shifter Lever to Fork</b> ... ..	1	1	1	1	1
3	353 696 X1	<b>Bolt—Shifter Cover to Housing</b> ... ..	6	6	6	6	6
4	7063	<b>Cover—Shifter</b> ... ..	1	1	1	1	1
5	1104	<b>Fork—Shifter</b> ... ..	1	1	1	1	1
6	353 434 X1 353 431 X1	<b>Washer—Lock—Shifter Rail P.T.O.</b> ... .. <b>Nut—Hex.</b> ... ..	1 1	1 1	1 1	1 1	1 1
7	1103	<b>Stop—Shifter Rail</b> ... ..	1	1	1	1	1
8	1196	<b>Ball—Shifter Rail Mesh Spring</b> ... ..	1	1	1	1	1
9	1226	<b>Spring—Shifter Rail Mesh</b> ... ..	1	1	1	1	1
10	7043 201452	<b>Support—Shaft Bearing (Up to 285,932)</b> ... .. <b>Support—Shaft Bearing (285,933 and future)</b> ... ..	1 1	1 1	1 1	1 1	1 1
11	1100	<b>Hub—Clutch</b> ... ..	1	1	1	1	1
12	353 538 X1 353 434 X1 1243	<b>Bolt—Clutch Hub to Transmission</b> ... .. <b>Washer—Lock</b> ... .. <b>Washer</b> ... ..	1 1 1	1 1 1	1 1 1	1 1 1	1 1 1
13	4058	<b>Sleeve—Clutch</b> ... ..	1	1	1	1	1
14	1192	<b>Rail—Shifter</b> ... ..	1	1	1	1	1
15	1134	<b>Ring—Snap—Bearing</b> ... ..	2	2	2	2	2
16	AT1040	<b>Bearing Assembly</b> ... ..	1	1	1	1	1

SM7UCZ

FIG. 9



SM7UCZ

**“20” TRACTOR PARTS LIST**

Ref. No.	Part No.	Description	No. Off				
			80 m/m Pet.	85 m/m Pet.	85 m/m V.O.	85 m/m L.O.	20C Diesel
		<b>FIG. 9. PULLEY ATTACHMENT ASSEMBLY (Accessory to Tractor)</b>					
1	2190	<b>Pulley Attachment Assembly, Includes Items 2 through 23</b> ... ..	1	1	1	1	1
2	353 558 X1 353 432 X1	<b>Bolt—Pulley to Shaft</b> ... .. <b>Washer—Lock</b> ... ..	4 4	4 4	4 4	4 4	4 4
3	182 807 M1	<b>Pulley Assembly—P.T.O....</b> ... ..	1	1	1	1	1
4	4060	<b>Shaft—Pulley</b> ... ..	1	1	1	1	1
5	1195	<b>Seal—Oil</b> ... ..	1	1	1	1	1
6		<b>Cone and Roller—Pulley Shaft to Housing.</b> Not serviced separately. Order 1850 222 M91 Bearing Assembly ... ..					
7		<b>Cone and Roller—Driven Gear.</b> Not serviced separately. Order 1850 222 M91 Bearing Assembly ... ..					
8		<b>Gear—Driven.</b> Not serviced separately. Matched with Item 18. Order 2185 Assembly.					
9	353 774 X1	<b>Washer—Driven Gear to Shaft</b> ... ..	1	1	1	1	1

SM7UCZ

**“20” TRACTOR PARTS LIST**

Ref. No.	Part No.	Description	No. Off				
			80 m/m Pet.	85 m/m Pet.	85 m/m V.O.	85 m/m L.O.	20C Diesel
10	1993 354 053 X1	<b>Nut—Driven Gear to Shaft</b> ... .. <b>Pin—Cotter</b> ... ..	1	1	1	1	1
11		<b>Cup—Bearing—Pulley Shaft. Not serviced</b> <b>separately. Order 1850 222 M91 Bearing</b> <b>Assembly</b> ... ..					
12	8527	<b>Housing—P.T.O.</b> ... ..	1	1	1	1	1
13		<b>Cup—Bearing—Driven Gear. Not serviced</b> <b>separately. Order 1850 222 M91 Bearing</b> <b>Assembly.</b> ... ..					
14		<b>Cup—Bearing—Drive Gear. Not serviced</b> <b>separately. Order 1850 222 M91 Bearing</b> <b>Assembly.</b>					
15	1194	<b>Seal—Oil</b> ... ..	1	1	1	1	1
16	1199	<b>Plug—Oil Drain</b> ... ..	1	1	1	1	1
17		<b>Cone and Roller—Drive Gear. Not serviced</b> <b>separately. Order 1850 222 M91 Bearing</b> <b>Assembly</b> ... ..					
18		<b>Gear—Shaft—Drive. Not serviced separately.</b> <b>Matched with Item 8. Order 2185 Assembly</b>					
19		<b>Cone and Roller—P.T.O. Pilot Gear. Not</b> <b>serviced separately. Order 4064 Bearing</b> <b>Assembly.</b> ... ..					

SM7UCZ



**"20" TRACTOR PARTS LIST**

Ref. No.	Part No.	Description	No. Off				
			80 m/m Pet.	85 m/m Pet.	85 m/m V.O.	85 m/m L.O.	20C Diesel
20	4103	Gasket—.020" to .023" } ... ..	A.R.	A.R.	A.R.	A.R.	A.R.
	4104	Gasket—.016" to .019" } P.T.O. Housing	A.R.	A.R.	A.R.	A.R.	A.R.
	4105	Gasket—.012" to .015" } Cover ...	A.R.	A.R.	A.R.	A.R.	A.R.
21	4102	Cover—P.T.O. ... ..	1	1	1	1	1
22		Cup—Bearing—P.T.O. Pilot Gear. Not serviced separately. Order 4064 Bearing Assembly. ...					
23	353 699 X1	Bolt—Cover to Housing ... ..	4	4	4	4	4
	353 432 X1	Washer—Lock ... ..	4	4	4	4	4
<b>NOT ILLUSTRATED.</b>							
	1850 222 M91	Bearing Assembly ... ..	3	3	3	3	3
	4064	Bearing Assembly ... ..	1	1	1	1	1
	2185	Gear Assembly—Matched ... ..	1	1	1	1	1

SM7UCZ

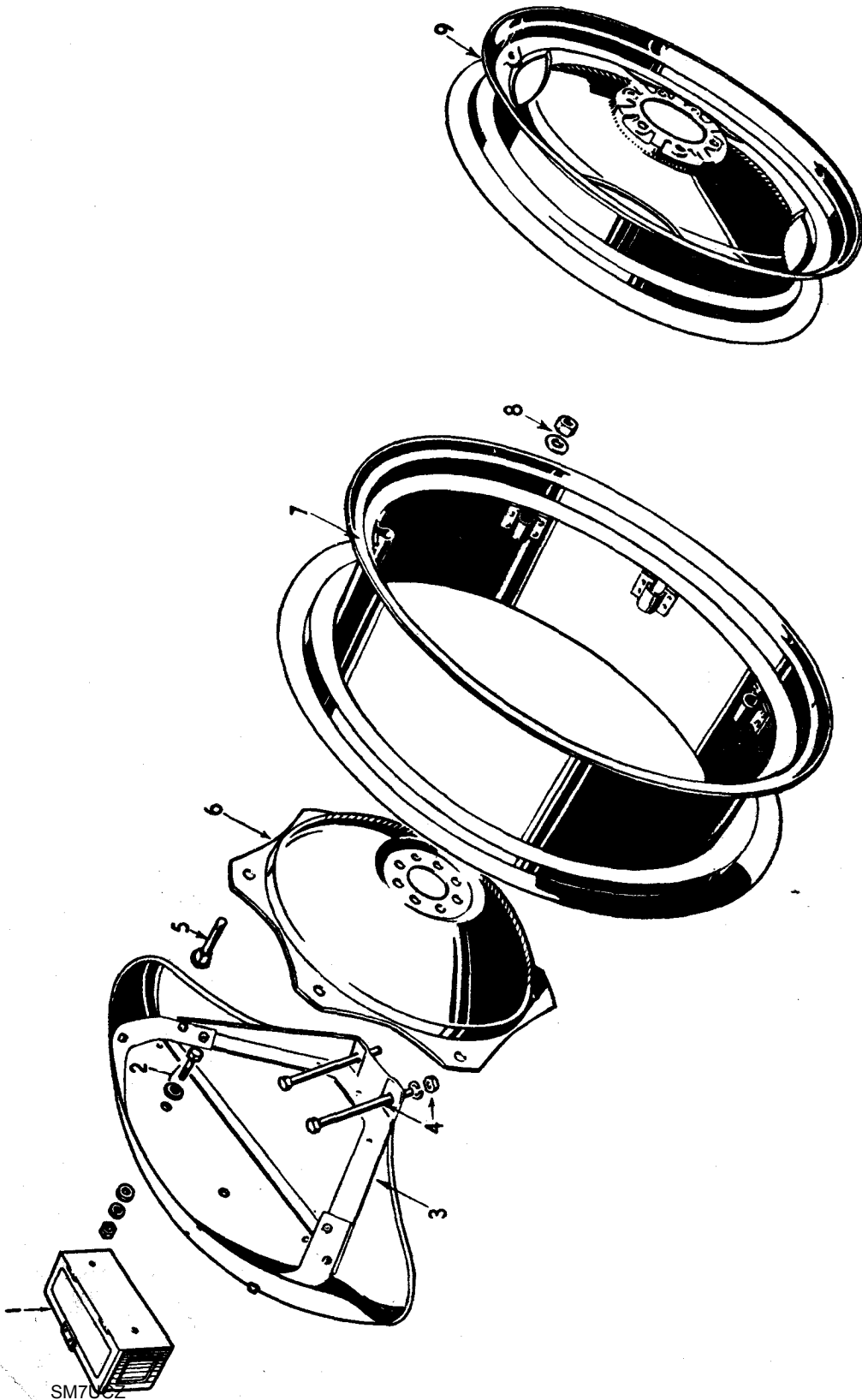


FIG. 10

SM7062

Ref. No.	Part No.	Description	No. Off				
			80 m/m Pet.	85 m/m Pet.	85 m/m V.O.	85 m/m L.O.	20C Diesel
<b>FIG. 10. WHEELS, FENDERS AND TOOL BOX</b>							
1	825 633 M91	<b>Tool Box Assembly</b> ... ..					1
2	354 403 X1	<b>Bolt—Tool Box Attachment</b> ... ..					2
	353 772 X1	<b>Washer—Flat—Heavy</b> ... ..					2
	353 757 X1	<b>Washer—Flat</b> ... ..					2
	353 432 X1	<b>Washer—Lock</b> ... ..					2
	355 645 X1	<b>Nut—Hex.</b> ... ..					2
		Up to 478,526					
3	827 351 M91	<b>Fender Assembly—R.H. &amp; L.H.</b> ... ..	2	2	2	2	2
4	353 648 X1	<b>Bolt—Fender to Rear Axle Housing</b> ... ..	4	4	4	4	4
	353 427 X1	<b>Nut—Hex.</b> ... ..	4	4	4	4	4
	353 433 X1	<b>Washer—Lock</b> ... ..	4	4	4	4	4
5	180 876 M1	<b>Bolt—Rim to Disc—Rear Wheel</b> ... ..	12	12	12	12	12
6	827 194 M1	<b>Disc—Scalloped—Rear Wheel</b> ... ..	2	2	2	2	2
7	827 187 M91	<b>Rim—Rear Wheel (Welded)</b> ... ..	2	2	2	2	2
8	353 427 X1	<b>Nut—Rim to Disc—Rear Wheel</b> ... ..	12	12	12	12	12
	353 774 X1	<b>Washer—Flat—Heavy</b> ... ..	12	12	12	12	12
9	827 168 M1	<b>Wheel—Front—Scalloped Centre</b> ... ..	2	2	2	2	2
<b>NOT ILLUSTRATED</b>							
	825 797 M1	<b>Driver—Screw</b> ... ..					1
	827 432 M1	<b>Bar—Tommy</b> ... ..					1
	827 433 M1	<b>Spanner—Tube</b> ... ..					1
	827 434 M1	<b>Wrench—Adjustable</b> ... ..					1
	827 435 M1	<b>Wrench—<math>\frac{5}{16}</math>" and <math>\frac{3}{8}</math>" Hex.</b> ... ..					1
	825 799 M1	<b>Spanner—Tube—Plug</b> ... ..					1
	827 436 M1	<b>Wrench—<math>\frac{7}{16}</math>" and <math>\frac{5}{8}</math>" Hex.</b> ... ..					1
	825 844 M91	<b>Gun—Grease</b> ... ..					1
	825 798 M1	<b>Pliers</b> ... ..					1
	2481	<b>Wrench—<math>\frac{5}{16}</math>"—Socket Screw (Up to 330,043)</b> ... ..					1
	107613	<b>Spanner—Special Ring</b> ... ..					1
	103627	<b>Spanner—Open Ended (<math>\frac{7}{16}</math>" Whit. x <math>\frac{5}{16}</math>" Whit. Hex.)</b> ... ..					1
	103626	<b>Spanner—Open Ended (<math>\frac{1}{4}</math>" Whit. x <math>\frac{7}{16}</math>" American)</b> ... ..					1
	4164	<b>Starting Handle</b> ... ..					1
	201410	<b>Starting Handle Assembly</b> ... ..					1
	827 081 M91	<b>Starting Handle Assembly</b> ... ..					1
	827 082 M1	<b>Tube Extension—Starting Handle</b> ... ..					1
	2643	<b>Retainer Bracket—Starting Handle</b> ... ..					1

SM7UCZ

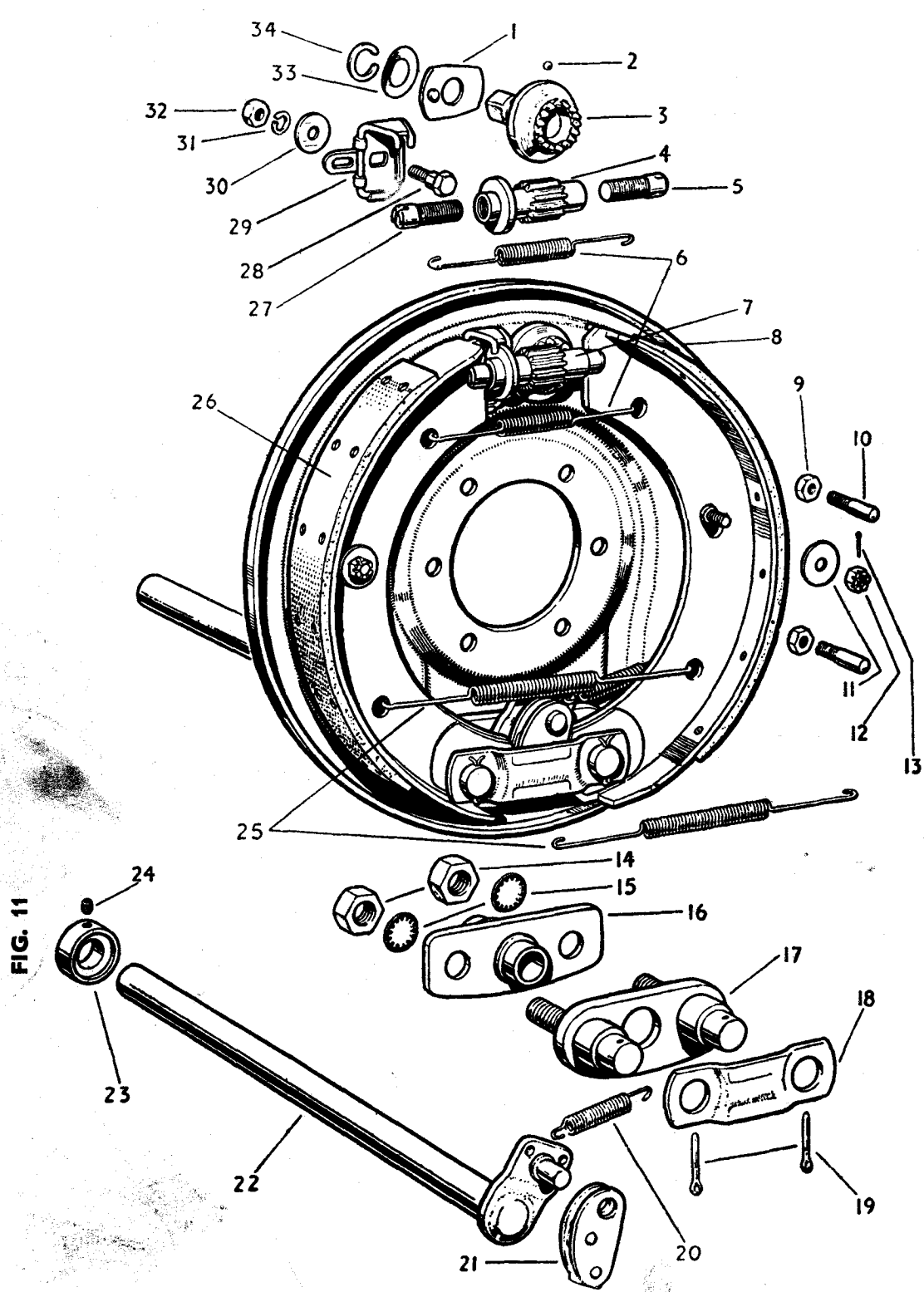


FIG. 11

SM7UCZ

"20" TRACTOR PARTS LIST

Ref. No.	Part No.	Description	No. Off				
			80 mm. Pet.	85 mm. Pet.	85 mm. V.O.	85 mm. L.O.	20 C Diesel
FIG.11. BRAKE ASSEMBLY							
			(Fitted in production up to 200,000th Tractor)				
	9525	Brake Assembly-L.H. ...	1	1	1	1	
	9526	Brake Assembly-R.H. (illustrated) ... each includes items 1 through 34	1	1	1	1	
1	2555	Plate-Crown Wheel Ball ...	2	2	2	2	
2	1538	Ball-Crown Wheel ...	2	2	2	2	
3	1537	Wheel-Crown ...	2	2	2	2	
4	1520	Pinion-Adjuster ...	2	2	2	2	
5	1521	Screw-Adjuster-L.H. ...	2	2	2	2	
6	4188	Spring-Adjuster Screw ...	2	2	2	2	
7	1519	Adjuster Assembly, includes items 4, 5 and 27	2	2	2	2	
8	8578	Plate-Back-L.H. ...	1	1	1	1	
	8579	Plate-Back-R.H. ...	1	1	1	1	
9	1529	Nut-Back Plate Steady Post ...	8	8	8	8	
10	1528	Post-Steady-Back Plate ...	8	8	8	8	
11	825 557 M1	Washer-Spacer Pin ...	4	4	4	4	
12	825 573 M1	Nut-"Simmonds"-Spacer Pin ...	4	4	4	4	
13	354 041 X1	Cotter-Spacer Pin (Not required when 1999 is fitted) ...	4	4	4	4	
14	1523	Nut-Anchor Pin ...	4	4	4	4	
15	2678	Washer-Anchor Pin ...	4	4	4	4	
16	4187	Bearing-Control Shaft ...	2	2	2	2	
17	4183	Pin and Plate Assembly-Anchor ...	2	2	2	2	
18	1527	Strut-Anchor Pin ...	2	2	2	2	
19	354 061 X1	Pin-Cotter-Anchor Pin ...	4	4	4	4	
20	4189	Spring-Crank Lever Return ...	2	2	2	2	
21	1530	Plate and Block Assembly-Cam ...	2	2	2	2	
22	4186	Shaft and Crank Assembly-Control ...	2	2	2	2	
23	1535	Collar-Control Shaft ...	2	2	2	2	
24	1536	Screw-Set-Control Shaft Collar ...	2	2	2	2	
25	1544	Spring-Primary-Secondary ...	2	2	2	2	
26	7118	Shoe and Lining Assembly (Pair)-Rivettted	2	2	2	2	] Alt.
	509220	Shoe and Lining Assembly (Pair)-Bonded	2	2	2	2	
27	1522	Screw-Adjuster-R.H. ...	2	2	2	2	
28	825 550 M1	Bolt-Centraliser ...	2	2	2	2	
29	825 590 M1	Centraliser-L.H. ...	1	1	1	1	
	825 591 M1	Centraliser-R.H. ...	1	1	1	1	
30	825 551 M1	Washer-Centraliser ...	2	2	2	2	
31	827 157 M1	Washer-Lock-Centraliser ...	2	2	2	2	
32	827 156 M1	Nut-Centraliser ...	2	2	2	2	
33	1540	Washer-Lock-Crown Wheel ...	2	2	2	2	
34	1541	Ring-Lock-Crown Wheel ...	2	2	2	2	

SM7UCZ

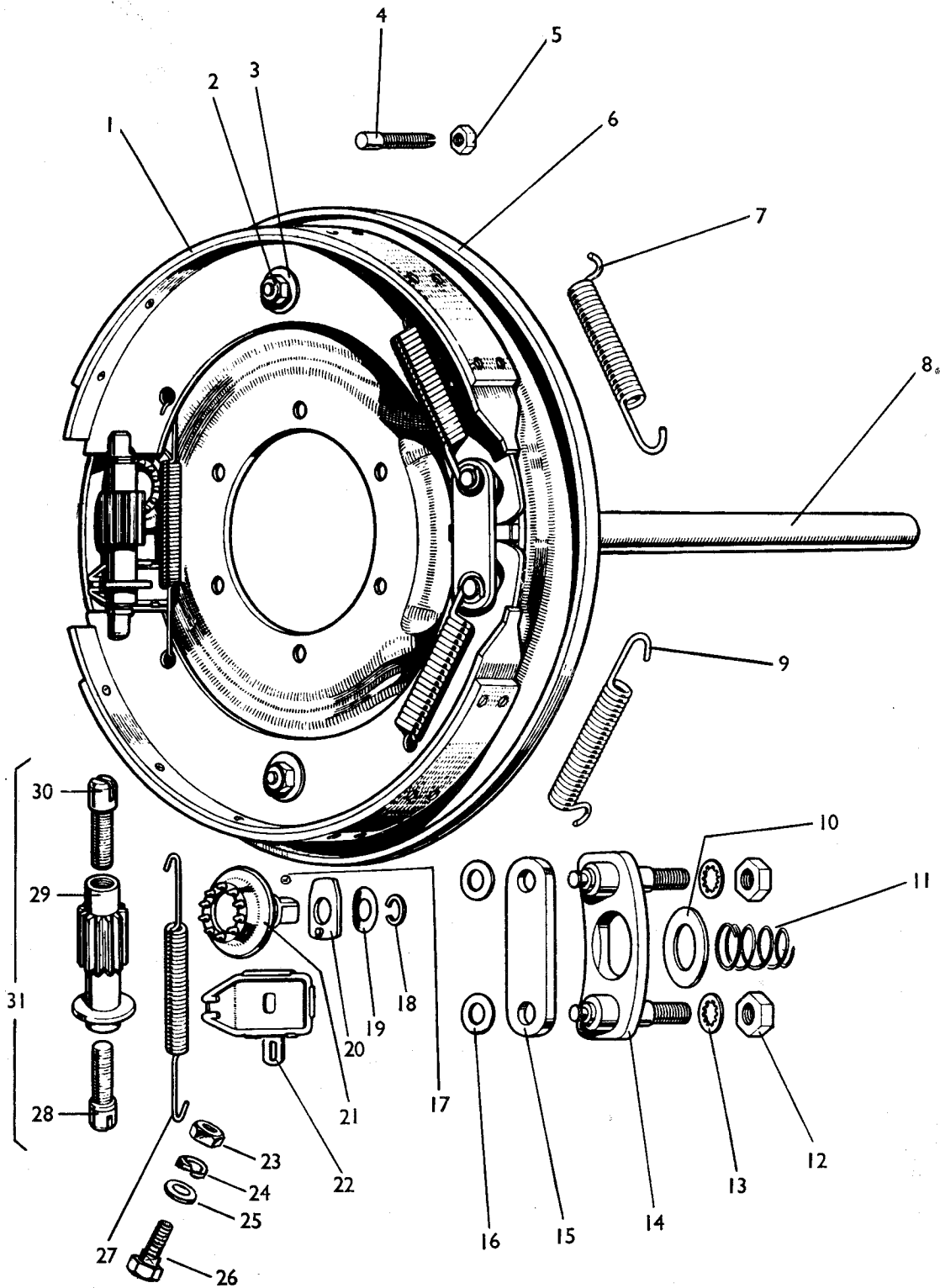


FIG. 15M7UCZ

CTP 253

**"20" TRACTOR PARTS LIST**

Ref. No.	Part No.	Description	No. Off					
			80 mm. Pet.	85 mm. Pet.	85 mm. V.O.	85 mm. L.O.	20 C Diesel	
		<b>FIG.11A BRAKE ASSEMBLY-FLOATING CAM DOUBLE ACTION</b>						
			(Fitted in production from 200,001st Tractor).					
	9691	Brake and Lining Assembly-L.H. ... ..		1	1	1	1	1
	9692	Brake Assembly-R.H.(Illustrated) each includes items 1 through 31		1	1	1	1	1
1	825 079 M91	Shoe and Lining Assembly (Pairs) ] Alt. Bonded		2	2	2	2	2
	825 764 M91	Shoe and Lining Assembly (Pairs) ]		2	2	2	2	2
	829 058 M91	Shoe and Lining Assembly ] Alt. (rivetted) Pairs		2	2	2	2	2
	829 059 M91	Shoe and Lining Assembly ]		2	2	2	2	2
2	825 573 M1	Nut-'Simmonds'-Spacer Pin ... ..		4	4	4	4	4
3	825 557 M1	Washer-Spacer Pin ... ..		4	4	4	4	4
4	1528	Post-Steady-Back Plate ... ..		8	8	8	8	8
5	1529	Nut-Back Plate Steady Post ... ..		8	8	8	8	8
6	8754	Plate Assembly-Backing-L.H. ... ..		1	1	1	1	1
	8755	Plate Assembly-Backing-R.H. ... ..		1	1	1	1	1
7	825 063 M1	Spring-Primary (Blue) R.H.Brake ... ..		1	1	1	1	1
	825 064 M1	Spring-Secondary (Red) L.H. Brake ... ..		1	1	1	1	1
8	7343	Cam Shaft-L.H.-Brake Actuating ... ..		1	1	1	1	1
	7344	Cam Shaft-R.H.-Brake Actuating ... ..		1	1	1	1	1
9	825 064 M1	Spring-Secondary- (Red) R.H.Brake ... ..		1	1	1	1	1
	825 063 M1	Spring-Primary- (Blue)L.H.Brake ... ..		1	1	1	1	1
10	825 040 M1	Plate-Cover-Camshaft ... ..		2	2	2	2	2
11	825 041 M1	Spring-Cover Plate ... ..		2	2	2	2	2
12	1523	Nut-Anchor Pin ... ..		4	4	4	4	4
13	2678	Washer-Anchor Pin ... ..		4	4	4	4	4
14	4480	Pin and Plate Assembly-Anchor ... ..		2	2	2	2	2
15	825 039 M1	Plate-Anchor Pin ... ..		2	2	2	2	2
16	2674	Washer-Anchor Pin Plate ... ..		4	4	4	4	4
17	1538	Ball-1/4" dia.-Crown Wheel ... ..		2	2	2	2	2
18	1541	Ring-Lock-Crown Wheel ... ..		2	2	2	2	2
19	1540	Washer-Lock-Crown Wheel ... ..		2	2	2	2	2
20	2555	Plate-Retaining ... ..		2	2	2	2	2
21	1537	Wheel-Crown ... ..		2	2	2	2	2
22	825 590 M1	Centraliser Assembly-L.H. ... ..		1	1	1	1	1
	825 591 M1	Centraliser Assembly-R.H. ... ..		1	1	1	1	1
23	827 156 M1	Nut-Centraliser ... ..		2	2	2	2	2
24	827 157 M1	Washer-Lock-Centraliser ... ..		2	2	2	2	2
25	825 551 M1	Washer-Centraliser ... ..		2	2	2	2	2
26	825 550 M1	Bolt-Centraliser ... ..		2	2	2	2	2
27	4188	Spring-Adjusting Screw ... ..		2	2	2	2	2
28	825 047 M1	Screw-Adjuster-R.H. ... ..		2	2	2	2	2
29	1520	Pinion-Adjuster ... ..		2	2	2	2	2
30	825 046 M1	Screw-Adjuster-L.H. ... ..		2	2	2	2	2
31	2578	Adjuster Assembly, includes items 28, 29 and 30		2	2	2	2	2
		<b>NOT ILLUSTRATED</b>						
	1851 062 M91	Linings & Rivets Kit (for 829 059 M91 and 865 764 M91) ... ..		AR	AR	AR	AR	AR
	1851 063 M91	Linings & Rivets Kit (for 829 058 M91 and 865 079 M91) ... ..		AR	AR	AR	AR	AR
	SM7UCZ	each includes 2 Linings and 24 Rivets only						

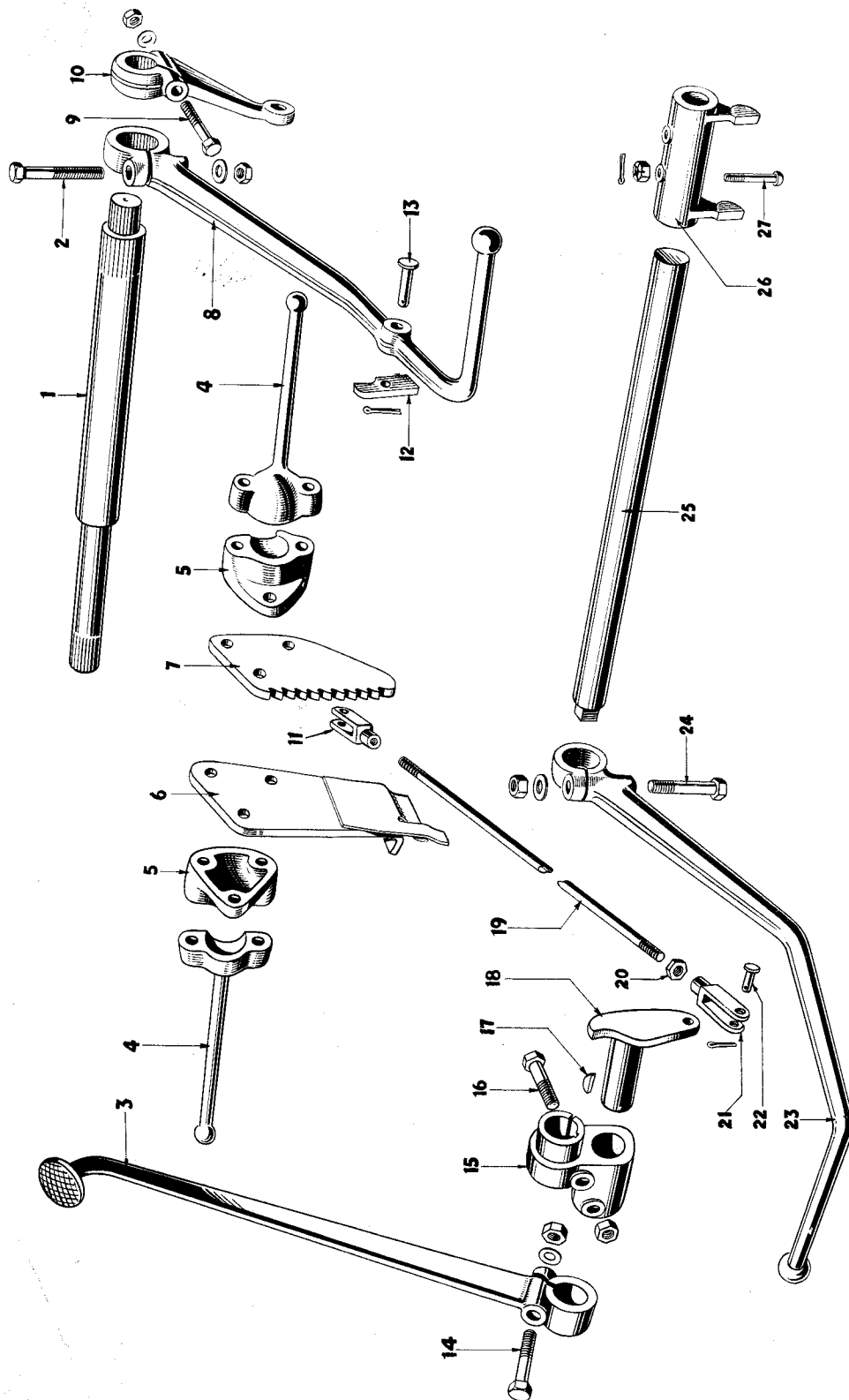


FIG. 12.SM7UCZ



**“20” TRACTOR PARTS LIST**

Ref. No.	Part No.	Description	No. Off				
			80 m/m Pet.	85 m/m Pet.	85 m/m V.O.	85 m/m L.O.	20C Diesel
<b>FIG. 12. BRAKE RODS, PEDALS AND RELATED PARTS.</b>							
1	4305	Shaft—Brake Cross ... ..	1	1	1	1	1
	1826	Washer—L.H. } Use with Electron ... ..	1	1	1	1	1
	1825	Washer—R.H. } Trans. Housing ... ..	1	1	1	1	1
2	353 710 X1	Bolt—Combine Brake Pedal ... ..	1	1	1	1	1
	355 645 X1	Nut—Hex. ... ..	1	1	1	1	1
	353 757 X1	Washer—Flat ... ..	1	1	1	1	1
3	4352	Pedal Assembly—Brake L.H. ... ..	1	1	1	1	
	4351	Pedal Assembly—Brake R.H. ... ..	1	1	1	1	
	201352	Pedal Assembly—Brake L.H. ... ..					1
	201351	Pedal Assembly—Brake R.H. ... ..					1
4	180 867 M1	Cap—Radius Rod Ball ... ..	2	2	2	2	2
5	180 869 M1	Spacer—Radius Rod Ball ... ..	2	2	2	2	2
	180 868 M1	Shim ... ..	A.R.	A.R.	A.R.	A.R.	A.R.
6	4266	Stop—Clutch Pedal ... ..	1	1	1	1	
	4475	Stop and Shield Assembly—Clutch Pedal ...					1
7	4145	Sector—Pawl—Combined Brake ... ..	1	1	1	1	
	4334	Sector—Pawl—Combined Brake ... ..					1
8	7097	Pedal—Combined Brake ... ..	1	1	1	1	1
9	353 686 X1	Bolt—Combined Brake Arm ... ..	2	2	2	2	2
	355 565 X1	Nut—Hex. ... ..	2	2	2	2	2
	353 755 X1	Washer—Flat ... ..	2	2	2	2	2
10	4269	Arm—Combined Brake L.H. ... ..	1	1	1	1	1
	4270	Arm—Combined Brake R.H. ... ..	1	1	1	1	1
11	1317	Fork End—Brake Rod ... ..	2	2	2	2	2

SM7UCZ

"20" TRACTOR PARTS LIST

Ref. No.	Part No.	Description	No. Off				
			80 m/m Pet.	85 m/m Pet.	85 m/m V.O.	85 m/m L.O.	20C Diesel
12	1312	<b>Pawl</b> —Combined Brake (Up to 441,823) ...	1	1	1	1	1
	181 149 M1	<b>Actuator</b> —Parking Brake } 441,824 ...		1	1	1	1
	180 809 M1	<b>Spring</b> —Parking Brake } and ...		1	1	1	1
	181 150 M1	<b>Latch</b> —Parking Brake } Future ...		1	1	1	1
13	31PS106B	<b>Pin</b> —Clevis—Brake Pawl } Up to 441,823 ...	1	1	1	1	1
	354 046 X1	<b>Pin</b> —Cotter } ...	1	1	1	1	1
	195242M1	<b>Pin</b> —Clevis } 441,824 and future ...		1	1	1	1
	354 063 X1	<b>Pin</b> —Cotter } ...		1	1	1	1
14	353 707 X1	<b>Bolt</b> —Brake Pedal R.H. and L.H. ...	2	2	2	2	2
	355 645 X1	<b>Nut</b> —Hex. ...	2	2	2	2	2
	353 757 X1	<b>Washer</b> —Flat ...	2	2	2	2	2
15	1821	<b>Linkage</b> —Brake L.H. ...	1	1	1	1	1
	1822	<b>Linkage</b> —Brake R.H. ...	1	1	1	1	1
	1309	<b>Bush</b> —Brake Linkage ...	2	2	2	2	2
	200 191 M1	<b>Lubricator</b> —Brake Linkage ...	2	2	2	2	2
16	353 708 X1	<b>Bolt</b> —Brake Linkage ...	2	2	2	2	2
	355 645 X1	<b>Nut</b> —Hex. ...	2	2	2	2	2
	353 757 X1	<b>Washer</b> —Flat ...	2	2	2	2	2
17	1343	<b>Key</b> —Woodruff (Up to 200,000) ...	2	2	2	2	
	KW0636	<b>Key</b> —Woodruff (200,001 and future) ...		2	2	2	2
18	1515	<b>Stop Assembly</b> —L.H. ...	1	1	1	1	1
	1516	<b>Stop Assembly</b> —R.H. ...	1	1	1	1	1
19	1518	<b>Rod</b> —Brake ...	2	2	2	2	
	2281	<b>Rod</b> —Brake ...					2

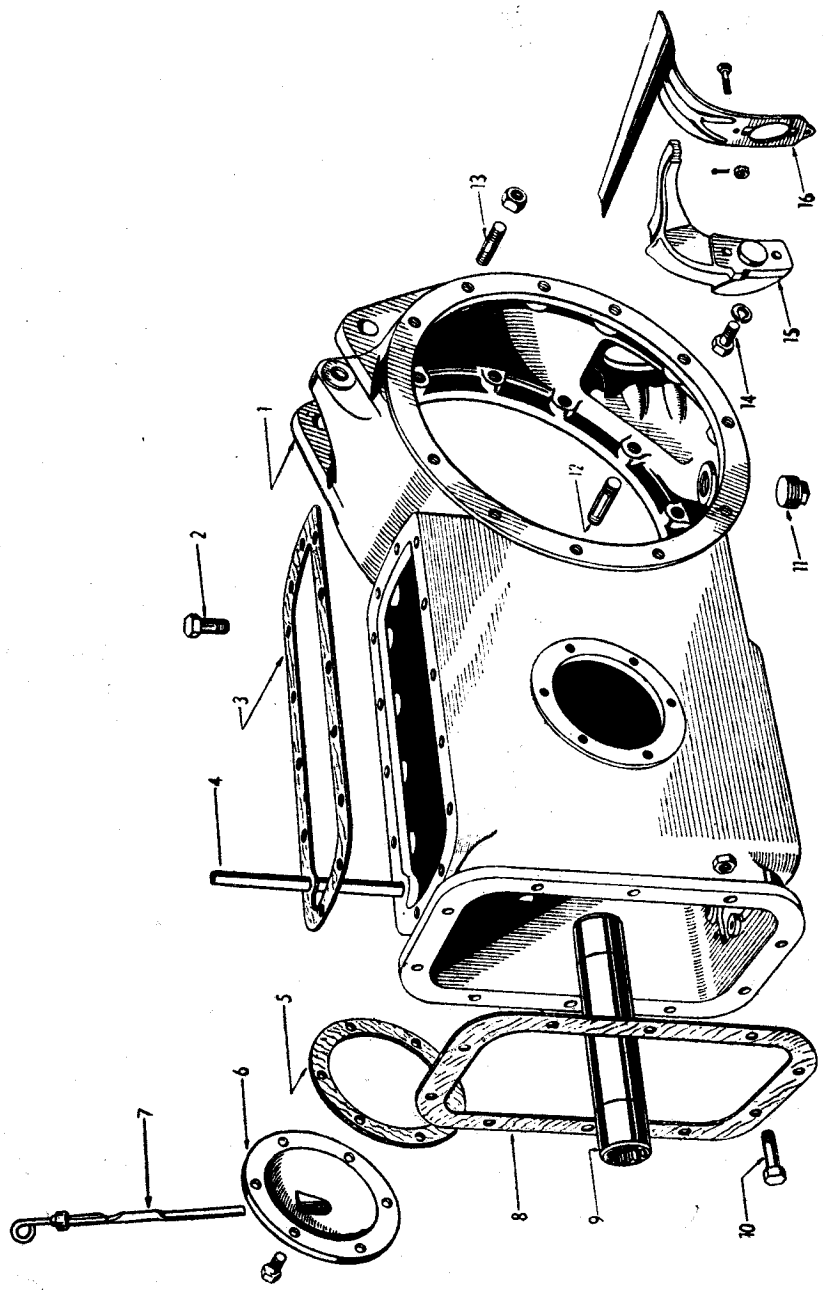
SM7UCZ

**“20” TRACTOR PARTS LIST**

Ref. No.	Part No.	Description	No. Off				
			80 m/m Pet.	85 m/m Pet.	85 m/m V.O.	85 m/m L.O.	20C Diesel
20	375 109 X1	<b>Nut—Hex.—Jam</b> ... ..	2	2	2	2	2
21	825 538 M1	<b>Fork End—Brake Rod</b> ... ..	2	2	2	2	2
22	825 715 M1	<b>Pin—Clevis</b> ... ..	4	4	4	4	4
	354 048 X1	<b>Pin—Cotter</b> ... ..	4	4	4	4	4
23	7154	<b>Pedal—Clutch</b> ... ..	1	1	1	1	
	7274	<b>Pedal—Clutch</b> ... ..					1
24	353 710 X1	<b>Bolt—Clutch Pedal</b> ... ..	1	1	1	1	
	103104	<b>Bolt—Clutch Pedal</b> ... ..					1
	355 645 X1	<b>Nut—Hex.</b> ... ..	1	1	1	1	1
	353 432 X1	<b>Washer—Lock</b> ... ..	1	1	1	1	1
25	1303	<b>Shaft—Clutch Release</b> ... ..	1	1	1	1	1
26	4127	<b>Fork—Clutch Shaft</b> ... ..	1	1	1	1	1
27	25FSR175BTD	<b>Screw—Clutch Shaft Fork</b> ... ..	2	2	2	2	2
	353 922 X1	<b>Nut—Slotted</b> ... ..	2	2	2	2	2
	354 040 X1	<b>Pin—Cotter</b> ... ..	2	2	2	2	2

SM7UCZ

FIG. 13



SM7UCZ

**“20” TRACTOR PARTS LIST**

Ref. No.	Part No.	Description	No. Off				
			80 m/m Pet.	85 m/m Pet.	85 m/m V.O.	85 m/m L.O.	20C Diesel
<b>FIG. 13. CENTRE AXLE HOUSING AND RELATED PARTS</b>							
1	9516 400210	Housing Assembly—Centre—Rear Axle ... Housing Assembly—Centre—Rear Axle ...	1	1†	1†	1†	1†
2	353 710 X1 353 702 X1 353 719 X1	Bolt—Hydraulic Lift Cover ... .. Bolt—Hydraulic Lift Cover ... .. Bolt—Hydraulic Lift Cover ... ..	3 7 4	3 7 4	3 7 4	3 7 4	3 7 4
3	7042	Gasket—Hydraulic Lift Cover ... ..	1	1	1	1	1
4	1026	Tube—Oil ... ..	1	1	1	1	1
5	1077	Gasket—Side Cover <i>181212 M1</i> ...	2	2	2	2	2
6	4083 353 696 X1	Cover Assembly—Centre Housing Side ... Bolt—Side Cover ... ..	1 6	1 6	1 6	1 6	1 6
7	1139	Indicator—Oil Level ... ..	1	1	1	1	1
8	181 363 M1	Gasket—Centre Housing to Trans. Housing ...	1	1	1	1	1
9	4381	Shaft Assembly—Drive ... ..	1	1	1	1	1
10	353 564 X1 353 426 X1 353 701 X1 353 564 X1 353 426 X1	Bolt—Transmission Case to Centre Housing ... Nut—Hex. ... .. Screw—Set ... .. Bolt—Transmission Case to Centre Housing ... Nut—Hex. ... ..	7 7 3 9 9	7* 7* 4 9 9	7* 7* 4 9 9	7* 7* 4 9 9	4 9 9
11	195251M1	Plug—Drain—Centre Housing ... ..	1	1	1	1	1
12	1249 353 428 X1	Stud—Muffler Clamp to Centre Housing ... Nut—Hex.—Jam ... ..	1 1	1 1	1 1	1 1	1 1
13	1249 353 426 X1 353 702 X1	Stud—Axle Shaft Housing to Centre Housing (20 off up to 325,000) ... .. Nut—Axle Shaft Housing to Centre Housing (20 off up to 325,000) ... .. Bolt—Rocker Pin Chain (Not illustrated) ...	20 20 1	28 28 1	28 28 1	28 28 1	28 28 1
14	353 691 X1 353 434 X1	Bolt—Thrust Block to Housing ... .. Washer—Lock ... ..	2 2	2 2	2 2	2 2	2 2
15	7015 1502 1503 1504 825 774 M1	Block—Thrust—Driving Gear ... .. Shim—Thrust Block .002" ... .. Shim—Thrust Block .003" ... .. Shim—Thrust Block .005" ... .. Block—Thrust—Driving Gear ... ..	1 A.R. A.R. A.R. 1‡	1† A.R. A.R. A.R. 1‡	1† A.R. A.R. A.R. 1‡	1† A.R. A.R. A.R. 1‡	1† A.R. A.R. A.R. 1‡
16	4019 181 225 M91 354 007 X1 353 922 X1 354 040 X1	Trough Assembly—Diff. Bearing ... .. Trough Assembly—Diff. Bearing ... .. Bolt—Trough to Housing ... .. Nut—Slotted ... .. Pin—Cotter ... ..	1 1 2 2 2	1† 1‡ 2 2 2	1† 1‡ 2 2 2	1† 1‡ 2 2 2	1† 1‡ 2 2 2
<b>NOT ILLUSTRATED</b>							
	104104	Bracket—Retainer—Starting Handle ... ..					1
		* Up to 200,000 † Up to 325,000 ‡ 325,001 and Future.					

SM7UCZ



"20" TRACTOR PARTS LIST

Ref. No.	Part No.	Description	No. Off					
			80 mm. Pet.	85 mm. Pet.	85 mm. V.O.	85 mm. L.O.	20 C Diesel	
		<b>FIG.14 REAR AXLE HOUSING AND RELATED PARTS</b>						
	507803	Shaft Assembly-Rear Axle-Complete ...	2	2*	2*	2*	2*	
	104688	Shaft Assembly-Rear Axle-Complete ... each includes items 1 (Stud Only) and 12-17		2+	2+	2+	2+	
1	1885	Stud-Retainer to Axle Housing ...	12	12	12	12	12	
	353 432 X1	Washer-Lock ...	12	12	12	12	12	
	353 426 X1	Nut-Hex. ...	12	12	12	12	12	
2	1076	Gasket-Housing-Outer ...	4	4	4	4	4	
3	4099	Shim .003" ...	A.R.	A.R.	A.R.	A.R.	A.R.	
	4100	Shim .005" ...	A.R.	A.R.	A.R.	A.R.	A.R.	
	4101	Shim .010" ...	A.R.	A.R.	A.R.	A.R.	A.R.	
	4268	Shim .028" ...	A.R.	A.R.	A.R.	A.R.	A.R.	
	2291	Shim .006"-Rear Axle Bearing ...	2	2*	2*	2*	2*	
4	9624	Housing-Rear Axle L.H.,inc.item 5 ...	1	1*	1*	1*		
	400206	Housing-Rear Axle L.H.,inc.items 5,6 and MP1057		1+	1+	1+		
	9678	Housing-Rear Axle L.H.,inc.item 5 and 826 974 M1					1*	
	400216	Housing-Rear Axle L.H.,inc.826 974 M1,MP1057 and items 5 and 6 ...					1+	
	9626	Housing-Rear Axle R.H.,inc.items 5 and 6 ...	1	1*	1*	1*		
	400204	Housing-Rear Axle R.H.,inc.items 5,6 and MP1057		1+	1+	1+		
	9680	Housing-Rear Axle R.H.,inc.items 5,6 & 826 974 M1					1*	
	400214	Housing-Rear Axle R.H.,inc.826 974 M1, MP1057 and items 5 and 6 ...					1+	
	MP1057	Lubricator ...		2+	2+	2+	2+	
5	1289	Bush-Brake Shaft ...	2	2	2	2	2	
6	13 710X	Plug-Expansion (1 off up to 325,000) ...	1	2	2	2	2	
7	4112	Gasket-Housing-Inner ...	2*	2*	2*	2*	2*	
	201298	Gasket-Housing-Inner ...		2+	2+	2+	2+	
8	1025	Shaft-Lower Link ...	2	2*	2*	2*	2*	
	181 229 M1	Shaft-Lower Link ...		2+	2+	2+	2+	
	353 760 X1	Washer-Flat ...	2	2	2	2	2	
	195 423 M1	Nut-Lower Link Shaft ...	2	2	2	2	2	
	1024	Plate-Lower Link ...	2	2*	2*	2*	2*	
	1011	Gasket-Lower Link Plate ...	2	2*	2*	2*	2*	
	1145	Stud-Lower Plate ...	2	2*	2*	2*	2*	
	353 426 X1	Nut-Hex. ...	2	2*	2*	2*	2*	
9	180 004 M1	Nut-Wheel Stud-Rear ...	16	16	16	16	16	
10	182 278 M1	Screw-Brake Drum ...	4	4	4	4	4	
11	827 707 M1	Drum Assembly-Brake, ...	2	2	2	2	2	
	4343	Ring-Oil Catchment ...	2	2	2	2	2	
	4344	Gasket-Oil Catchment Ring ...	2	2	2	2	2	
	16 864X	Rivet-Ring to Drum ...	24	24	24	24	24	
12	8666	Shaft Assembly-Rear Axle	2	2*	2*	2*	2*	
	117712	Shaft Assembly-Rear Axle	2	2*	2*	2*	2*	
	116624	Shaft Assembly-Rear Axle		2+	2+	2+	2+	
	1903	Button-Axle Shaft ...	2	2	2	2	2	
13	181 260 M1	Stud-Wheel-.88" dia.Head for 116624 & 117712 ...	16	16	16	16	16	
	1187	Stud-Wheel- 1" dia Flatted Head for 8666 & 300894	16	16	16	16	16	
14	2171 870000	Seal-Oil ...	2	2	2	2	2	
15	4115	Retainer-Rear Hub Bearing ...	2	2	2	2	2	
16	4023	Bearing Assembly ...	2	2	2	2	2	
17	<del>1174</del> 890543	Collar-Axle Shaft Bearing ...	2	2	2	2	2	
18	104628	Seal-Oil ...		2+	2+	2+	2+	

\* Up to 325,000  
+ From 325,001

SM7UCZ

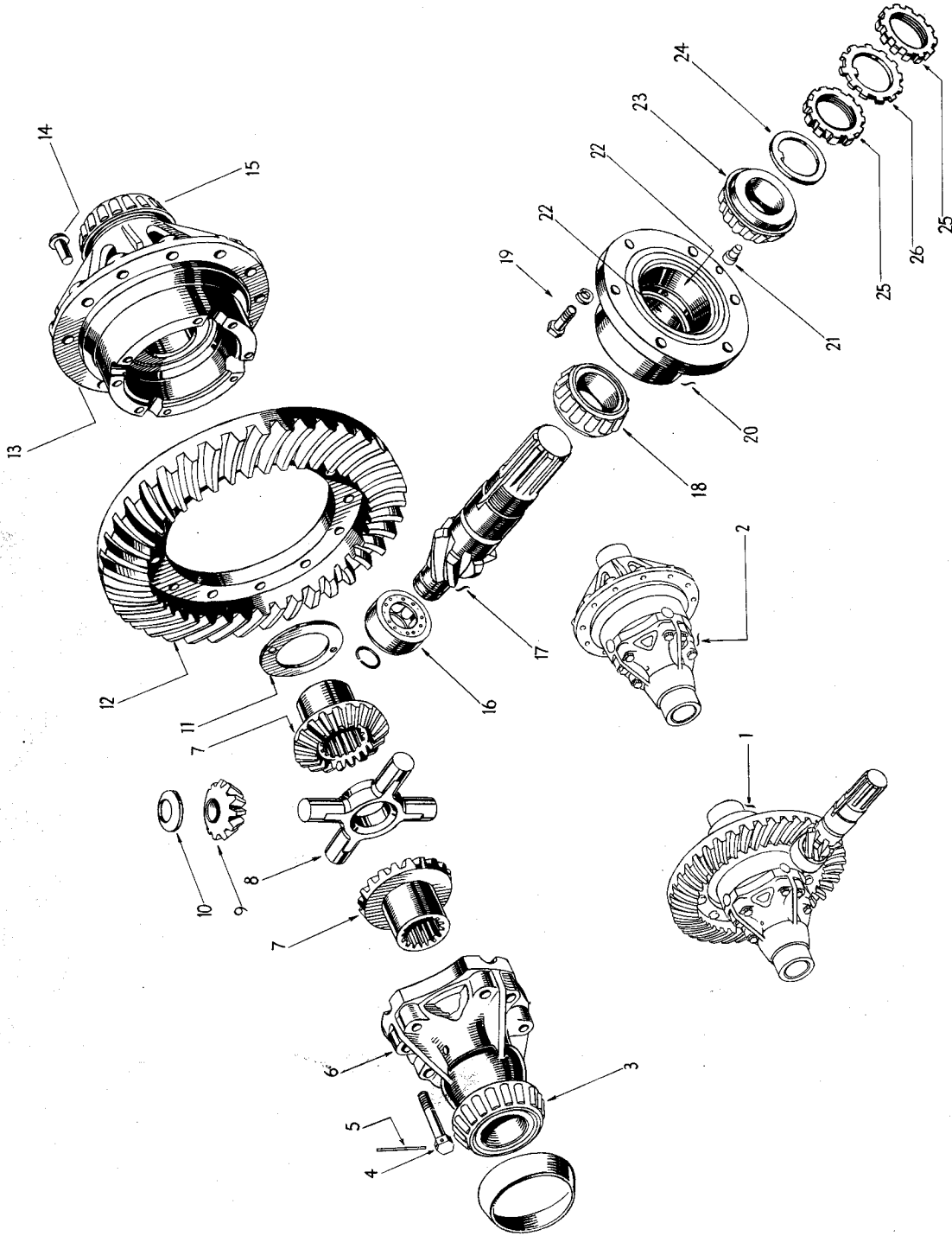


FIG. 15. SM7UCZ



"20" TRACTOR PARTS LIST

Ref. No.	Part No.	Description	No. Off				
			80 m/m Pet.	85 m/m Pet.	85 m/m V.O.	85 m/m L.O.	20C Diesel
<b>FIG. 15. DIFFERENTIAL ASSEMBLY</b>							
1	8576 104685	<b>Case Assembly—Gear and Pinion</b> ... .. <b>Case Assembly—Gear and Pinion—Includes</b> items 6, 12, 13, 14, 16 and 17 ...	1	1*	1*	1*	1*
2	7114 104686	<b>Case—Differential</b> ... .. <b>Case—Differential</b> ... .. Includes items 6, 13 and 14	1	1†	1†	1†	1†
3	1850 087 M91	<b>Bearing Assembly</b> ... ..	1	1	1	1	1
4	1078 181 246 M1	<b>Screw—Differential Gear Case</b> ... .. <b>Screw—Differential Gear Case</b> ... ..	8	8*	8*	8*	8*
5		<b>Wire—Locking—Not serviced separately</b> ...					
6		<b>Case—Differential R.H.—Not serviced separately</b> Order 7114 or 104686 ... ..					
7	7299 201297	<b>Gear—Differential. Use with 4447 only</b> ... <b>Gear—Differential</b> ... ..	2	2*	2*	2*	2*
8	4462 104676	<b>Spider—Differential</b> ... .. <b>Spider—Differential</b> ... ..	1	1†	1†	1†	1†
9	4447 104675	<b>Pinion—Differential. Use with 7299 only</b> ... <b>Pinion—Differential</b> ... ..	4	4*	4*	4*	4*
10	1081 104679	<b>Washer—Thrust—Differential Pinion</b> ... .. <b>Washer—Thrust—Differential Pinion</b> ... ..	4	4*	4*	4*	4*
11	1079 181 247 M1	<b>Washer—Thrust—Differential Gear</b> ... .. <b>Washer—Thrust—Differential Gear</b> ... ..	2	2*	2*	2*	2*
12		<b>Crown Wheel—Not serviced separately.</b> Order 7113 or 104687 ... ..					
13		<b>Case—Differential L.H.—Not serviced separately.</b> Order 7114 or 104686 ... ..					
14	2191 50FNCB 825 776 M1 825 775 M1	<b>Bolt—Crown Wheel to Case</b> ... .. <b>Nut—Castle</b> ... .. <b>Bolt—Crown Wheel to Case</b> ... .. <b>Nut—Castle</b> ... ..	12 12	12* 12*	12* 12*	12* 12*	12* 12*

SM7UCZ

\* Up to 325,000  
† 325,001 and Future.

**"20" TRACTOR PARTS LIST**

Ref. No.	Part No.	Description	No. Off				
			80 m/m Pet.	85 m/m Pet.	85 m/m V.O.	85 m/m L.O.	20C Diesel
15	1850 087 M91	<b>Bearing Assembly</b> ... ..	1	1	1	1	1
16	1086	<b>Lock Ring</b> —Pinion Pilot Bearing ... ..	1	1*	1*	1*	1*
	4034	<b>Bearing</b> —Pinion Pilot ... ..	1	1*	1*	1*	1*
	104681	<b>Bearing</b> —Pinion Pilot ... ..		1†	1†	1†	1†
17		<b>Pinion</b> —Driving—Not serviced separately. Order 7113 or 104687.					
18		<b>Cone and Roller</b> —Not serviced separately. Order 4031 Bearing Assembly					
19	56CBH125B 353 447 X1	<b>Bolt</b> —Driving Pinion Sleeve ... ..	6	6	6	6	6
		<b>Washer</b> —Lock ... ..	6	6	6	6	6
20	2165 103640 4031	<b>Sleeve Assembly</b> —Driving Pinion, includes 4031	1	1*	1*	1*	1*
		<b>Sleeve Assembly</b> —Driving Pinion, includes 4031		1†	1†	1†	1†
		<b>Bearing Assembly</b> ... ..	2	2	2	2	2
21	181 253 M1	<b>Pin</b> —Lock ... ..	1	1	1	1	1
22		<b>Cup</b> —Bearing—Not serviced separately. Order 4031 Bearing Assembly.					

SM7UCZ

\* Up to 325,000  
† 325,001 and Future.

**"20" TRACTOR PARTS LIST**

Ref. No.	Part No.	Description	No. Off					
			80 m/m Pet.	85 m/m Pet.	85 m/m V.O.	85 m/m L.O.	20C Diesel	
23		<b>Cone and Roller</b> —Not serviced separately. Order 4031 Bearing Assembly.						
24	1088 104510	<b>Washer</b> —Thrust—Pinion Bearing ... .. <b>Washer</b> —Thrust—Pinion Bearing ... ..	1	1* 1†	1* 1†	1* 1†	1* 1†	
25	1087	<b>Nut</b> —Lock—Pinion Bearing ... ..	2	2	2	2	2	
26	1229	<b>Washer</b> —Lock—Driving Pinion ... ..	1	1	1	1	1	
<b>NOT ILLUSTRATED</b>								
	7113	<b>Crown Wheel and Pinion</b> , includes items 12 and 17 ... ..	1	1*	1*	1*	1*	
	104687	<b>Crown Wheel and Pinion</b> , includes items 12 and 17 ... ..		1†	1†	1†	1†	
	4511	<b>Shim .010"</b> ... ..	A.R.	A.R.	A.R.	A.R.	A.R.	
	4138	<b>Shim .003"</b> ... ..	A.R.	A.R.	A.R.	A.R.	A.R.	
	4512	<b>Shim .005"</b> ... ..	A.R.	A.R.	A.R.	A.R.	A.R.	

SM7UCZ

\* Up to 325,000  
† 325,001 and future.

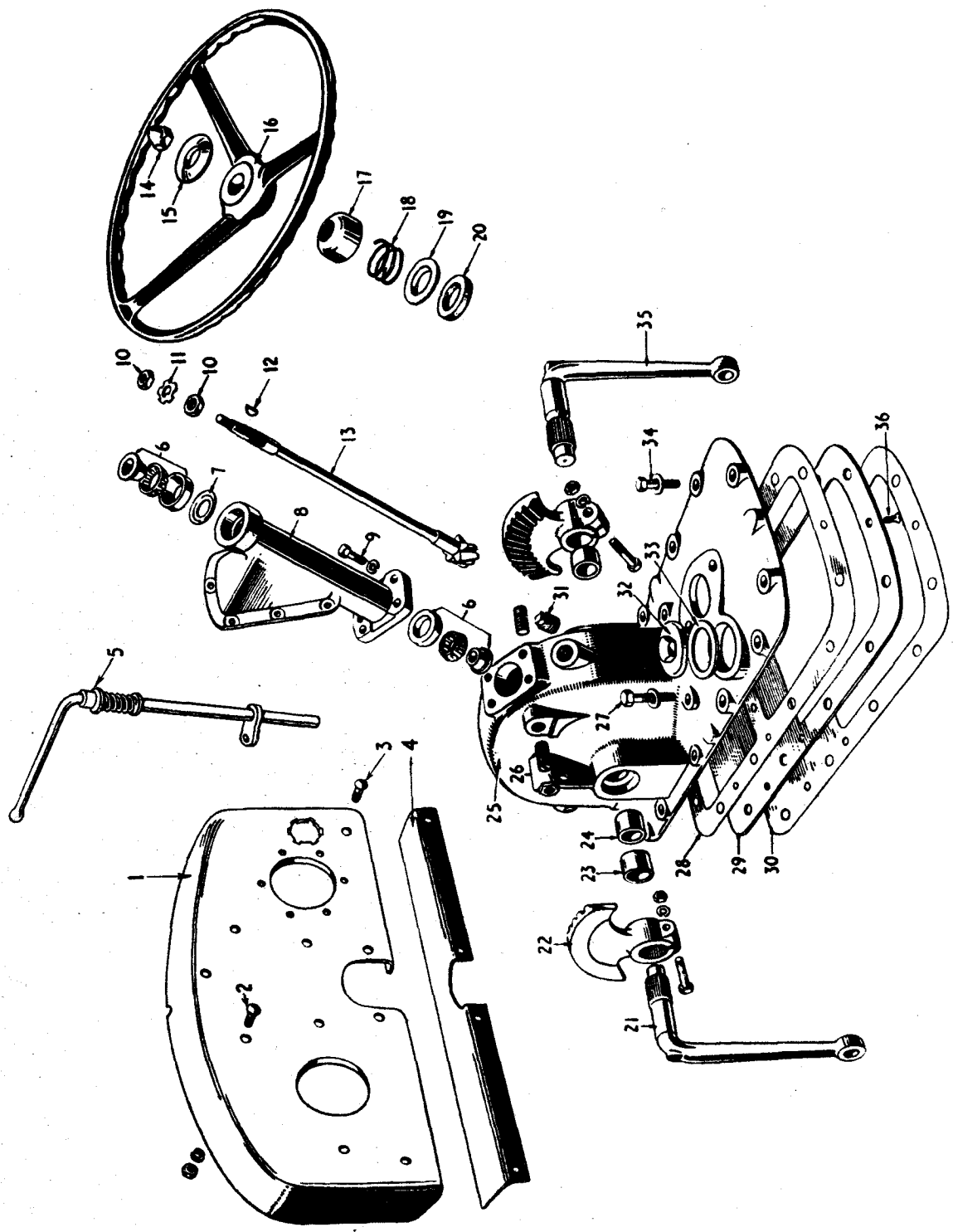


FIG. 16

SM7UCZ

"20" TRACTOR PARTS LIST

Ref. No.	Part No.	Description	No. Off					
			80 m/m Pet.	85 m/m Pet.	85 m/m V.O.	85 m/m L.O.	20C Diesel	
		<b>FIG. 16. INSTRUMENT PANEL AND STEERING ASSEMBLY.</b>						
1	2012 2407	Panel—Instrument—complete with Seal and Lid	1	1*	1*			
	2504 102797	Panel—Instrument—complete with Seal and Grommet ... ..		†	†		1*	
	1944	Panel—Instrument—complete with Seal and Lid					†	
	2414	Panel—Instrument—complete with Seal, Bracket and Rivets						1
	2622	Seal—Rubber—complete with 12 Rivets	1	1	1	1	1	1
	7330	Grommet—Air Intake					1*	
	7331	Insert		†	†	†	†	
	19FSR50B	Inlet—Air—Rubber		†	†	†	†	
	103119	Cover... ..		†	†	†	†	
	14 027 X	Screw—Cover to Panel		†	†	†	†	
		Bracket Assembly—Kigass Pump						1
		Rivet						10
2	31FBR75B	Bolt—Upper Steering Housing to Panel	7	7	7	7	7	7
	353 446 X1	Washer—Lock	7	7	7	7	7	7
	353 916 X1	Nut—Hex.	7	7	7	7	7	7
3	31FBR75B	Bolt—Carriage—Rib Neck	2	2	2	2	2	2
	353 446 X1	Washer—Lock	2	2	2	2	2	2
	1416	Washer—Flat—Heavy	4	4	4	4	4	4
	353 916 X1	Nut—Hex.	2	2	2	2	2	2
4	7093	Support—Dash	1	1	1	1	1	1
	200645	Support—Dash						1
5	7266	Throttle Control Assembly—Steering Column	1	1*	1*	1*		
	7325	Throttle Control Assembly—Steering Column		†	†	†		
	200642	Throttle Control Assembly—Steering Column						1
6	1251	Bearing Assembly—Steering Housing	2	2	2	2	2	2
7	1254	Retainer—Bearing	1	1	1	1	1	1
8	8537	Housing—Steering—Upper	1	1	1	1	1	1
9	353 701 X1	Bolt—Upper to Lower Housing	4	4	4	4	4	4
	353 432 X1	Washer—Lock	4	4	4	4	4	4
10	1265	Nut—Lock	2	2	2	2	2	2
11	1271	Washer—Lock	1	1	1	1	1	1
12	2 951X	Key—Woodruff No. 9	1	1	1	1	1	1

\* Up to 200,000.  
† 200,001 and future.

SM7UCZ

**"20" TRACTOR PARTS LIST**

Ref. No.	Part No.	Description	No. Off				
			80 m/m Pet.	85 m/m Pet.	85 m/m V.O.	85 m/m L.O.	20C Diesel
13	4393	Shaft and Pinion—Steering ... ..	1	1	1	1	1
14	195 592 M1	Nut—Domed ... ..	1	1	1	1	1
15	1258	Washer ... ..	1	1	1	1	1
16	180 576 M1	Wheel—Steering ... ..	1	1	1	1	1
17	1257	Cap ... ..	1	1	1	1	1
18	1259	Spring ... ..	1	1	1	1	1
19	1256	Retainer ... ..	1	1	1	1	1
20	1255 2648	Seal (From 465,927—diesel only) ... .. Seal (Up to 465,926) ... ..	1	1	1	1	1 1
21	7163	Arm—Steering Gear —L.H. ... ..	1	1	1	1	1
22	7269 353 708 X1 355 645 X1 353 432 X1	Sector—Steering Gear ... .. Bolt—Steering Gear Sector ... .. Nut—Hex, ... .. Washer—Lock ... ..	2 2 2 2	2 2 2 2	2 2 2 2	2 2 2 2	2 2 2 2
23	1279	Bush—Outer—Steering ... ..	2	2	2	2	2
24	1280 2248	Bush—Inner—Steering ... .. Assembly—Lower Steering Housing Complete includes Sectors, Arms, Filler Plugs, Oil Seals, Adjusting Screws and Hardware ... ..	1 1	1 1	1 1	1 1	1 1
25	1830 1481 353 426 X1 353 432 X1	Housing—Steering includes items 23 and 24 ... .. Stud—Battery Platform (not illustrated)... .. Nut—Hex. ... .. Washer—Lock ... ..	1 2 2 2	1 2 2 2	1 2 2 2	1 2 2 2	1 2 2 2
26	1388 353 436 X1	Screw—Adjusting ... .. Nut—Hex—Jam. ... ..	2 2	2 2	2 2	2 2	2 2
27	353 707 X1 353 706 X1 1146	Bolt—Lower Housing—Elektron Trans. Case ... .. Bolt—Lower Housing—C.I. Trans. Case ... .. Washer—Special ... ..	2 2 2	2 2 2	2 2 2	2 2 2	2 2 2
28	7116	Gasket—Steering Housing ... ..	1	1	1	1	1
29	7177	Plate—Steering Housing ... ..	1	1	1	1	1

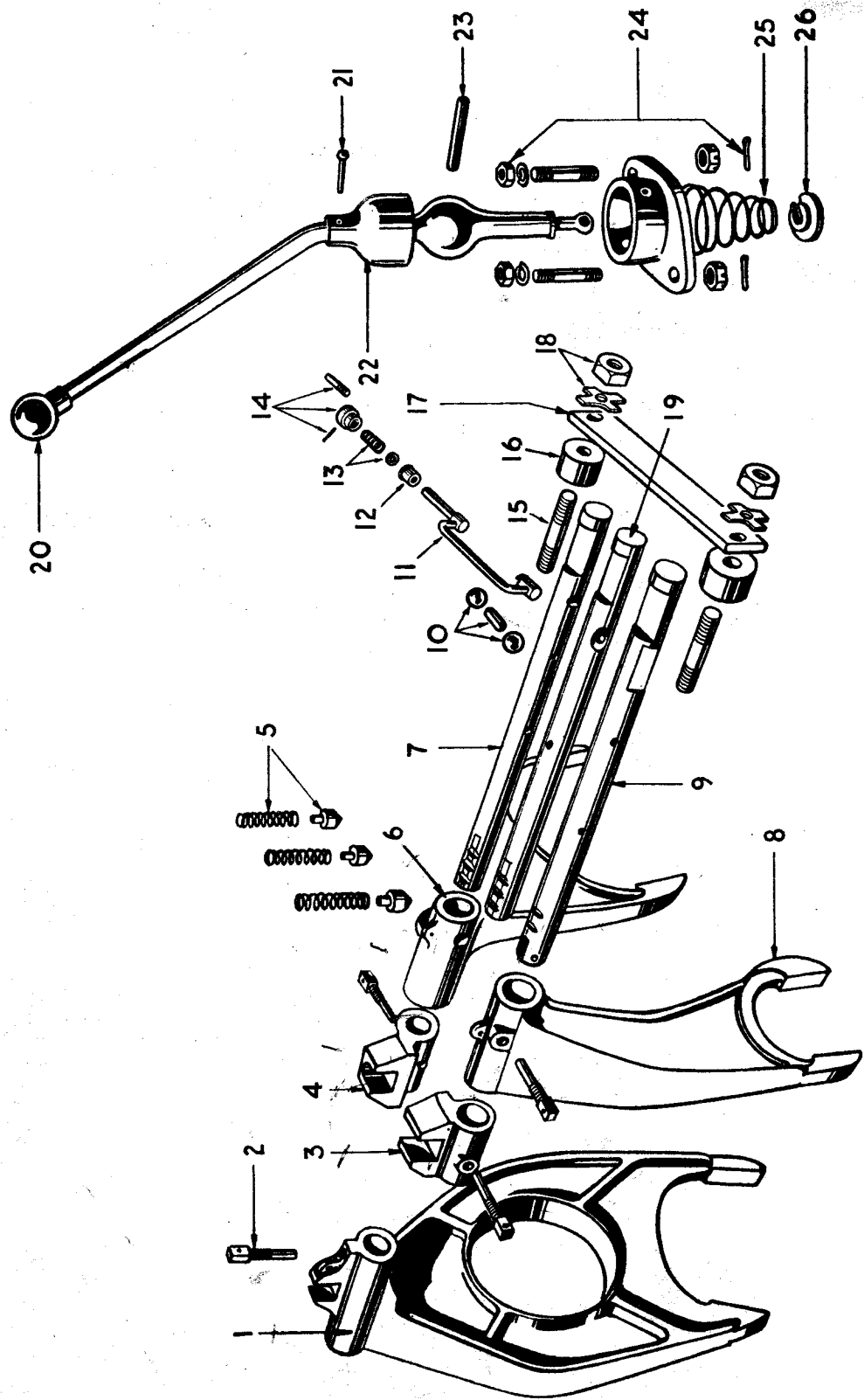
SM7UCZ

**“20” TRACTOR PARTS LIST**

Ref. No.	Part No.	Description	No. Off				
			80 m/m Pet.	85 m/m Pet.	85 m/m V.O.	85 m/m L.O.	20C Diesel
30	7083	<b>Gasket</b> —Steering Housing ... ..	1	1	1	1	1
31	195 251 M1	<b>Plug</b> —Filler—Lower Housing ... ..	1	1	1	1	1
32	1018	<b>Plug</b> —Filler—Lower Housing ... ..	1	1	1	1	1
33	1170	<b>Gasket</b> —Filler Plug ... ..	1	1	1	1	1
34	353 705 X1	<b>Bolt</b> —Lower Housing—Elektron Trans. Case ...	12	12	12	12	12
	353 703 X1	<b>Bolt</b> —Lower Housing—C.I. Trans. Case ...	12				
	1146	<b>Washer</b> —Special ... ..	12	12	12	12	11
35	7162	<b>Arm</b> —Steering Gear—R.H. ... ..	1	1	1	1	1
36	1547	<b>Screw</b> —Special Plate ... ..	10	10	10	10	10
<b>NOT ILLUSTRATED</b>							
	1578	<b>Seal</b> —Oil—Steering ... ..	2	2	2	2	2
	7152	<b>Tube Assembly</b> —Oil Pressure Gauge (Up to 200,000) ... ..	1	1	1	1	
	8781	<b>Tube Assembly</b> —Oil Pressure Gauge (200,001 and future) ... ..		1	1	1	
	103015	<b>Tube Assembly</b> —Oil Pressure Gauge—Top Half ... ..					1
	200852	<b>Tube Assembly</b> —Oil Pressure Gauge—Bottom Half ... ..					1
	827 622 M1	<b>Adaptor</b> —Oil Pipe Connection ... ..					1
	103271	<b>Clip</b> —Pipe—Top Half to Support Bracket ... ..					1
	827 632 M1	<b>Clip</b> —Pipe—Bottom Half to Trans. Case ... ..					1
	1804	<b>Clamp</b> —Oil Pressure Gauge ... ..	1	1	1	1	1
	1805	<b>Nut</b> —Oil Pressure Gauge ... ..	1	1	1	1	1
	1806	<b>Washer</b> —Lock ... ..	1	1	1	1	1
	1850 377 M91	<b>Gauge Assembly</b> —Oil Pressure ... ..	1	1	1	1	1

SM7UCZ

FIG. 17



SM7UCZ

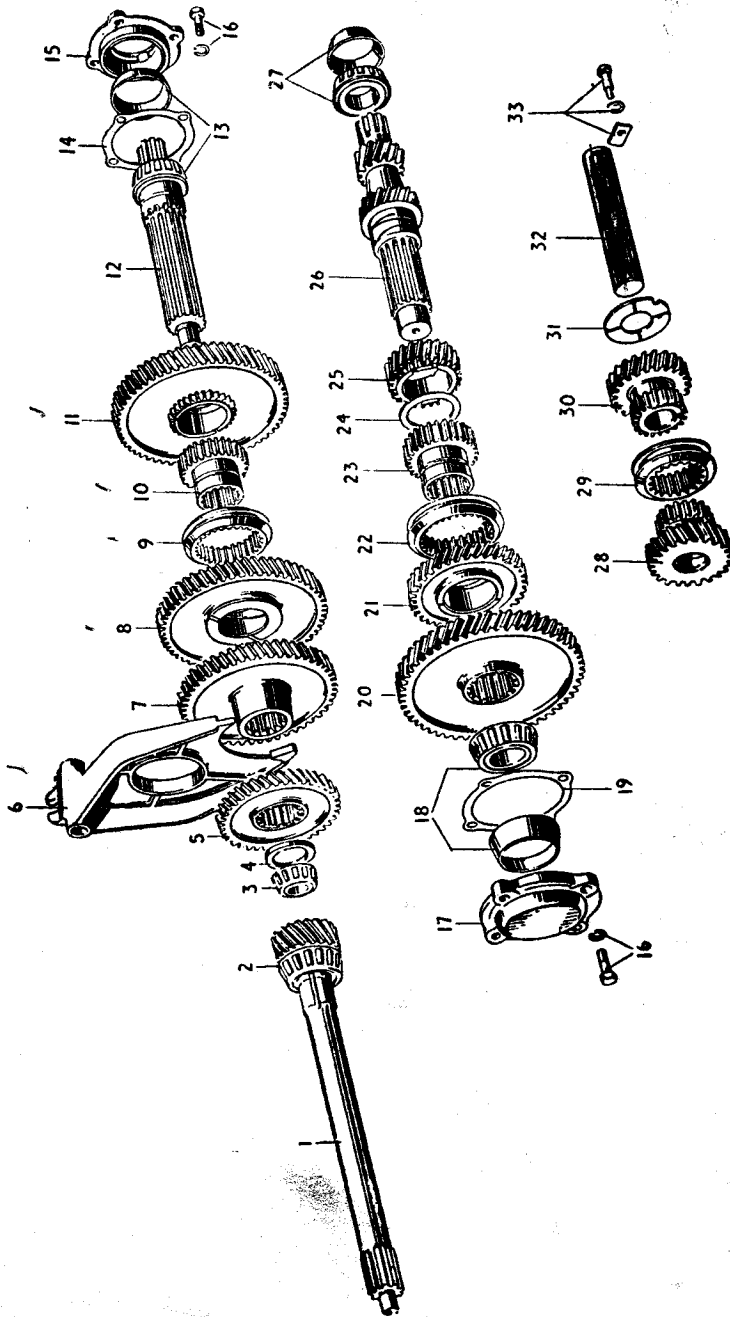


"20" TRACTOR PARTS LIST

Ref. No.	Part No.	Description	No. Off				
			80 m/m Pet.	85 m/m Pet.	85 m/m V.O.	85 m/m L.O.	20C Diesel
<b>FIG. 17. SELECTOR MECHANISM AND RELATED PARTS</b>							
1	8542	Fork—Shifter—3rd and 4th ... ..	1	1	1	1	1
2	1994	Pin—Shifter Fork ... ..	5	5	5	5	5
3	1873	Selector—Reverse Shifter Rail ... ..	1	1	1	1	1
4	4149	Selector—1st and 2nd Shifter Fork ... ..	1	1	1	1	1
5	1299	Spring—Shifter Rail ... ..	3	3	3	3	3
	1361	Plunger—Selector ... ..	3	3	3	3	3
6	7085	Fork—Shifter—1st and 2nd ... ..	1	1	1	1	1
7	4177	Rail—Shifter—1st and 2nd... ..	1	1	1	1	1
8	8543	Fork—Shifter—Reverse ... ..	1	1	1	1	1
9	4176	Rail—Shifter—Reverse ... ..	1	1	1	1	1
	102525	Rail—Shifter—Reverse ... ..					1
10	1297	Ball—5" Dia. ... ..	2	2	2	2	2
	1474	Plunger ... ..	1	1	1	1	1
11	102503	Control Plunger Assembly ... ..					1
12	102507	Abutment—Spring ... ..					1
13	102508	Seal ... ..					1
	103068	Spring ... ..					1
14	102502	Button—Push ... ..					1
	354 900 X1	Pin—Mills ... ..					1
	102514	Pin—Locking ... ..					1
15	354 010 X1	Bolt—Selector Rail Stop (for C.I. Trans. Case) ... ..	2				
	354 412 X1	Bolt—Selector Rail Stop (for Elektron Trans. Case) ... ..	2	2*	2*	2*	
	102513	Stud—Gear Lever Stop ... ..		2†	2†	2†	2
16	1456	Spacer—Gear Lever Stop ... ..	2	2	2	2	2
17	1457	Stop Plate—Gear Lever ... ..	1	1	1	1	1
18	353 925 X1	Nut—Slotted ... ..	2	2*	2*	2*	
	354 049 X1	Pin—Cotter ... ..	2	2*	2*	2*	
	2563	Washer—Tab ... ..		2†	2†	2†	2
	353 426 X1	Nut—Hex. ... ..		2†	2†	2†	2
19	4174	Rail—Shifter—3rd and 4th ... ..	1	1	1	1	1
20	7084	Lever Assembly—Gear Shift ... ..	1	1	1	1	1
21	16 868 X	Rivet—Gear Shift Lever Cover ... ..	1	1	1	1	1
22	1270	Cover—Gear Shift Lever ... ..	1	1	1	1	1
23	1096	Pin—Gear Shift Lever ... ..	1	1	1	1	1
24	7081	Cup—Gear Shift Lever ... ..	1	1	1	1	1
	1507	Stud ... ..	2	2	2	2	2
	353 426 X1	Nut—Hex. ... ..	2	2	2	2	2
	353 432 X1	Washer—Lock ... ..	2	2	2	2	2
	1514	Nut—Slotted ... ..	2	2	2	2	2
	354 048 X1	Pin—Cotter ... ..	2	2	2	2	2
	1302	Oil Seal—Reverse Rail (Not Illustrated) ... ..	1	1	1	1	1
	1417	Plug—Expansion (Not Illustrated) ... ..	2	2	2	2	2
	1943	Gasket (Not Illustrated) ... ..	1	1	1	1	1
25	1260	Spring—Gear Shift Lever ... ..	1	1	1	1	1
3617	180 583 M1	Seat—Spring... ..	1	1	1	1	1
	4178	Plate—Stop—Reverse and Starter Operation ... ..	1	1	1	1	1

\* Up to 200,000 † 200,001 and Future.

FIG. 18



SM7UCZ

**“20” TRACTOR PARTS LIST**

Ref. No.	Part No.	Description	No. Off				
			80 m/m Pet.	85 m/m Pet.	85 m/m V.O.	85 m/m L.O.	20C Diesel
<b>FIG. 18. TRANSMISSION</b>							
1	7044	<b>Gear—Transmission Main Drive ... ..</b>	1	1	1	1	
	7218	<b>Gear—Transmission Main Drive ... ..</b>					1
2	1850 223 M91	<b>Bearing Assembly—Main Drive ... ..</b>	1	1	1	1	1
3	4076	<b>Bearing Assembly—Transmission Pilot ...</b>	1	1	1	1	1
4	1091	<b>Washer—Thrust ... ..</b>	1	1	1	1	1
5	4039	<b>Gear—4th—Main Shaft ... ..</b>	1	1	1	1	1
6	8542	<b>Fork—Shifter—3rd and 4th ... ..</b>	1	1	1	1	1
7	7029	<b>Gear—3rd—Main Shaft ... ..</b>	1	1	1	1	1
8	7122	<b>Gear Assembly—2nd—Main Shaft (Includes Bush)</b>	1	1	1	1	1
9 & 10	2057	<b>Connecting Gears Assembly ... ..</b>	1*		1*	1*	
	2426	<b>Connecting Gears Assembly ... ..</b>	1†	1	1†	1†	1
11	115565	<b>Gear Assembly—1st—Main Shaft (Includes Bush)</b>	1	1	1	1	1
12	4057	<b>Shaft—Main Transmission ... ..</b>	1	1	1	1	1
13	1850 223 M91	<b>Bearing Assembly—Main Shaft ... ..</b>	1	1	1	1	1
14	1231	<b>Shim .003"—Retainer Main Shaft ... ..</b>	A.R.	A.R.	A.R.	A.R.	A.R.
	1232	<b>Shim .004"—Retainer Main Shaft ... ..</b>	A.R.	A.R.	A.R.	A.R.	A.R.
	1233	<b>Shim .007"—Retainer Main Shaft ... ..</b>	A.R.	A.R.	A.R.	A.R.	A.R.
	1234	<b>Shim .010"—Retainer Main Shaft ... ..</b>	A.R.	A.R.	A.R.	A.R.	A.R.
	1235	<b>Shim .020"—Retainer Main Shaft ... ..</b>	A.R.	A.R.	A.R.	A.R.	A.R.
	1236	<b>Shim .005"—Retainer Main Shaft ... ..</b>	A.R.	A.R.	A.R.	A.R.	A.R.
	1237	<b>Shim .012"—Retainer Main Shaft ... ..</b>	A.R.	A.R.	A.R.	A.R.	A.R.
15	1227	<b>Retainer—Bearing—Main Shaft ... ..</b>	1	1	1	1	1

\* Up to 146,307  
† 146,308 and future.

SM7UCZ

**“20” TRACTOR PARTS LIST**

Ref. No.	Part No.	Description	No. Off				
			80 m/m Pet.	85 m/m Pet.	85 m/m V.O.	85 m/m L.O.	20C Diesel
16	353 693 X1	<b>Screw—Set—Bearing Retainer</b> ... ..	16	16	16	16	16
	353 434 X1	<b>Washer—Lock</b> ... ..	16	16	16	16	16
	1090	<b>Washer—Thrust—Gear Box (Not Illustrated)...</b>	1	1	1	1	1
17	1238	<b>Retainer—Bearing—Countershaft</b> ... ..	1	1	1	1	1
18	1850 223 M91	<b>Bearing Assembly—Countershaft Front End</b> ...	1	1	1	1	1
19	1228	<b>Gasket—Retainer—Bearing</b> ... ..	2	2	2	2	2
20	7031	<b>Gear—Countershaft</b> ... ..	1	1	1	1	1
21	7123	<b>Gear Assembly—4th—Countershaft (Includes Bush</b> ... ..	1	1	1	1	1
22 & 23	2057	<b>Connecting Gears Assembly</b> ... ..	1*		1*	1*	
	2426	<b>Connecting Gears Assembly</b> ... ..	1†	1	1†	1†	1
24	1485	<b>Washer—Thrust—Countershaft</b> ... ..	1*		1*	1*	
	2366	<b>Washer—Thrust—Countershaft</b> ... ..	A.R.	A.R.	A.R.	A.R.	A.R.
	2406	<b>Washer—Thrust—Countershaft</b> ... ..	A.R.	A.R.	A.R.	A.R.	A.R.
25	4040	<b>Gear—3rd—Countershaft</b> ... ..	1*		1*	1*	
	115567	<b>Gear—3rd—Countershaft (Includes Bush)</b> ...	1†	1	1†	1†	1
26	7120	<b>Countershaft Assembly (Includes Bush)</b> ...	1*		1*	1*	
	7291	<b>Countershaft</b> ... ..	1†	1	1†	1†	1
27	1850 223 M91	<b>Bearing Assembly—Countershaft—Rear End</b>	1	1	1	1	1

SM7UCZ

\* Up to 146,307  
 † 146,308 and future.

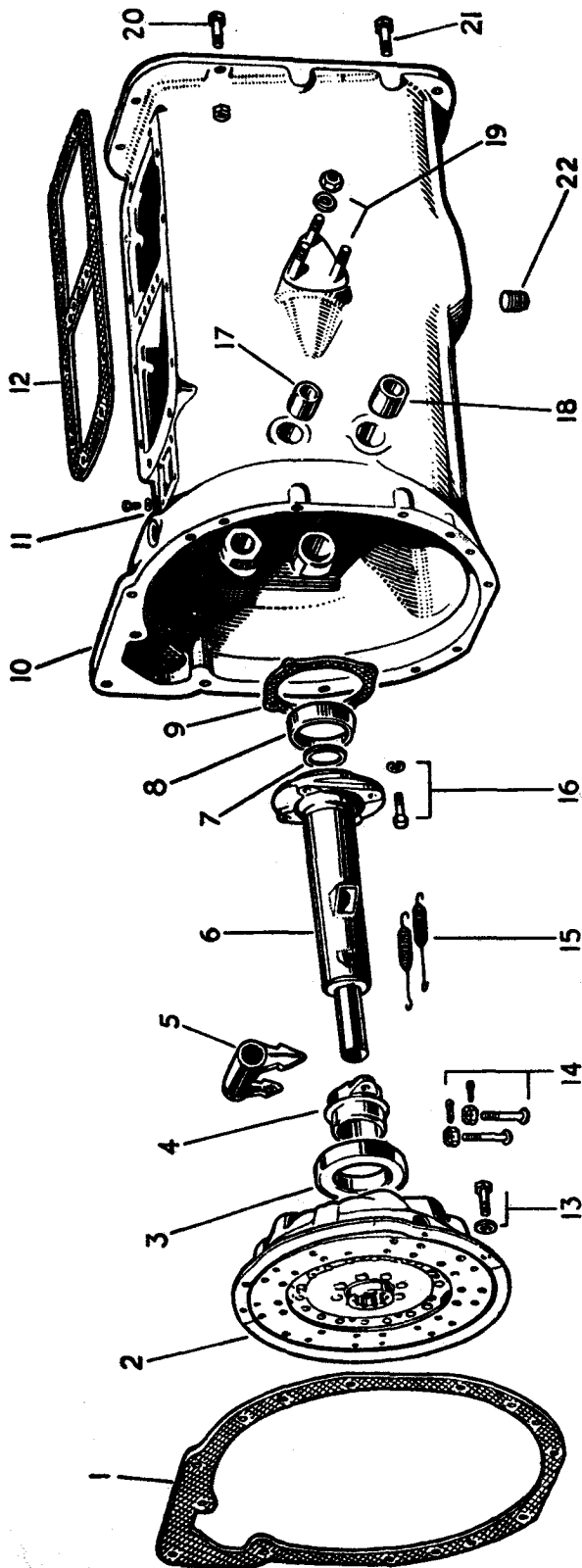
**'20' TRACTOR PARTS LIST**

Ref. No.	Part No.	Description	No. Off				
			80 m/m Pet.	85 m/m Pet.	85 m/m V.O.	85 m/m L.O.	20C Diesel
28	4109	<b>Gear Assembly—Reverse Driver (Includes Bush)</b>	1	1	1	1	1
29	4043	<b>Coupling—Sliding—Reverse ... ..</b>	1	1	1	1	1
30	4042	<b>Gear Assembly—Reverse Idler (Includes Bush)</b>	1	1	1	1	1
31	1094	<b>Washer—Thrust ... ..</b>	1	1	1	1	1
32	1092	<b>Shaft—Reverse ... ..</b>	1	1	1	1	1
33	1278	<b>Stop—Reverse Shaft ... ..</b>	1	1	1	1	1
	1482	<b>Bolt—Reverse Shaft Stop ... ..</b>	1	1	1	1	1
	353 446 X1	<b>Washer—Lock ... ..</b>	1	1	1	1	1
<b>NOT ILLUSTRATED.</b>							
	2399	<b>Split Collar (Use with 7291 Countershaft) ...</b>		2	2†	2†	2

† 146,308 and Future.

SM7UCZ

FIG. 19



SM7UCZ

**"20" TRACTOR PARTS LIST**

Ref. No.	Part No.	Description	No. Off					
			80 m/m Pet.	85 m/m Pet.	85 m/m V.O.	85 m/m L.O.	20C Diesel	
		<b>FIG. 19. TRANSMISSION CASE AND RELATED PARTS.</b>						
	9579	Transmission Assembly—Complete ... ..	1	1*	1*	1*		
	9701	Transmission Assembly—Complete ... ..		†	†	†		
	400271	Transmission Assembly—Complete ... ..						1
1	8607	Gasket—Transmission Case to Engine ... ..	1	1*	1*	1*		
	8740	Gasket—Transmission Case to Engine ... ..		†	†	†		
	8641	Gasket—Transmission Case to Engine ... ..						1
2		Clutch—Refer Fig. 20 ... ..						
3	4069	Bearing—Clutch Release ... ..	1	1	1	1		1
4	4119	Hub—Clutch Release Bearing ... ..	1	1	1	1		1
5	4127	Fork—Clutch Shaft ... ..	1	1	1	†		1
6	7071	Retainer—Main Drive Gear Bearing ... ..	1	1	1	1		
	7219	Retainer—Main Drive Gear Bearing ... ..						1
7	1230	Seal—Oil—Main Drive ... ..	1	1	1	1		1
8		Cup—Bearing—Not serviced separately. Order 1850 223 M91 (Fig. 18)						
9	1228	Gasket—Retainer—Main Shaft ... ..	1	1	1	1		†
10	1824	Case—Transmission Plug	1	1*	1*	1*		
	2479	Case—Transmission ... ..		†	†	†		
	2513	Case—Transmission ... ..						1
	1246	Plug—Core (Not illustrated) ... ..	1	1	1	1		1
		} Includes Bushes and Core Plug ...						

\* Up to 200,000  
† 200,001 and future.

SM7UCZ

**“20” TRACTOR PARTS LIST**

Ref. No.	Part No.	Description	No. Off				
			80 m/m Pet.	85 m/m Pet.	85 m/m V.O.	85 m/m L.O.	20C Diesel
11	353 675 X1	<b>Screw—Set—Starter Switch (Cast Iron Case)</b>	4				
	353 678 X1	<b>Screw—Set—Starter Switch</b> ... ..	4	4	4	4	
	353 755 X1	<b>Washer—Flat</b> ... ..	4	4	4	4	
	353 681 X1	<b>Screw—Set—Starter Mechanism</b> ... ..					2
	353 686 X1	<b>Screw—Set—Starter Mechanism</b> ... ..					2
12	7083	<b>Gasket—Transmission Case to Steering Housing</b>	1	1	1	1	1
13	353 678 X1	<b>Screw—Set—Clutch Cover Fixing</b> ... ..	6	6	6	6	
	353 690 X1	<b>Screw—Set—Clutch Cover Fixing</b> ... ..					6
	353 446 X1	<b>Washer—Lock</b> ... ..	6	6	6	6	
	353 434 X1	<b>Washer—Lock</b> ... ..					6
14	25FSR175BTD	<b>Screw—Clutch Shaft Fork</b> ... ..	2	2	2	2	2
	353 922 X1	<b>Nut—Slotted</b> ... ..	2	2	2	2	2
	354 040 X1	<b>Pin—Cotter</b> ... ..	2	2	2	2	2
15	1287	<b>Spring—Clutch Release Bearing</b> ... ..	2	2	2	2	2
16	353 702 X1	<b>Screw—Set—Transmission Case to Engine</b> ...	9	9	9	9	7
	353 707 X1	<b>Screw—Set—Transmission Case to Engine</b> ...	2	2	2	2	
	353 701 X1	<b>Bolt—Transmission Case to Sump</b> ... ..					4
	353 426 X1	<b>Nut—Hex.</b> ... ..					4

SM7UCZ



**“20” TRACTOR PARTS LIST**

Ref. No.	Part No.	Description	No. Off				
			80 m/m Pet.	85 m/m Pet.	85 m/m V.O.	85 m/m L.O.	20C Diesel
17	1321	<b>Bush—Brake and Clutch Shaft</b> ... ..	3	3	3	3	3
18	1322	<b>Bush—Brake Shaft</b> ... ..	1	1	1	1	1
19	1583	<b>Stud—<math>\frac{7}{8}</math>" <math>\times</math> 3.50"—Radius Rod</b> ... ..	4	4	4	4	4
	1586	<b>Stud—<math>\frac{7}{8}</math>" <math>\times</math> 2.125"—Radius Rod...</b> ... ..	2	2	2	2	2
	353 426 X1	<b>Nut—Hex.</b> ... ..	6	6	6	6	6
	353 432 X1	<b>Washer—Lock</b> ... ..	6	6	6	6	6
20	353 564 X1	<b>Bolt—Transmission Case to Centre Housing</b> ...	7	7*	7*	7*	
	353 426 X1	<b>Nut—Hex.</b> ... ..	7	7*	7*	7*	
	353 564 X1	<b>Bolt—Transmission Case to Centre Housing</b> ...		9†	9†	9†	9
	353 426 X1	<b>Nut—Hex.</b> ... ..		9†	9†	9†	9
21	353 701 X1	<b>Screw—Set—Transmission Case to Centre Housing</b>	3	4	4	4	4
22	195 251 M1	<b>Plug—Oil Drain</b> ... ..	1	1	1	1	1

\* Up to 200,000  
 † 200,001 and future.

SM7UCZ

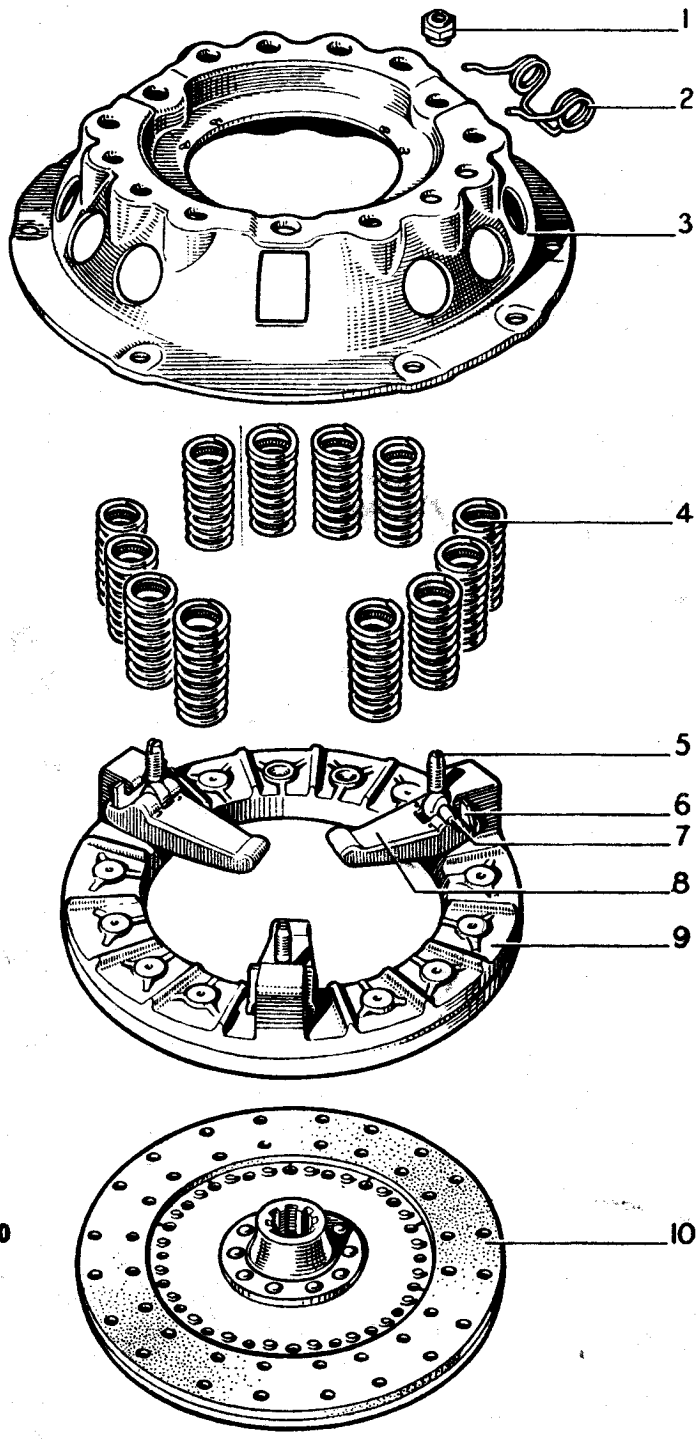


FIG. 20

SM7UCZ

**'20' TRACTOR PARTS LIST**

Ref. No.	Part No.	Description	No. Off					
			80 m/m Pet.	85 m/m Pet.	85 m/m V.O.	85 m/m L.O.	20C Diesel	
		<b>FIG. 20. CLUTCH ASSEMBLY.</b>						
	8624	<b>Cover Assembly—(Orange Springs)</b>	1					
	8687	<b>Cover Assembly—(Green Springs)</b>			1	1		
	2641	<b>Cover Assembly—(Cream Springs)</b>						
	8780	<b>Cover Assembly—(Green Springs)</b>		1				1
		Comprising appropriate items ... 1 through 9						
1	35253 825 834 M1	<b>Nut—Clutch Eye Bolt—BSF</b> <b>Nut—Clutch Eye Bolt—UNF</b>	A.R. A.R.	A.R. A.R.	A.R. A.R.	A.R. A.R.	A.R. A.R.	A.R. A.R.
2	35249 225643 1850 236 M1	<b>Spring—Anti-Rattle</b> <b>Spring—Anti-Rattle</b>	3	3	3	3	3	3
3	1850 193 M1 1850 194 M1	<b>Cover—Clutch</b> <b>Cover—Clutch</b>	1	1	1	1	1	1
4	48648 825 534 M1 48650	<b>Spring—Clutch Thrust (Orange)</b> <b>Spring—Clutch Thrust (Green)</b> <b>Spring—Clutch Thrust (Cream)</b>	9*		9	9	9	12
5	41325 825 833 M1	<b>Bolt—Eye—BSF</b> <b>Bolt—Eye—UNF</b>	A.R. A.R.	A.R. A.R.	A.R. A.R.	A.R. A.R.	A.R. A.R.	A.R. A.R.
6	825 644 M1	<b>Strut—Clutch Release Lever</b>	3	3	3	3	3	3
7	825 645 M1	<b>Pin—Clutch Release Lever...</b>	3	3	3	3	3	3
8	50121T 25542 4494	<b>Lever—Clutch Release</b> <b>Lever—Clutch Release</b>	3	3	3	3	3	3
9	825 646 M1 1850 195 M1	<b>Plate—Clutch Pressure</b> <b>Plate—Clutch Pressure</b>	1	1	1	1	1	1
10	8572 825 648 M91 500861 501832 8778 1850 197 M91 501883 501882	<b>Plate—Clutch Driven</b> <b>Set of Facings and Rivets</b> <b>Plate—Clutch Driven</b> <b>Set of Facings and Rivets</b> <b>Plate—Clutch Driven</b> <b>Set of Facings and Rivets</b> <b>Plate—Clutch Driven</b> <b>Set of Facings and Rivets</b>	1 1 set 1 1 set 1 1 set 1 1 set	1 1 set 1 1 set 1 1 set 1 1 set	1 1 set 1 1 set 1 1 set 1 1 set	1 1 set 1 1 set 1 1 set 1 1 set	1 1 set 1 1 set 1 1 set 1 1 set	1 1 set 1 1 set 1 1 set 1 1 set
		<b>NOT ILLUSTRATED.</b>						
	DP0508	<b>Dowel—Plain—Clutch to Flywheel</b>						2

SM7UCZ

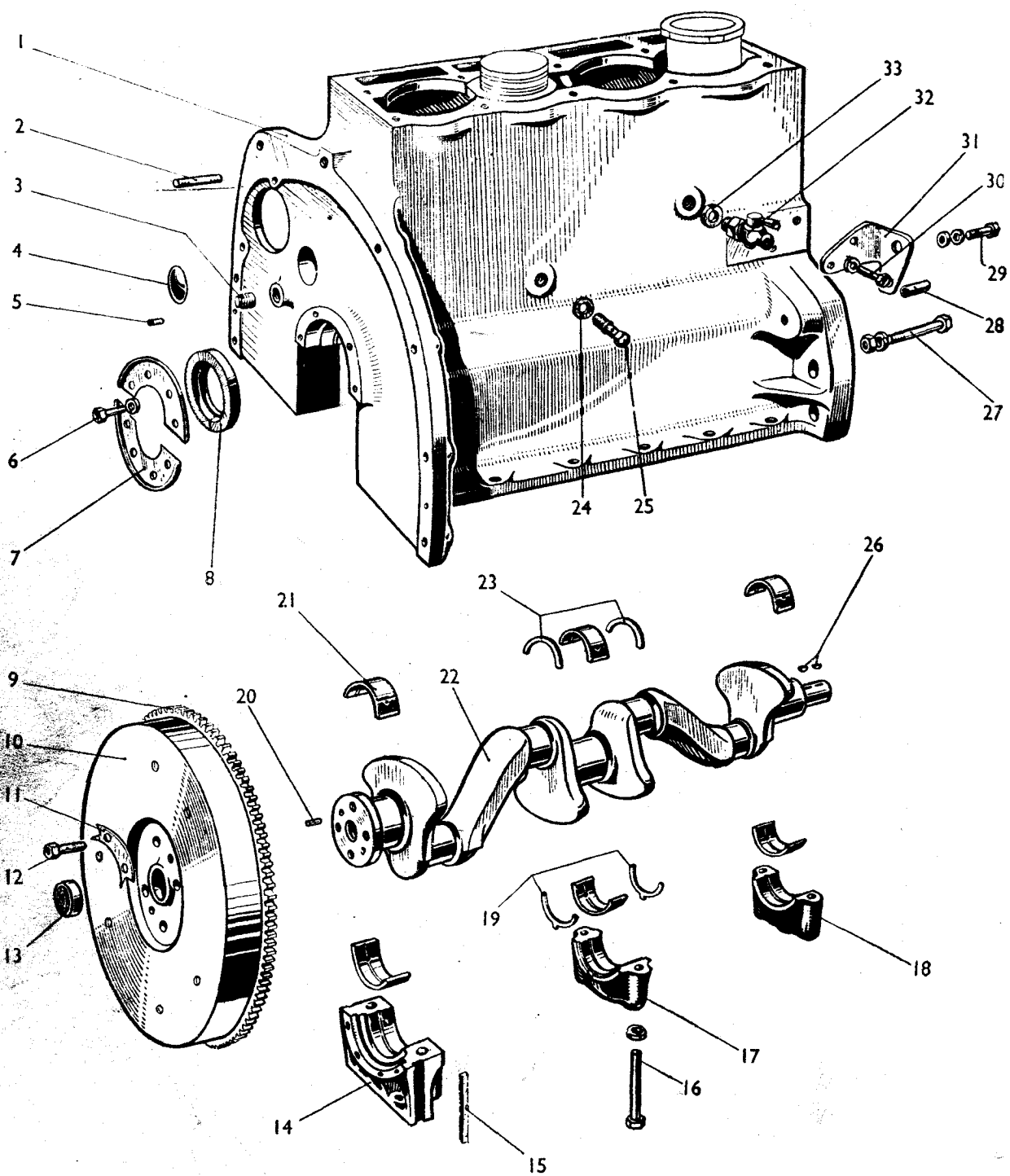


FIG. 21

SM7UCZ

**“20” TRACTOR PARTS LIST**

Ref. No.	Part No.	Description	No. Off					
			80 m/m Pet.	85 m/m Pet.	85 m/m V.O.	85 m/m L.O.	20C Diesel	
		<b>FIG. 21. CYLINDER BLOCK WITH CRANKSHAFT, FLYWHEEL AND RELATED PARTS.</b>						
	57963	Engine Unit Assembly (6-volt equipment) ...	1					
	500037	Engine Unit Assembly (6-volt equipment) ...		1*				
	500541	Engine Unit Assembly (12-volt equipment)		†				
	500038	Engine Unit Assembly (6-volt equipment) ...			1*			
	500542	Engine Unit Assembly (12-volt equipment) ...			††			
	502038	Engine Unit Assembly (12-volt equipment) ...			1ø			
	500220	Engine Unit Assembly (6-volt equipment) ...					1*	
	500543	Engine Unit Assembly (12-volt equipment) ...					†	
	59833	Engine Assembly—less Electrics, Carburettor, Water Pump, Manifold, Oil Filter and Water Outlet Elbow ...	1					
	500715	Engine Assembly ditto ...		1*				
	500716	Engine Assembly ditto ...		†				
	300306	Engine Assembly ditto ...			1*			
	500674	Engine Assembly ditto ...			††			
	502037	Engine Assembly ditto ...			1ø			
	500672	Engine Assembly ditto ...					1*	
	500675	Engine Assembly ditto ...					†	
1	57964	Cylinder Block Assembly—includes items 3, 4, 14, 15, 16, 17, 18, 32 and 33—Items 9 and 37 Fig. 24 and item 40 Fig. 22 ...	1					
	300101	Cylinder Block Assembly ditto ...		1*	1*	1*	1*	
	500545	Cylinder Block Assembly ditto ...		†	†	†	†	
2	59876	Stud— $\frac{7}{16}$ " N.C. and N.F. x 2" ...	1	1	1	1	1	
3	825 190 M1	Plug—Core— $\frac{3}{4}$ " x 16 N.F. ...	2	2	2	2	2	
4	825 109 M1	Plug—Core—Rear End Camshaft ...	1	1	1	1	1	
5	825 302 M1	Dowel— $\frac{3}{8}$ " dia. x $\frac{3}{4}$ " ...	2	2	2	2	2	
6	353 665 X1	Bolt— $\frac{1}{4}$ " N.C. x $\frac{1}{2}$ " ...	8	8	8	8	8	
	353 441 X1	Washer—Lock ...	8	8	8	8	8	
7	825 176 M1	Retainer—Oil Seal ...	2	2	2	2	2	
8	825 208 M1	Seal—Rear Oil ...	1	1	1	1	1	
9	56287	Gear—Flywheel Ring ...	1	1*	1*	1*	1*	
	825 452 M1	Gear—Flywheel Ring ...		†	†	†	†	
10	60219	Flywheel Assembly—Includes item 9 ...	1	1*	1*	1*	1*	
	102969	Flywheel Assembly—Includes item 9 ...		†	†	†	†	
		* Up to S112390E (Pet.), S165,406E (V.O.) SB2732E (L.O.).						
		† S112,391E (Pet.), SB27,33E (L.O.) and future.						
		†† S165,407E to S170,173E (V.O.)						
		ø S170,174E and future (V.O.).						

SM7UCZ

"20" TRACTOR PARTS LIST

Ref. No.	Part No.	Description	No. Off				
			80 m/m Pet.	85 m/m Pet.	85 m/m V.O.	85 m/m L.O.	20C Diesel
11	(56224) 825 179 M1	Plate—Locking—Flywheel Attachment ... ..	2	2	2	2	
12	825 180 M1	Screw—Set— $\frac{3}{8}$ " N.F. $\times$ $1\frac{1}{32}$ " ... ..	4	4	4	4	
13	195 174 M1	Bearing—Clutch Pilot ... ..	1	1	1	1	
14		Cap—Rear Bearing—Not serviced separately					
15	825 220 M1	Felt—Rear Bearing Cap ... ..	2	2	2	2	
16	825 197 M1	Screw—Set— $\frac{1}{2}$ " U.N.C. $\times$ $3\frac{13}{32}$ " ... ..	6	6	6	6	
	825 849 M1	Washer—Lock ... ..	6	6	6	6	
17		Cap—Centre Bearing—Not serviced separately.					
18		Cap—Front Bearing—Not serviced separately.					
19	825 112 M1	Washer—Bottom Thrust ... ..	2	2	2	2	
	826 240 M1	Washer—Bottom Thrust—.005" O/S ... ..	A.R.	A.R.	A.R.	A.R.	
20	825 470 M1	Dowel— $\frac{3}{8}$ " dia. $\times$ $\frac{1}{2}$ " ... ..	1	1	1	1	
21	825 840 M1	Bearing—Main—Standard Size ... ..	3 pr.	3 pr.	3 pr.	3 pr.	
	825 837 M1	Bearing—Main—.010" Undersize ... ..	A.R.	A.R.	A.R.	A.R.	
	825 982 M1	Bearing—Main—.020" Undersize ... ..	A.R.	A.R.	A.R.	A.R.	
	825 983 M1	Bearing—Main—.030" Undersize ... ..	A.R.	A.R.	A.R.	A.R.	
	825 984 M1	Bearing—Main—.040" Undersize ... ..	A.R.	A.R.	A.R.	A.R.	
22	55544	Crankshaft (Engines S1E to S100E only) ... ..	1				
	825 216 M1	Crankshaft ... ..	1	1	1	1	
23	825 111 M1	Washer—Top Thrust ... ..	2	2	2	2	
	826 239 M1	Washer—Top Thrust—.005" O/S ... ..	A.R.	A.R.	A.R.	A.R.	
24	825 293 M1	Washer—Fibre— $\frac{5}{8}$ " I/dia. $\times$ $\frac{7}{8}$ " O/dia. $\times$ $\frac{1}{16}$ " thk. ... ..	1	1	1	1	
	825 294 M1	Washer—Fibre— $\frac{9}{16}$ " I/dia. $\times$ $\frac{1}{8}$ " O/dia. $\times$ $\frac{1}{16}$ " thk. ... ..	1	1	1	1	
25	825 205 M1	Screw—Union— $\frac{9}{16}$ " $\times$ 18 N.C. ... ..	1	1	1	1	
26	2951X	Key—Woodruff—Chain Wheel and Pulley ... ..	2	2	2	2	
27	353 589 X1	Bolt—Hex. ... ..	1*		1*	1*	
	353 426 X1	Nut—Hex. ... ..	1*		1*	1*	
	353 432 X1	Washer—Lock ... ..	1*		1*	1*	
	353 517 X1	Bolt—Hex. ... ..	1†	1	1†	1†	
	353 916 X1	Nut—Hex. ... ..	1†	1	1†	1†	
	353 446 X1	Washer—Lock ... ..	1†	1	1†	1†	
* Up to S78,293E (Pet.), S132,605E (V.O.) and SB119E (L.O.) † S78,294E (Pet.), S132,606E (V.O.), SB120E (L.O.) and future.							

SM7UCZ

"20" TRACTOR PARTS LIST

Ref. No.	Part No.	Description	No. Off				
			80 m/m Pet.	85 m/m Pet.	85 m/m V.O.	85 m/m L.O.	20C Diesel
28	56418 825 367 M1	<b>Distance Piece—Dynamo Bracket</b> ... <b>Link—Dynamo Adjusting</b> ...	1* 1†		1* 1†	1* 1†	
29	353 885 X1 353 432 X1 353 757 X1 353 678 X1 353 446 X1 353 755 X1 500837	<b>Bolt—Hex.</b> ... <b>Washer—Lock</b> ... <b>Washer</b> ... <b>Bolt—Hex.</b> ... <b>Washer—Lock</b> ... <b>Washer—Flat</b> ... <b>Washer—Flat</b> ...	1* 1* 1* 1† 1† 1† A.R.†		1* 1* 1* 1† 1† 1† A.R.†	1* 1* 1* 1† 1† 1† A.R.†	
30	353 677 X1 353 446 X1	<b>Screw—Set</b> ... <b>Washer—Lock</b> ...	2 2	2 2	2 2	2 2	
31	56417 100767	<b>Bracket Assembly—Dynamo</b> ... <b>Bracket Assembly—Dynamo</b> ...	1* 1†		1* 1†	1* 1†	
32	825 326 M1	<b>Tap—Drain—<math>\frac{1}{2}</math>" N.F.</b> ...	1	1	1	1	
33	825 291 M1	<b>Washer—Fibre—Drain Tap</b> ...	1	1	1	1	
<b>NOT ILLUSTRATED</b>							
	353 519 X1 353 916 X1 353 446 X1	<b>Bolt—Dynamo to Bracket</b> ... <b>Nut—Hex.</b> ... <b>Washer—Lock</b> ...	2† 2† 2†	2 2 2	2† 2† 2†	2† 2† 2†	
	101648 101649 101676 353 434 X1	<b>Cover—Water Pump</b> ... Inlet Hole ... <b>Gasket—Water Pump</b> ... Inlet Hole Cover ... <b>Bolt—Cover</b> ... <b>Washer—Lock</b> ...		1 1 2 2	1 1 2 2	1 1 2 2	
		Up to Eng. Nos :— SC30760E (Petrol) & SB8404E (L.O.)					
		* Up to S78,293E (Pet.) S132,605E (V.O.) and SB119E (L.O.) † S78,294E (Pet.), S132,606E (V.O.), SB120E (L.O.) and future. # S170,174E to S202,958E only (V.O.)					

SM7UCZ

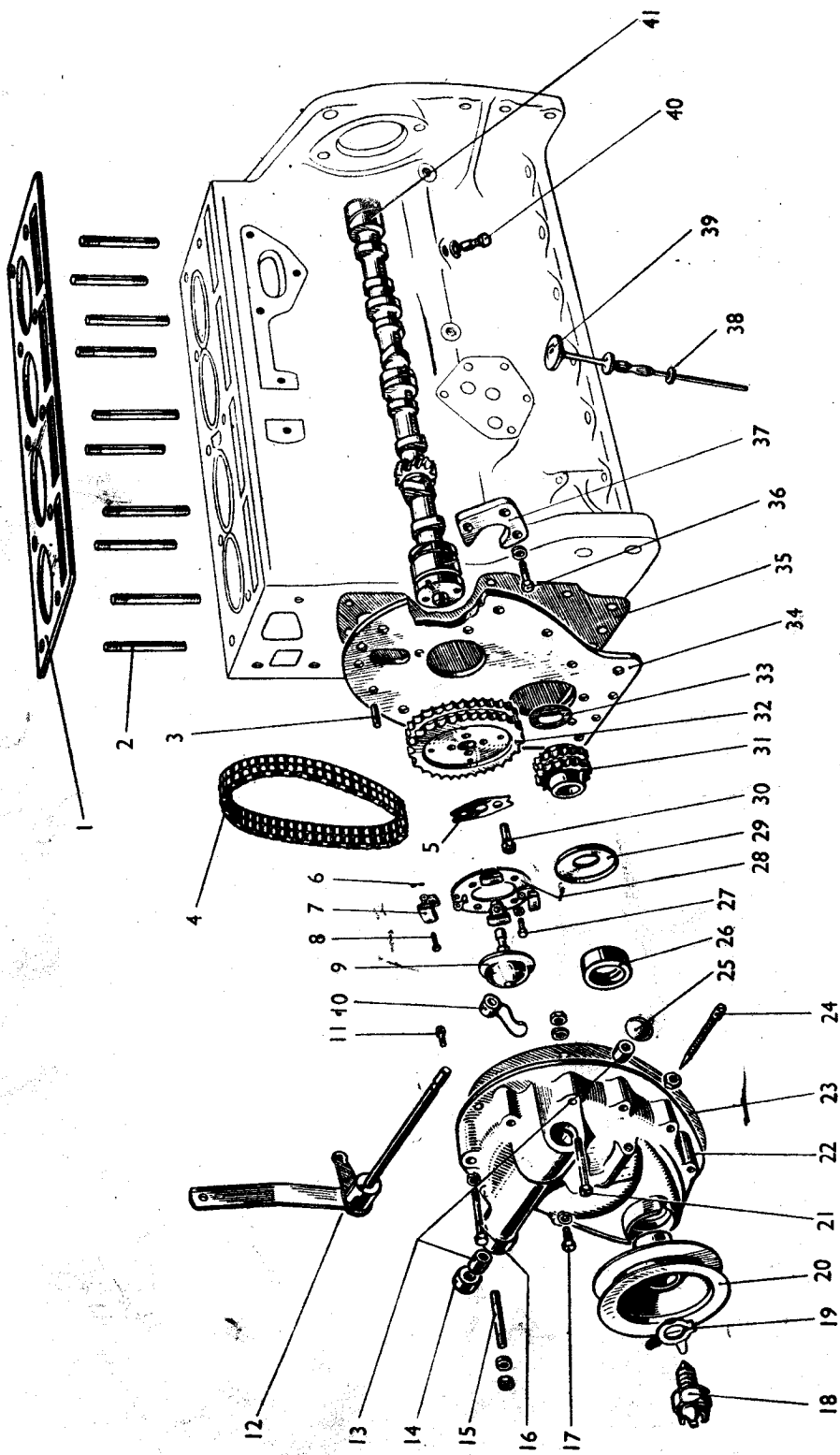


FIG. 22

SM7UCZ



"20" TRACTOR PARTS LIST

Ref. No.	Part No.	Description	No. Off				
			80 m/m Pet.	85 m/m Pet.	85 m/m V.O.	85 m/m L.O.	20C Diesel
<b>FIG. 22. CAMSHAFT, TIMING COVER AND GOVERNOR DETAILS.</b>							
1	61849 202085  202084	Gasket—Cylinder Head ... .. Gasket—Cylinder Head } Refer Service Gasket—Cylinder Head } Information No. 1... Head } for Usage.	1		1	1	1
2	55942 825 364 M1  826 304 M1  101223	Stud— $\frac{7}{16}$ " N.C. & N.F. x $4\frac{27}{32}$ " ... .. Stud— $\frac{7}{16}$ " N.C. & N.F. x $5\frac{1}{4}$ " (Up to S170173E (V.O.) ... .. Stud— $\frac{7}{16}$ " N.C. & N.F. x $5\frac{1}{2}$ " (S170174E and future) ... .. Stud— $\frac{7}{16}$ " N.C. & N.F. x $5\frac{3}{8}$ " ... ..	10		10	10	10
3	825 366 M1	Dowel— $\frac{5}{16}$ " Dia. x $\frac{3}{4}$ " ... ..	2	2	2	2	2
4	825 199 M1 825 886 M1	Chain—Duplex } Chain—Duplex } Alternatives	1	1	1	1	1
5	825 151 M1	Plate—Lock—Chain Wheel to Camshaft ...	1	1	1	1	1
6	354 039 X1	Pin—Cotter ... ..	4	4	4	4	4
7	825 156 M91	Weight Assembly—Governor ... ..	4	4	4	4	4
8	825 891 M1 825 297 M1	Pin—Fulcrum—Governor Weight ... .. Washer—Fulcrum Pin ... ..	4 4	4 4	4 4	4 4	4 4
9	825 157 M91	Cup and Shaft Assembly ... ..	1	1	1	1	1
10	56724 825 404 M1	Arm—Governor Rocker ... .. Arm—Governor Rocker ... ..	1 1	1 1	1 1	1 1	1 1
11	825 198 M1	Screw—Taper Set ... ..	1	1	1	1	1
12	103485  57088  825 403 M91  825 808 M91	Shaft and Lever Assembly— Governor } Alternatives Shaft and Lever Assembly— Governor } Shaft and Lever Assembly— Governor } Alternatives Shaft and Lever Assembly— Governor }	1	1	1	1	1
13	825 896 M1  825 902 M1 825 903 M1	Bearing—Needle Roller—Governor Shaft (All Types) ... .. Bearing—Needle Roller } For 57088 and Bush—Needle Roller Bearing } 825 403 M91 only	2 2 2	2 2 2	2 2 2	2 2 2	2 2 2
* S112,391E (Pet.), S165,407E (V.O.), SB2,733E (L.O.) and future. † Up to S112,390E (Pet.), S165,406E (V.O.) and SB2,732E (L.O.)							

SM7UCZ

**"20" TRACTOR PARTS LIST**

Ref. No.	Part No.	Description	No. Off				
			80 m/m Pet.	85 m/m Pet.	85 m/m V.O.	85 m/m L.O.	20C Diesel
14	825 154 M1	Seal—Dust and Oil—Governor Shaft ... ..	1	1	1	1	
15	825 288 M1	Stud— $\frac{5}{16}$ " N.C. & N.F. x $2\frac{1}{16}$ " ... ..	1	1	1	1	
	353 916 X1	Nut—Hex. ... ..	1	1	1	1	
	353 446 X1	Washer—Lock ... ..	1	1	1	1	
16	354 614 X1	Bolt—Hex. ... ..	8*	8*	8*	8*	
	354 614 X1	Bolt—Hex. ... ..		7†	7†	7†	
	354 616 X1	Bolt—Hex. ... ..		1†	1†	1†	
	353 446 X1	Washer—Lock ... ..	8	8	8	8	
17	825 207 M1	Screw—Locating— $\frac{1}{4}$ " N.C. ... ..	1	1	1	1	
	353 441 X1	Washer—Lock ... ..	1	1	1	1	
18	825 170 M1	Jaw—Starter... ..	1	1	1	1	
	825 103 M1	Shim—Starter Jaw ... ..	A.R.	A.R.	A.R.	A.R.	
19	825 185 M1	Washer—Tab—Starter Jaw ... ..	1	1	1	1	
20	825 158 M1	Pulley—Crankshaft ... ..	1	1	1	1	
21	353 528 X1	Bolt—Hex. ... ..	3	3	3	3	
	353 916 X1	Nut—Hex. ... ..	3	3	3	3	
	353 446 X1	Washer—Lock ... ..	3	3	3	3	
22	825 150 M1	Cover—Timing ... ..	1	1	1	1	
23	825 645 M1	Joint—Timing Cover ... ..	1	1	1	1	
24	825 152 M1	Screw—Governor Bumper Adjusting ... ..	1	1	1	1	
	375 107 X1	Nut—Hex.—Jam ... ..	1	1	1	1	
	56295	Spring—Governor Bumper ... ..	1	1‡	1‡	1‡	
	825 405 M1	Spring—Governor Bumper ... ..		1ø	1ø	1ø	
	16 862 X	Rivet—Governor Bumper Spring ... ..	2	2	2	2	

\* Up to S78,293E (Pet.), S132,605E (V.O.) and SB119E (L.O.)  
 † S78,294E (Pet.), S132,606E (V.O.), SB120E (L.O.) and future.  
 ø S112,391E (Pet.), S165,407E (V.O.), SB2,733E (L.O.) and future.  
 ‡ Up to S112,390E (Pet.), S165,406E (V.O.) and SB2,732E (L.O.)

SM7UCZ



**"20" TRACTOR PARTS LIST**

Ref. No.	Part No.	Description	No. Off				
			80 m/m Pet.	85 m/m Pet.	85 m/m V.O.	85 m/m L.O.	20C Diesel
14	825 154 M1	Seal—Dust and Oil—Governor Shaft ... ..	1	1	1	1	
15	825 288 M1	Stud— $\frac{5}{16}$ " N.C. & N.F. x $2\frac{1}{8}$ " ... ..	1	1	1	1	
	353 916 X1	Nut—Hex. ... ..	1	1	1	1	
	353 446 X1	Washer—Lock ... ..	1	1	1	1	
16	354 614 X1	Bolt—Hex. ... ..	8*	8*	8*	8*	
	354 614 X1	Bolt—Hex. ... ..		7†	7†	7†	
	354 616 X1	Bolt—Hex. ... ..		1†	1†	1†	
	353 446 X1	Washer—Lock ... ..	8	8	8	8	
17	825 207 M1	Screw—Locating— $\frac{1}{4}$ " N.C. ... ..	1	1	1	1	
	353 441 X1	Washer—Lock ... ..	1	1	1	1	
18	825 170 M1	Jaw—Starter... ..	1	1	1	1	
	825 103 M1	Shim—Starter Jaw ... ..	A.R.	A.R.	A.R.	A.R.	
19	825 185 M1	Washer—Tab—Starter Jaw ... ..	1	1	1	1	
20	825 158 M1	Pulley—Crankshaft ... ..	1	1	1	1	
21	353 528 X1	Bolt—Hex. ... ..	3	3	3	3	
	353 916 X1	Nut—Hex. ... ..	3	3	3	3	
	353 446 X1	Washer—Lock ... ..	3	3	3	3	
22	825 150 M1	Cover—Timing ... ..	1	1	1	1	
23	825 645 M1	Joint—Timing Cover ... ..	1	1	1	1	
24	825 152 M1	Screw—Governor Bumper Adjusting ... ..	1	1	1	1	
	375 107 X1	Nut—Hex.—Jam ... ..	1	1	1	1	
	56295	Spring—Governor Bumper ... ..	1	1‡	1‡	1‡	
	825 405 M1	Spring—Governor Bumper ... ..		1ø	1ø	1ø	
	16 862 X	Rivet—Governor Bumper Spring ... ..	2	2	2	2	

\* Up to S78,293E (Pet.), S132,605E (V.O.) and SB119E (L.O.)  
 † S78,294E (Pet.), S132,606E (V.O.), SB120E (L.O.) and future.  
 ø S112,391E (Pet.), S165,407E (V.O.), SB2,733E (L.O.) and future.  
 ‡ Up to S112,390E (Pet.), S165,406E (V.O.) and SB2,732E (L.O.)

SM7UCZ

**"20" TRACTOR PARTS LIST**

Ref. No.	Part No.	Description	No. Off				
			80 m/m Pet.	85 m/m Pet.	85 m/m V.O.	85 m/m L.O.	20C Diesel
25	825 114 M1	Plug—Core—Timing Cover ... ..	1	1	1	1	
26	825 740 M1	Seal—Oil—Crankshaft Front ... ..	1	1	1	1	
27	353 500 X1	Screw—Set ... ..	4	4	4	4	
	353 441 X1	Washer—Lock ... ..	4	4	4	4	
28	825 155 M1	Plate—Governor Weight Anchor ... ..	1	1	1	1	
29	825 200 M1	Deflector—Oil—Crankshaft ... ..	1	1	1	1	
30	825 165 M1	Screw—Set—Wheel to Camshaft... ..	2	2	2	2	
31	825 136 M1	Wheel—Crankshaft Chain ... ..	1	1	1	1	
32	825 135 M1	Wheel—Camshaft Chain ... ..	1	1	1	1	
33	825 177 M1	Shim—.004"—Crankshaft—Front End ... ..	A.R.	A.R.	A.R.	A.R.	
	825 178 M1	Shim—.006"—Crankshaft—Front End ... ..	A.R.	A.R.	A.R.	A.R.	
34	825 167 M1	Plate—Front Engine ... ..	1	1	1	1	
	353 677 X1	Bolt—Hex. ... ..	4	4	4	4	
	353 446 X1	Washer—Lock ... ..	4	4	4	4	
35	825 168 M1	Washer—Front Engine Plate ... ..	1	1	1	1	
36	825 166 M1	Screw—Set—Camshaft Locating Plate ... ..	3	3	3	3	
	353 446 X1	Washer—Lock ... ..	3	3	3	3	
37	825 169 M1	Plate—Camshaft Locating ... ..	1	1	1	1	
38	825 105 M1	Washer—Felt—Dipstick ... ..	1	1	1	1	
39	825 738 M91	Dipstick Assembly ... ..	1	1	1	1	
40	825 734 M1	Screw—Banjo—Oil Pressure Gauge ... ..	1	1	1	1	
	825 747 M1	Washer—Copper ... ..	2	2	2	2	
41	56216	Camshaft (Up to S170173E — V.O.) ... ..	1		1		
	300385	Camshaft (S170,174E and future—V.O.) ... ..		1	1	1	

SM7UCZ

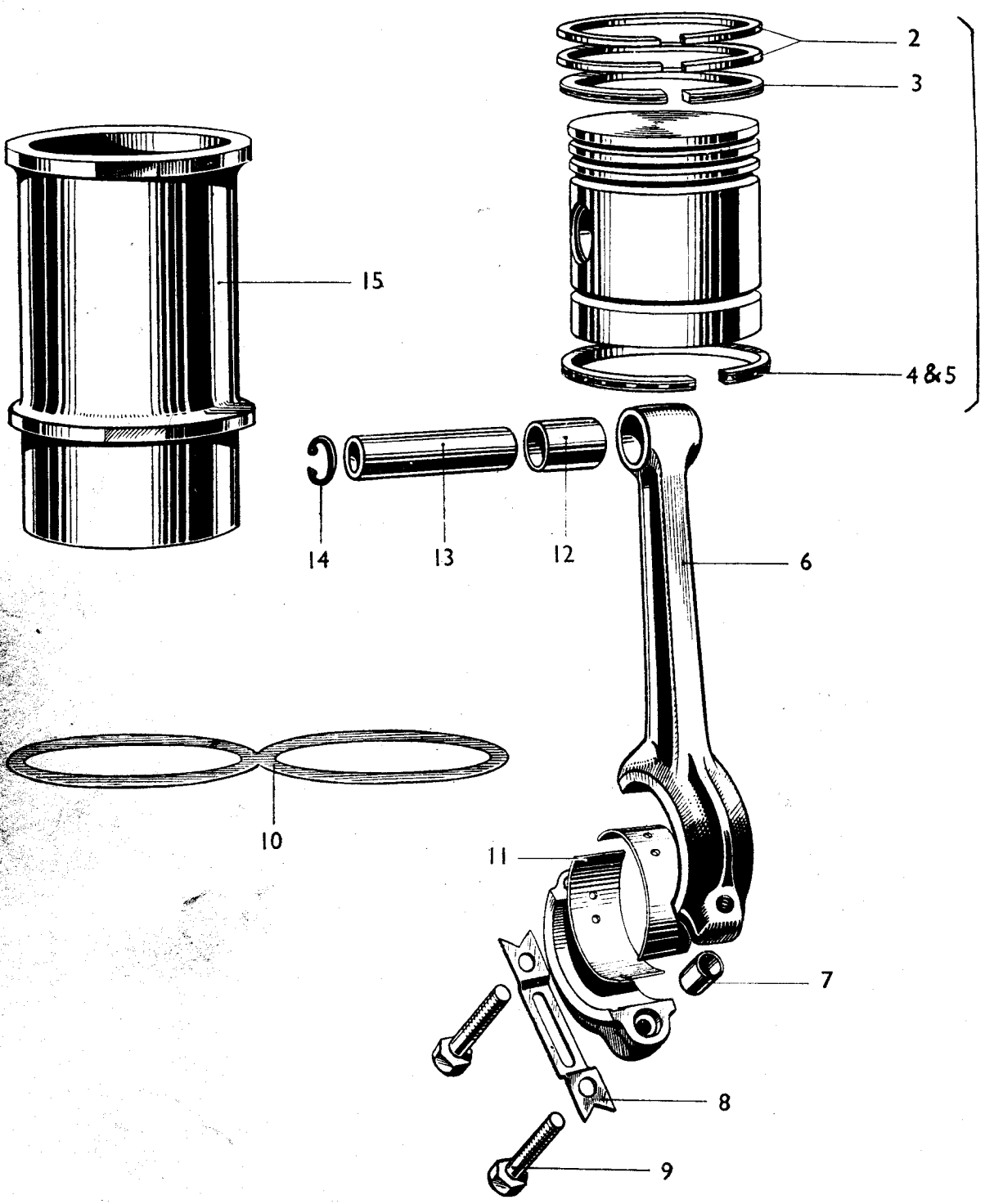


FIG. 23

SM7UCZ

**"20" TRACTOR PARTS LIST**

Ref. No.	Part No.	Description	No. Off				
			80 m/m Pet.	85 m/m Pet.	85 m/m V.O.	85 m/m L.O.	20C Diesel
<b>FIG. 23. PISTON, CONNECTING ROD, SLEEVE AND RELATED PARTS</b>							
1	58141	Piston Assembly—Includes Rings, Gudgeon Pin and Circlips ... ..	4				
	58141/2	Piston Assembly—.020" oversize ... ..	A.R.				
	57736	Piston Assembly—90 mm Stroke Engines and High Altitude ... ..	4				
	*61433	Piston Assembly—High Altitude ... ..	4				
	*61435	Piston Assembly—High Altitude ... ..	4				
	200570	Piston Assembly ... ..			4		
	200570/2	Piston Assembly—.020" oversize ... ..			A.R.		
	*200103	Piston Assembly ... ..			4†		
	200103/2	Piston Assembly—.020" oversize ... ..			A.R.		
	*102968	Piston Assembly ... ..			4‡		
	102968/2	Piston Assembly—.020" oversize ... ..			A.R.		
	*200470	Piston Assembly ... ..					4
200470/2	Piston Assembly—.020" ... ..					A.R.	
2	60128	Ring—Compression— $\frac{3}{32}$ " wide ... ..	4				
	60128/1	Ring—Compression—.010" oversize ... ..	A.R.				
	60128/2	Ring—Compression—.020" oversize ... ..	A.R.				
	60128/3	Ring—Compression—.030" oversize ... ..	A.R.				
	101706	Ring—Compression—.0787" wide ... ..		4	4	4	
	101706/1	Ring—Compression—.010" oversize ... ..		A.R.	A.R.	A.R.	
	101706/2	Ring—Compression—.020" oversize ... ..		A.R.	A.R.	A.R.	
	101706/3	Ring—Compression—.030" oversize ... ..		A.R.	A.R.	A.R.	
3	60128	Ring—Compression— $\frac{3}{32}$ " wide ... ..	4				
	60128/1	Ring—Compression—.010" oversize ... ..	A.R.				
	60128/2	Ring—Compression—.020" oversize ... ..	A.R.				
	60128/3	Ring—Compression—.030" oversize ... ..	A.R.				
	101706	Ring—Compression—.0787" wide ... ..		4	8	8	
	101706/1	Ring—Compression—.010" oversize ... ..		A.R.	A.R.	A.R.	
	101706/2	Ring—Compression—.020" oversize ... ..		A.R.	A.R.	A.R.	
101706/3	Ring—Compression—.030" oversize ... ..		A.R.	A.R.	A.R.		
4	60129	Ring—Scraper— $\frac{3}{16}$ " wide—Slotted ... ..	4				
	60129/1	Ring—Scraper—.010" oversize ... ..	A.R.				
	60129/2	Ring—Scraper—.020" oversize ... ..	A.R.				
	60129/3	Ring—Scraper—.030" oversize ... ..	A.R.				
	60316	Ring—Scraper— $\frac{3}{16}$ " wide—Slotted ... ..		4	4		
	60316/1	Ring—Scraper—.010" oversize ... ..		A.R.	A.R.		
	60316/2	Ring—Scraper—.020" oversize ... ..		A.R.	A.R.		
	60316/3	Ring—Scraper—.030" oversize ... ..		A.R.	A.R.		
	101708	Ring—Scraper—Slotted ... ..					4
	101708/1	Ring— " " .010" oversize ... ..					A.R.
	101708/2	Ring— " " .020" oversize ... ..					A.R.
101708/3	Ring— " " .030" oversize ... ..					A.R.	

\* Available in Grades F, G and H.  
 † Up to S170173E (V.O.)  
 ‡ S170,174E and future (V.O.)



**'20' TRACTOR PARTS LIST**

Ref. No.	Part No.	Description	No. Off				
			80 m/m Pet.	85 m/m Pet.	85 m/m V.O.	85 m/m L.O.	20C Diesel
5	60133	Ring—Scraper— $\frac{5}{8}$ " wide-Slotted ... ..	4				
	60133/1	Ring—Scraper—.010" oversize ... ..	A.R.				
	60133/2	Ring—Scraper—.020" oversize ... ..	A.R.				
	60133/3	Ring—Scraper—.030" oversize ... ..	A.R.				
	60253	Ring—Scraper— $\frac{5}{8}$ " wide-Slotted ... ..		4	4		
	60253/1	Ring—Scraper—.010" oversize ... ..		A.R.	A.R.		
	60253/2	Ring—Scraper—.020" oversize ... ..		A.R.	A.R.		
	60253/3	Ring—Scraper—.030" oversize ... ..		A.R.	A.R.		
	101708	Ring—Scraper—Slotted ... ..				4	
	101708/1	Ring—Scraper—.010" oversize ... ..				A.R.	
	101708/2	Ring—Scraper—.020" oversize ... ..				A.R.	
	101708/3	Ring—Scraper—.030" oversize ... ..				A.R.	
6	58393/094	Rod—Connecting Assembly—Heavy	4	4	4	4	
	58393/951	Rod—Connecting Assembly—Light					
	825 456 M91	Rod—Connecting Assembly (Eng. SC45137E, S212884E or SB9645E and future) ... .. Each Includes items 7, 8, 9 and 12. ... ..		4	4	4	
7	825 304 M1	Bush—Connecting Rod Bolt ... ..	8	8	8	8	
8	825 140 M1	Washer—Tab—Connecting Rod Bolt ... ..	4	4	4	4	



**“20” TRACTOR PARTS LIST**

Ref. No.	Part No.	Description	No. Off				
			80 m/m Pet.	85 m/m Pet.	85 m/m V.O.	85 m/m L.O.	20C Diesel
9	825 381 M1 56212	<b>Bolt</b> —Connecting Rod ... ..	8	8	8	8	
		<b>Bolt</b> —Connecting Rod (for 58393/951 only ) ...	8				
10	56285 56286	<b>Gasket</b> —Cylinder Liner ... ..	2				
		<b>Gasket</b> —Cylinder Liner ... ..		2	2	2	
11	56252 56252/2 56252/3 56252/4 825 315 M1 825 316 M1 825 317 M1 825 318 M1 825 319 M1	<b>Bearing</b> —Connecting Rod—used for 58393/951	4 pr.				
		<b>Bearing</b> —Connecting Rod—.020" undersize ...	A.R.				
		<b>Bearing</b> —Connecting Rod—.030" undersize ...	A.R.				
		<b>Bearing</b> —Connecting Rod—.040" undersize ...	A.R.				
		<b>Bearing</b> —Connecting Rod—used for 58393/094	4 pr.	4 pr.	4 pr.	4 pr.	
		<b>Bearing</b> —Connecting Rod—.010" undersize ...	A.R.	A.R.	A.R.	A.R.	
		<b>Bearing</b> —Connecting Rod—.020" undersize ...	A.R.	A.R.	A.R.	A.R.	
		<b>Bearing</b> —Connecting Rod—.030" undersize ...	A.R.	A.R.	A.R.	A.R.	
12	825 146 M1	<b>Bush</b> —Connecting Rod ... ..	4	4	4	4	
		<b>Bush</b> —Connecting Rod ... ..					
13	60130 825 667 M1	<b>Pin</b> —Gudgeon ... ..	4				
		<b>Pin</b> —Gudgeon ... ..		4	4	4	
14	825 113 M1	<b>Circlip</b> —Gudgeon Pin Retaining ... ..	8	8	8	8	
15	*56203 *56205	<b>Liner</b> —Cylinder ... ..	4				
		<b>Liner</b> —Cylinder ... ..		4	4	4	
<b>NOT ILLUSTRATED</b>							
	501364	Piston and Liner Set ... ..	A.R.				
	501365	Piston and Liner Set ... ..		A.R.			
	501366	Piston and Liner Set (up to 209809) ... ..			A.R.		
	501367	Piston and Liner Set (from 209810) ... .. each includes 4 pistons and 4 liners			A.R.		

\* Available in Grades, F, G and H.

SM7UCZ

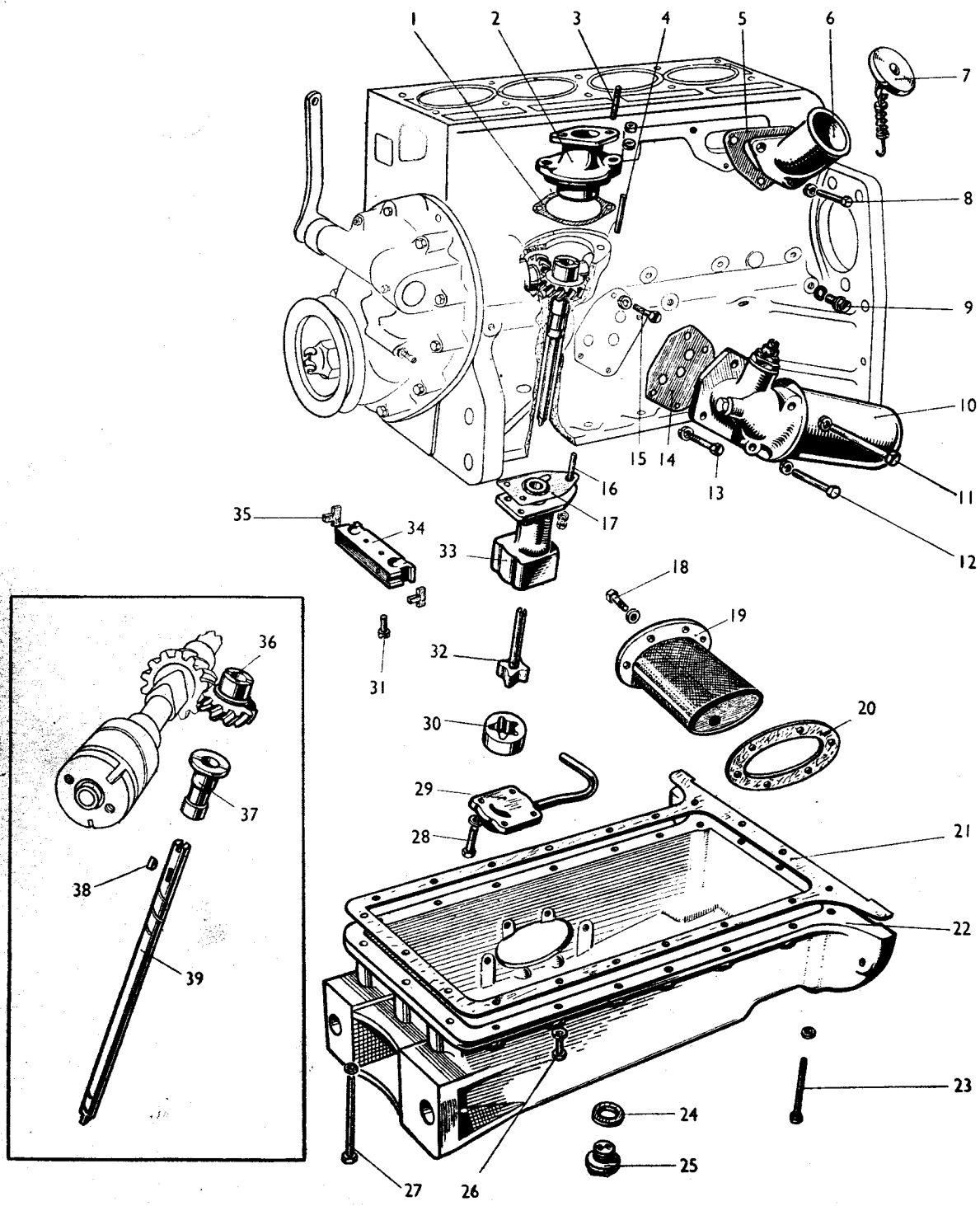


FIG. 24

SM7UCZ

**'20' TRACTOR PARTS LIST**

Ref. No.	Part No.	Description	No. Off				
			80 m/m Pet.	85 m/m Pet.	85 m/m V.O.	85 m/m L.O.	20C Diesel
<b>FIG. 24. OIL SUMP, OIL PUMP AND DISTRIBUTOR SHAFT DETAILS.</b>							
1	825 662 M1	Washer—Distributor Adaptor ... ..	1	1	1	1	
2	825 172 M1	Adaptor—Distributor ... ..	1	1	1	1	
3	825 741 M1	Stud— $\frac{1}{4}$ " N.F. and N.C. x .84" ... ..	2	2	2	2	
	353 918 X1	Nut—Hex ... ..	2	2	2	2	
	353 441 X1	Washer—Lock ... ..	2	2	2	2	
	353 754 X1	Washer—Flat ... ..	2	2	2	2	
4	825 285 M1	Stud— $\frac{5}{16}$ " N.F. and N.C. x $1\frac{5}{16}$ " ... ..	2	2	2	2	
	353 916 X1	Nut—Hex. ... ..	2	2	2	2	
	353 446 X1	Washer—Lock ... ..	2	2	2	2	
5	825 655 M1	Washer—Filler Body to Cylinder Block ...	1	1	1	1	
6	825 214 M1	Body—Oil Filler ... ..	1	1	1	1	
7	825 398 M91	Cap Assembly—Oil Filler ... ..	1	1	1	1	
8	353 677 X1	Bolt—Filler Body to Cylinder Block ... ..	3	3	3	3	
	353 446 X1	Washer—Lock ... ..	3	3	3	3	
9	825 402 M1	Screw—Set—Oil Gallery ... ..	3	3	3	3	
	825 484 M1	Washer—Copper ... ..	3	3	3	3	
10	59383	Oil Filter—Inclined—See Fig. 26A ... ..	1	1	1	1	
	57765	Oil Filter—Vertical—See Fig. 26 ... ..	1				
	825 913 M91	Oil Filter—Inclined—See Fig. 26B ... ..		1	1	1	
11	825 918 M1	Bolt—Filter Attachment ... ..	1	1	1	1	
	353 446 X1	Washer—Lock ... ..	1	1	1	1	
	355 507 X1	Bolt—Filter Attachment (for 57765 only) ... ..	2				
	353 446 X1	Washer—Lock ... ..	2				
12	825 917 M1	Bolt—Filter Attachment ... ..	1	1	1	1	
	353 446 X1	Washer—Lock ... ..	1	1	1	1	
	354 620 X1	Bolt—Filter Attachment (for 57765 only) ... ..	1				
	353 446 X1	Washer—Lock ... ..	1				
13	353 679 X1	Bolt—Filter Attachment—for 59383 ... ..	1	1	1	1	
	353 446 X1	Washer—Lock ... ..	1	1	1	1	
	825 916 M1	Bolt—Filter Attachment—for 825 913 M91 ... ..		1	1	1	

*Man 10*  
*H 827/10*

SM7UCZ

**“20” TRACTOR PARTS LIST**

Ref. No.	Part No.	Description	No. Of				
			80 m/m Pet.	85 m/m Pet.	85 m/m V.O.	85 m/m L.O.	20C Diesel
14	56420	<b>Washer—Oil Filter to Cylinder Block—for 59383</b>	1	1	1	1	
	57767	<b>Washer—Oil Filter to Cylinder Block—for 57765</b>	1				
	825 914 M1	<b>Washer—Oil Filter to Cylinder Block—for 825 913 M91</b>		1	1	1	
15	353 680 X1	<b>Bolt—Filter Attachment—for 59383</b>	1	1	1	1	
	353 446 X1	<b>Washer—Lock</b>	1	1	1	1	
	59874	<b>Stud—<math>\frac{5}{16}</math>" N.F. and N.C. x <math>1\frac{1}{8}</math>"—Filter Attachment for 57765</b>	1				
	353 916 X1	<b>Nut—Hex.</b>	1				
	825 916 M1	<b>Washer—Lock</b>	1				
16	825 666 M1	<b>Bolt—Filter Attachment—for 825 913 M91</b>		1	1	1	
	353 916 X1	<b>Stud—<math>\frac{5}{16}</math>" N.F. and N.C. x <math>1\frac{1}{4}</math>"—Oil Pump Attachment</b>	3	3	3	3	
	353 446 X1	<b>Nut—Hex.</b>	3	3	3	3	
	353 446 X1	<b>Washer—Lock</b>	3	3	3	3	
17	825 652 M1	<b>Washer—Oil Pump to Cylinder Block</b>	1	1	1	1	
18	353 676 X1	<b>Screw—Set—Filter to Oil Sump</b>	6				
	353 755 X1	<b>Washer—Flat</b>	6				
	825 324 M1	<b>Stud—<math>\frac{5}{16}</math>" N.C. and N.F. x <math>\frac{7}{8}</math>"—Filter to Oil Sump</b>		6	6	6	
	353 755 X1	<b>Washer—Flat</b>		6	6	6	
	353 916 X1	<b>Nut—Hex.</b>		6	6	6	
19	825 164 M91 } or 825 925 M91 }	<b>Oil Filter Assembly—Suction</b>	1	1	1	1	
	825 653 M1	<b>Joint—Oil Filter Cover</b>	1	1	1	1	
21	825 654 M1	<b>Washer—Oil Sump</b>	1	1	1	1	
22	59323	<b>Oil Sump</b>	1	1	1	1	
23	354 901 X1	<b>Bolt—Rear of Sump</b>	4	4	4	4	
	353 446 X1	<b>Washer—Lock</b>	4	4	4	4	
24	825 295 M1	<b>Washer—Fibre—Drain Plug</b>	1	1	1	1	
25	825 219 M1	<b>Plug—Drain—1" x 14 N.F.</b>	1	1	1	1	
26	825 920 M1	<b>Screw—Set—Sides of Sump</b>	12	12	12	12	
	353 446 X1	<b>Washer—Lock</b>	12	12	12	12	

SM7UCZ

**“20” TRACTOR PARTS LIST**

Ref. No.	Part No.	Description	No. Off				
			80 m/m Pet.	85 m/m Pet.	85 m/m V.O.	85 m/m L.O.	20C Diesel
27	31CBH550B	<b>Bolt—Front of Sump</b> ... ..	3	3	3	3	
	353 446 X1	<b>Washer—Lock</b> ... ..	3	3	3	3	
	825 494 M91	<b>Oil Pump Assembly—Comprising items 28, 29, 30, 32 and 33</b> ... ..	1	1	1	1	
28	SP.1.C.	<b>Bolt—<math>\frac{1}{4}</math>" B.S.F. <math>\times</math> <math>\frac{3}{4}</math>" Cover to Oil Pump</b> ...	4	4	4	4	
	353 441 X1	<b>Washer—Lock</b> ... ..	4	4	4	4	
29	825 204 M91	<b>Cover Assembly—Oil Pump</b> ... ..	1	1	1	1	
30		<b>Rotor—Not Serviced. Order 827 501 M91</b>					
31	825 184 M1	<b>Screw—Ch. Hd.—Sealing Block Attachment</b> ...	2	2	2	2	
32	827 501 M91	<b>Spindle and Rotor Assy. (Inc. Item 30)</b> ...	1	1	1	1	
33	57319	<b>Body—Oil Pump (up to 250,171)</b> ... ..	1	1	1	1	
	825 455 M1	<b>Body—Oil Pump (250,172 and future)</b> ... ..	1	1	1	1	
34	825 126 M1	<b>Sealing Block—Front</b> ... ..	1	1	1	1	
35	825 261 M1	<b>Sealing Pad—Sealing Block</b> ... ..	2	2	2	2	
36	825 264 M91	<b>Gear Assembly—Driving</b> ... ..	1	1	1	1	
37	825 171 M1	<b>Bush—Oil Pump Shaft</b> ... ..	1	1	1	1	
38	13 793X	<b>Key—Woodruff No. 2</b> ... ..	1	1	1	1	
39	825 263 M1	<b>Drive Shaft—Oil Pump</b> ... ..	1	1	1	1	

SM7UCZ

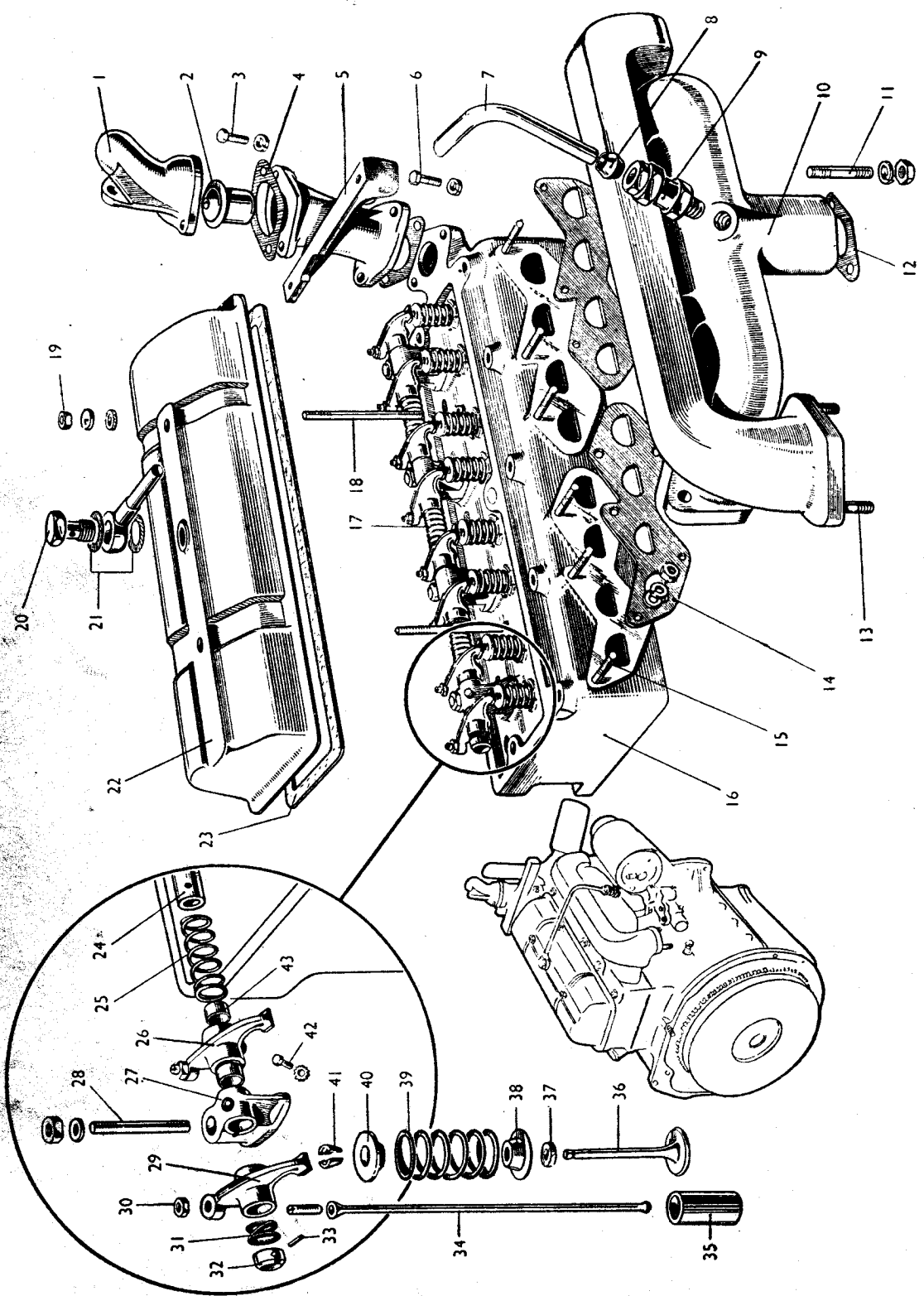


FIG. 25

SM7UCZ

**"20" TRACTOR PARTS LIST**

Ref. No.	Part No.	Description	No. Off					
			80 m/m Pet.	85 m/m Pet.	85 m/m V.O.	85 m/m L.O.	20C Diesel	
		<b>FIG. 25 CYLINDER HEAD AND RELATED PARTS.</b>						
	59898	Head—Cylinder Assembly complete with Studs, Valves, Guides and Springs ... ..	1					
	500544	Head—Cylinder Assembly as above ... ..		1				
	300307	Head—Cylinder Assembly as above (Up to S170,173E) ... ..			1			
	501811	Head—Cylinder Assembly as above (S170,174E and future) ... ..			1			
	500512	Head—Cylinder Assembly as above ... ..					1	
1	57042	Elbow—Water Outlet ... ..	1	1	1		1	
2	825 395 M1	Thermostat Unit ... ..	1	1				
	826 306 M1	Thermostat Unit ... ..			1		1	
3	353 678 X1	Bolt—Elbow to Body ... ..	2	2	2		2	
	353 446 X1	Washer—Lock ... ..	2	2	2		2	
4	825 659 M1	Gasket—Elbow to Thermostat Body and Body to Cylinder Head ... ..	2	2	2		2	
5	57030	Body—Thermostat ... ..	1					
	200192	Body—Thermostat ... ..					1*	
	200673	Body—Thermostat ... ..						
	200781	Body—Thermostat (S165,407E to S170,173E—V.O.) ... ..		1*				
	200782	Body—Thermostat (S170,174E and future) ... ..		†	1			
	200452	Body—Thermostat ... ..						1
	57073	Connection—Bypass Water—not illustrated ... ..	1	1	1		1	
	827 618 M1	Clip—Pipe—not illustrated ... ..	2	2	2		2	
6	353 678 X1	Bolt—Body to Cylinder Head ... ..	2	2	2			
	353 446 X1	Washer—Lock ... ..	2	2	2			
	101674	Stud— $\frac{5}{8}$ " x $1\frac{1}{2}$ " ... ..						2
	353 916 X1	Nut—Hex. ... ..						2
7	60898	Tube Assembly—Connecting ... ..	1	1				
	826 326 M91	Tube Assembly—Connecting ... ..			1		1	
	60901	Pin—Vent Valve ... ..	1	1‡	1‡		1‡	
	60966	Washer—Vent Valve ... ..	1	1‡	1‡		1‡	
	825 414 M1	Distance Piece ... ..		1ø	1ø		1ø	
8	59890	Sleeve—Tube to Vent Valve 57889 ... ..	1					
9	57889	Valve Assembly—Crankcase Vent ... ..	1					
	37417	Washer ... ..	1					
		<i>1 3/4 Plug stop 825</i> <i>1 1/4</i>						
		* Up to S112,390E (Pet.), S165,406E (V.O.) † S112,391E (Pet.) and future ‡ Up to SC12,030E (Pet.), S183,052E (V.O.) and SB5,165E (L.O.) ø SC12,031E (Pet.), S183,053E (V.O.), SB5,166E (L.O.) and future.						

SM7UCZ

**“20” TRACTOR PARTS LIST**

Ref. No.	Part No.	Description	No. Off				
			80 m/m Pet.	85 m/m Pet.	85 m/m V.O.	85 m/m L.O.	20C Diesel
10	60974	<b>Manifold</b> —Inlet and Exhaust ... ..	1				
	301822	<b>Manifold</b> —Inlet and Exhaust ... ..		1			
	826 307 M1	<b>Manifold</b> —Inlet and Exhaust ... ..			1	1	
11	825 286 M1	<b>Stud</b> — $\frac{5}{16}$ "—Carburettor Attachment ... ..	2	2	2	2	
	353 916 X1	<b>Nut</b> —Hex. ... ..	2	2	2	2	
	353 446 X1	<b>Washer</b> —Lock ... ..	2	2	2	2	
12	58297	<b>Washer</b> —Carburettor to Manifold (up to Eng. SC93,794E (Pet.) S235,775E (V.O.) and SB11,044E (L.O.) ... ..	1	1	1	1	
	825 931 M1	<b>Washer</b> —Carburettor to Manifold (Eng. SC93,795E (Pet.) S235,776E (V.O.) SB11,045E (L.O.) and future ... ..		1	1	1	
13	825 183 M1	<b>Stud</b> — $\frac{3}{8}$ "—Exhaust Pipe Attachment ... ..	2	2	2	2	
14	825 194 M2	<b>Washer</b> —Manifold to Cylinder Head ... ..	2	2	2	2	
15	825 183 M1	<b>Stud</b> — $\frac{3}{8}$ "—Manifold Attachment ... ..	10	10	10	10	
	825 187 M1	<b>Nut</b> — $\frac{3}{8}$ " x 16 N.C. } Not included in Service	10	10	8	8	
	353 434 X1	<b>Washer</b> —Lock } Cylinder Head	10	10	8	8	
	353 756 X1	<b>Washer</b> —Flat } Assembly.	10	10	8	8	
16	500036	<b>Head</b> —Cylinder Assembly complete with Valve Guides, Push Rod Tubes and Core Plugs... ..	1				
	300501	<b>Head</b> —Cylinder Assembly, as above ... ..		1			
	500208	<b>Head</b> —Cylinder Assembly, as above ... ..			1		
	500525	<b>Head</b> —Cylinder Assembly, as above (use 501809, 108717 and 109099) ... ..			1*		
	501809	<b>Head</b> —Cylinder Assembly, as above ... ..			1 $\emptyset$		
300340	<b>Head</b> —Cylinder Assembly, as above ... ..					1	
17	825 174 M1	<b>Spring</b> —Rocker—Centre ... ..	1	1	1	1	
18	825 133 M1	<b>Stud</b> — $\frac{5}{16}$ " N.F. and N.C.—Rocker Cover ... ..	2	2	2	2	
19	353 916 X1	<b>Nut</b> —Hex. ... ..	2	2	2	2	
	353 755 X1	<b>Washer</b> —Flat ... ..	2	2	2	2	
	825 296 M1	<b>Washer</b> —Fibre ... ..	2	2	2	2	
20	58182	<b>Screw</b> —Union—Tube to Rocker Cover ... ..	1	1‡	1‡	1‡	
	825 411 M1	<b>Screw</b> —Union ... ..		1‡	1‡	1‡	
	825 412 M1	<b>Screw</b> —Breather ... ..		1‡	1‡	1‡	
	825 413 M1	<b>Pin</b> —Breather ... ..		1‡	1‡	1‡	

\* S170,174E to S225,310E only (V.O.)  
 $\emptyset$  S225,311E and future (V.O.)  
 ‡ Up to SC12,030E (Pet.), S183,052E (V.O.) and SB5,165E (L.O.)  
 † SC12,031E (Pet.), S183,053E (V.O.), SB5,166E (L.O.) and future.

SM7UCZ



**“20” TRACTOR PARTS LIST**

Ref. No.	Part No.	Description	No. Off				
			80 m/m Pet.	85 m/m Pet.	85 m/m V.O.	85 m/m L.O.	20C Diesel
21	825 299 M1	<b>Washer—Fibre</b> ... ..	2	2	2	2	
22	825 134 M91	<b>Cover Assembly—Rocker</b> ... ..	1	1	1	1	
23	825 132 M1	<b>Washer—Rocker Cover</b> ... ..	1	1	1	1	
24	825 213 M2	<b>Shaft—Rocker</b> ... ..	1	1	1	1	
25	825 129 M1	<b>Spring—Rocker—Intermediate</b> ... ..	2	2	2	2	
26	825 392 M91	<b>Rocker Assembly No. 1—includes Bush item 43</b>	4	4	4	4	
27	825 127 M1	<b>Pedestal—Rocker—Drilled—Illustrated</b> ...	1	1	1	1	
	825 128 M1	<b>Pedestal—Rocker—Plain</b> ... ..	3	3	3	3	
28	825 130 M2	<b>Stud <math>\frac{3}{8}</math>"—Rocker Pedestal</b> ... ..	4	4	4	4	
	353 431 X1	<b>Nut—Hex.</b> ... ..	4	4	4	4	
	353 434 X1	<b>Washer—Lock</b> ... ..	4	4	4	4	
29	825 393 M91	<b>Rocker Assembly No. 2—includes Bush item 43</b>	4	4	4	4	
30	826 120 M1	<b>Pin—Adjustment—<math>\frac{5}{16}</math>" x 24 N.F.</b> ... ..	8	8	8	8	
	825 196 M1	<b>Locknut—<math>\frac{5}{16}</math>" x 24 N.F.</b> ... ..	8	8	8	8	
31	825 110 M1	<b>Spring—Rocker—Outer</b> ... ..	2	2	2	2	
32	825 314 M1	<b>Collar—End—Rocker Shaft</b> ... ..	2	2	2	2	
33	354 900 X1	<b>Pin—Mills—Collar to Rocker Shaft</b> ... ..	2	2	2	2	
34	61128	<b>Rod—Valve Push</b> ... ..	8				
	825 400 M1	<b>Rod—Valve Push</b> ... ..		8			
	100377	<b>Rod—Valve Push (up to S170173E)</b> ... ..			8		
	826 300 M1	<b>Rod—Valve Push (S170174E and future)</b> ... ..			8		
	826 332 M1	<b>Rod—Valve Push</b> ... ..				8	
35	825 209 M1	<b>Tappet—Valve</b> ... ..	8	8	8	8	
36	56551-825182	<b>Valve—Inlet</b> ... ..	4				
	101871	<b>Valve—Inlet (Up to S225,311E V.O.)</b> ... ..		4	4†	4	
	108717	<b>Valve—Inlet (S225,312E and future)</b> ... ..			4		
	100651	<b>Valve—Inlet—Use 56551 for V.O. Engines</b> S120,501E to S121,954E inclusive ... ..			4		
	58636	<b>Valve—Exhaust</b> ... ..	4				
	100652	<b>Valve—Exhaust—Use 58636 for V.O. Engines</b> S120,501E to S121,954E inclusive ... ..		4	4	4	
37	—	Discontinued for Service.					
38	—	Discontinued for Service.					
39	825 186 M1	<b>Spring—Valve</b> ... ..	8	8	8	8	

SM7UCZ

† S170,174E to S225,311E only.

**"20" TRACTOR PARTS LIST**

Ref. No.	Part No.	Description	No. Off				
			80 m/m Pet.	85 m/m Pet.	85 m/m V.O.	85 m/m L.O.	20C Diesel
40	825 257 M1	<b>Collar—Valve Spring</b> ... ..	8	8	8	8	
41	825 258 M1	<b>Cone—Split</b> ... ..	8 pr.	8 pr.	8 pr.	8 pr.	
42	825 107 M1	<b>Screw—Locking—<math>\frac{1}{4}</math>" B.S.F.</b> ... ..	1	1	1	1	
	825 125 M1	<b>Washer—C'sk. Shakeproof—Ext.</b> ... ..	1	1	1	1	
43	825 108 M1	<b>Bush—Rocker</b> ... ..	16	16	16	16	
<b>NOT ILLUSTRATED</b>							
	825 259 M1	<b>Guide—Valve</b> ... ..	8	8	8	8	
	827 247 M1	<b>Plug—Elbow</b> ... ..	1	1			
	827 248 M1	<b>Gasket—Plug</b> ... ..	1	1			
	826 284 M1	<b>Tube—Push Rod Sealing (Up to S170,173E—V.O.)</b>	8	8	8		
	101924	<b>Tube—Push Rod Sealing</b> ... ..			8‡		
	826 335 M1	<b>Tube—Push Rod Sealing</b> ... ..				8	
	825 102 M1	<b>Plug—Core—<math>1\frac{1}{4}</math>" dia.—Rear of Head</b> ... ..	1	1*	1		
	825 188 M1	<b>Plug—Core—<math>1\frac{1}{4}</math>" dia.—Rear of Head</b> ... ..		1†	1‡	1	
	59877	<b>Plug—Core—1 x 14 N.F.—Top of Head</b> ... ..	1	1	1	1	
	825 747 M1	<b>Washer—Copper—Rocker Oil Feed</b> ... ..	1	1	1	1	
	38CBH38B	<b>Screw—Set—Rocker Oil Feed</b> ... ..	1	1	1	1	
	825 396 M1	<b>Insert—Exhaust Valve (80m/m) and Inlet Valve (85m/m)</b> ... ..	4	4	4	4	
	500414	<b>Decarbonising Gasket Set</b> ... ..	A.R.				
	501923	" " " (inc. 202084) ... ..		A.R.	A.R.	A.R.	
	501821	" " " (inc. 202085) ... ..		A.R.	A.R.	A.R.	

\* Up to S112,390E (Pet.), S165,406E (V.O.)  
 † S112,391E (Pet.), S165,407E (V.O.) and Future.  
 ‡ S170,174E and future.

SM7UCZ

**"20" TRACTOR PARTS LIST**

Ref. No.	Part No.	Description	No. Off				
			80 m/m Pet.	85 m/m Pet.	85 m/m V.O.	85 m/m L.O.	20C Diesel
<b>NOT ILLUSTRATED (cont'd)</b>							
	102664	Insert—Exhaust Valve ... ..		4	4	4	
	2242	Clip—Temperature Gauge ... ..			1	1	
	827 407 M1	Clip—Temperature Gauge ... ..			1	1	
	827 408 M1	Clip—Temperature Gauge ... ..			1	1	
	827 409 M1	Clip—Temperature Gauge ... ..			1	1	
	107512	Gauge—Temperature ... ..			1	1	
	827 788 M1	Adaptor—Manifold Shield ... ..			2	2	
	826 308 M91	Adaptor Assembly—Manifold Shield ... ..			2	2	
	826 321 M1	Screw—Set—Shield to Adaptor ... ..			2	2	
	353 757 X1	Washer—Set Screw ... ..			2	2	
	825 368 M1	Plate—Splash—Cylinder Head ... ..		1	1	1	
	200119	Shield Assembly—Manifold 80 ... ..			1*		
	200197	Inner Support Bracket Assembly ... ..			1*		
	826 313 M91.	Shield Assembly—Manifold ... ..			1†	1	
	826 318 M91	Inner Support Bracket Assembly ... ..			1†	1	
	101972	Tube Assembly—Water Delivery—Cylinder Head ... ..		1			
	109099	Tube Assembly—Water Delivery—Cylinder Head ... ..				1‡	
	200254	Tube Assembly—Water Delivery—Cylinder Head ... ..					1
	825 390 M1	Plate—Cover—Water Tube—Rear End ... ..		1			
	826 325 M1	Plate—Cover—Water Tube—Rear End ... ..			1‡	1	
	825 391 M1	Joint—Cover Plate ... ..		1			
	826 327 M1	Joint—Cover Plate ... ..			1‡	1	
	353 676 X1	Bolt—Cover Plate ... ..	10	2	2‡	2	
	353 446 X1	Washer—Lock ... ..	10	2	2‡	2	
	103810	Nut—Hex. } Cylinder Head ... ..		10	10	10	
	353 757 X1	Washer—Flat } Attachment ... ..		10	10	10	
	502861	“ Free ” Type Exhaust Valve Kit, includes :—		A.R.	A.R.	A.R.	
	112416	Valve—Exhaust ... ..		4	4	4	
	112417	Collar—Valve Spring ... ..		4	4	4	
	112415	Collar—Split ... ..		4 prs.	4 prs.	4 prs.	
	112414	Cap—Valve End ... ..		4	4	4	
	112418	Circlip— ... ..		4	4	4	
	104766	Guide—Exhaust Valve ... ..		4	4	4	
		* Up to S112,390E (Pet.), S165,406E (V.O.)					
		† S112,391E (Pet.), S165,407E (V.O.) and future.					
		‡ S170,174E and future.					

SM7UCZ

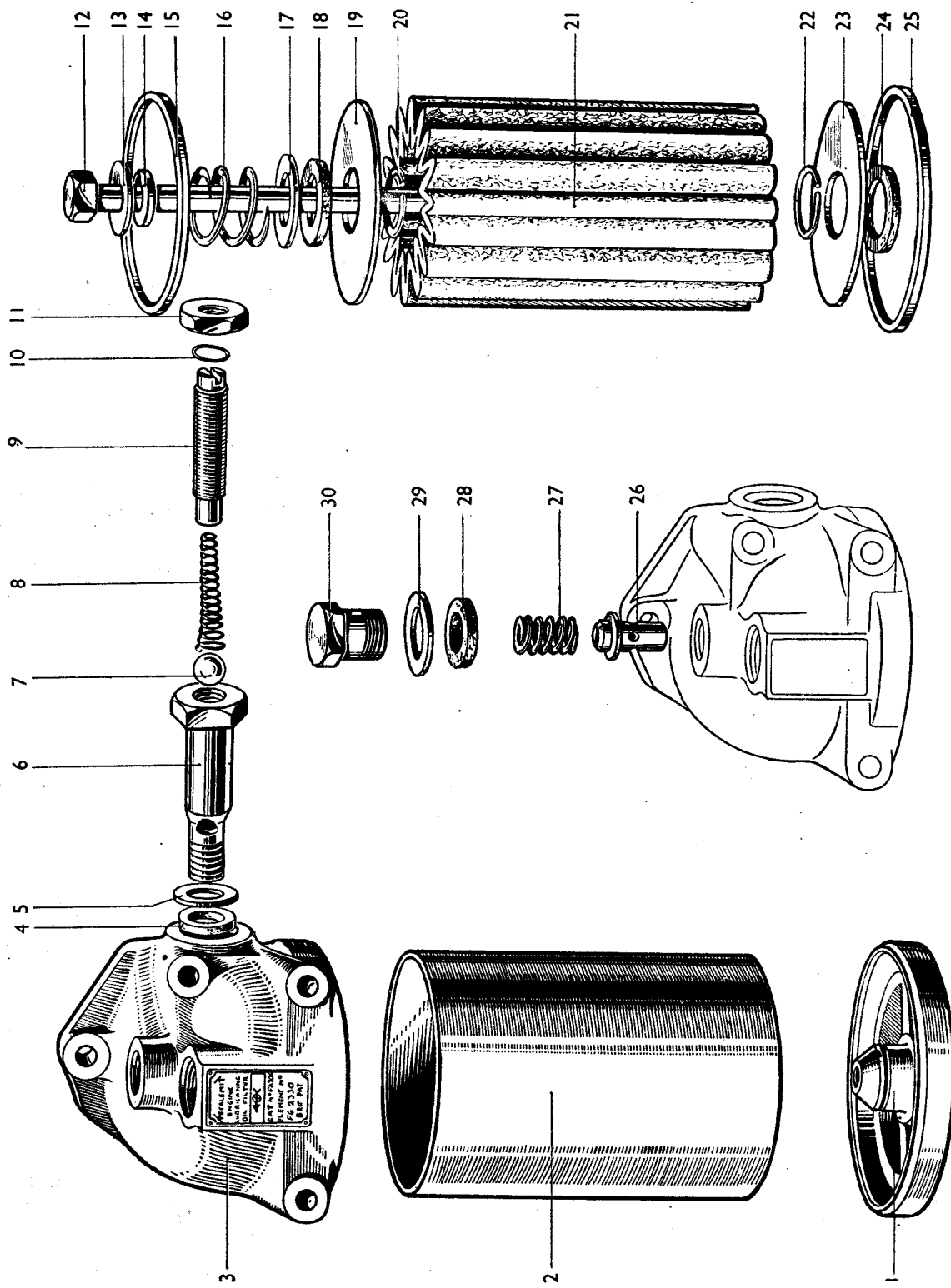


FIG. 26

SM7UCZ

**“20” TRACTOR PARTS LIST**

Ref. No.	Part No.	Description	No. Off				
			80 m/m Pet.	85 m/m Pet.	85 m/m V.O.	85 m/m L.O.	20C Diesel
		<b>FIG. 26. OIL FILTER (VERTICAL) (UP TO S26,000E)</b>					
	57765	<b>Oil Filter Assembly</b> —includes items 1 through 30 ... ..	1				
1	59606	<b>Filter Base</b> ... ..	1				
2	59603	<b>Container</b> ... ..	1				
3	59559	<b>Head—Filter</b> ... ..	1				
4	825 270 M1	<b>Washer—Sealing</b> ... ..	1				
5	825 280 M1	<b>Washer</b> ... ..	1				
6	825 271 M1	<b>Body—Relief Valve</b> ... ..	1				
7	825 301 M1	<b>Ball—Relief Valve</b> ... ..	1				
8	825 310 M1	<b>Spring—Steel Wire</b> ... ..	1				
9	825 311 M1	<b>Plug—Adjustment—Relief Valve</b> ... ..	1				
10	825 104 M1	<b>Packing—Lead</b> ... ..	1				
11	825 115 M1 827 445 M1	<b>Locknut—Relief Valve</b> } <b>Locknut—Relief Valve</b> } Alternatives ... ..	1				
12	59600	<b>Bolt</b> ... ..	1				
13	49325	<b>Washer</b> ... ..	1				
14	49326	<b>Washer—Sealing</b> ... ..	1				
15	59611	<b>Washer—Joint</b> ... ..	1				
16	59601	<b>Spring</b> ... ..	1				
17	59602	<b>Washer</b> ... ..	1				
18	49316	<b>Washer—Felt</b> ... ..	1				
19	59612	<b>Plate—Pressure</b> ... ..	1				
20	825 118 M1	<b>“ C ” Spring</b> ... ..	1				
21	57766	<b>Element</b> ... ..	1				
22	825 118 M1	<b>“ C ” Spring</b> ... ..	1				
23	59612	<b>Plate—Pressure</b> ... ..	1				
24	49316	<b>Washer—Felt</b> ... ..	1				
25	59605	<b>Washer—Joint</b> ... ..	1				
26	59617	<b>Valve</b> ... ..	1				
27	59610	<b>Spring—Valve—Balance</b> ... ..	1				
28	59616	<b>Washer—Sealing</b> ... ..	1				
29	59604	<b>Washer</b> ... ..	1				
30	59613	<b>Plug</b> ... ..	1				

SM7UCZ

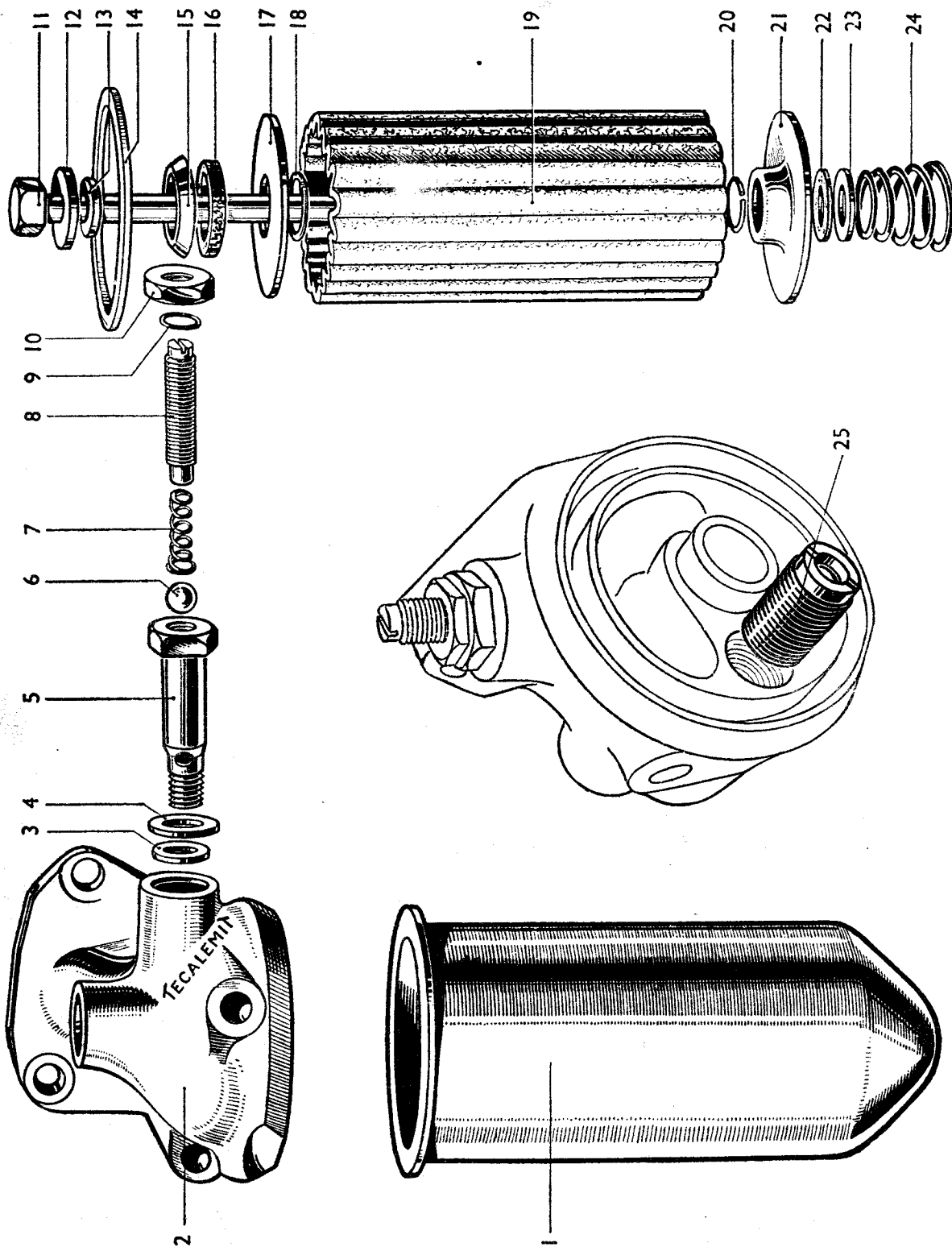


FIG. 26A

SM7UCZ

Ref. No.	Part No.	Description	No. Off					
			80 m/m Pet.	85 m/m Pet.	85 m/m V.O.	85 m/m L.O.	20C Diesel	
		<b>FIG. 26A. OIL FILTER (INCLINED)</b>						
		Fitted from S26,001E to SC73,611E (Pet.) and up to S228,021E (V.O.) and SB10,595E (L.O.)						
	59383	<b>Oil Filter Assembly (use 825 913 M91)</b> ...	1	1	1	1		
1	59736	<b>Container Assembly</b> ... ..	1	1	1	1		
2	59733	<b>Head—Filter Assembly</b> ... ..	1	1	1	1		
3	825 270 M1	<b>Washer—Sealing</b> ... ..	1	1	1	1		
4	825 280 M1	<b>Washer—Steel</b> ... ..	1	1	1	1		
5	825 271 M1	<b>Body—Relief Valve</b> ... ..	1	1	1	1		
6	825 301 M1	<b>Ball—Relief Valve</b> ... ..	1	1	1	1		
7	825 310 M1	<b>Spring—Steel Wire</b> ... ..	1	1	1	1		
8	825 311 M1	<b>Plug—Adjustment Relief Valve</b> ... ..	1	1	1	1		
9	825 104 M1	<b>Packing—Lead</b> ... ..	1	1	1	1		
10	825 115 M1	<b>Locknut—Relief Valve</b> } Alternatives ... ..	1	1	1	1		
	827 445 M1	<b>Locknut—Relief Valve</b> } Alternatives ... ..	1	1	1	1		
11	59734	<b>Bolt</b> ... ..	1	1	1	1		
12	49325	<b>Washer</b> ... ..	1	1	1	1		
13	49326	<b>Washer—Sealing</b> ... ..	1	1	1	1		
14	59737	<b>Washer</b> ... ..	1	1	1	1		
15	825 281 M1	<b>Washer—Steel Dished</b> ... ..	1	1	1	1		
16	825 279 M1	<b>Washer—Felt</b> ... ..	1	1	1	1		
17	825 117 M1	<b>Plate—Clamping</b> ... ..	1	1	1	1		
18	825 118 M1	<b>" C " Spring</b> ... ..	1	1	1	1		
19	825 807 M1	<b>Element</b> ... ..	1	1	1	1		
20	49323	<b>" C " Spring</b> ... ..	1	1	1	1		
21	49321	<b>Plate—Pressure</b> ... ..	1	1	1	1		
22	49322	<b>Washer</b> ... ..	1	1	1	1		
23	49320	<b>Washer</b> ... ..	1	1	1	1		
24	59735	<b>Spring—Steel Pressure Plate</b> ... ..	1	1	1	1		
25	827 709 M91	<b>Valve Assembly—Balance</b> ... ..	1	1	1	1		
	SM7UCZ							

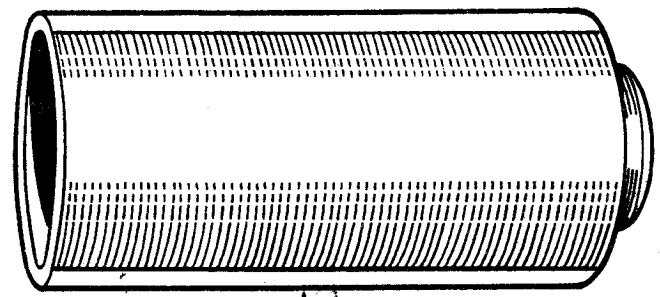
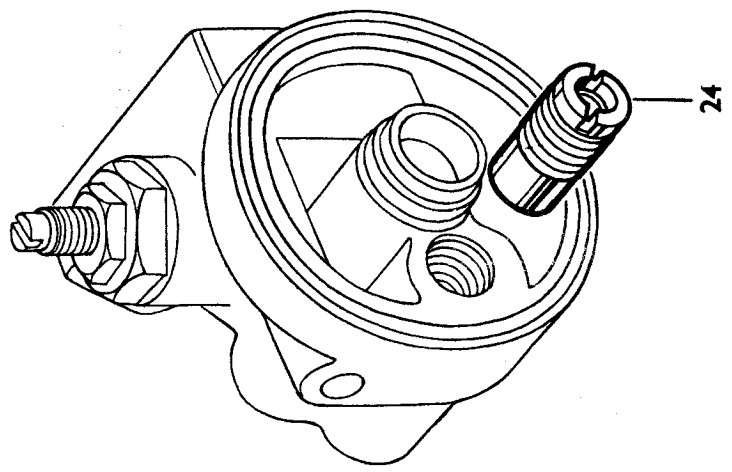
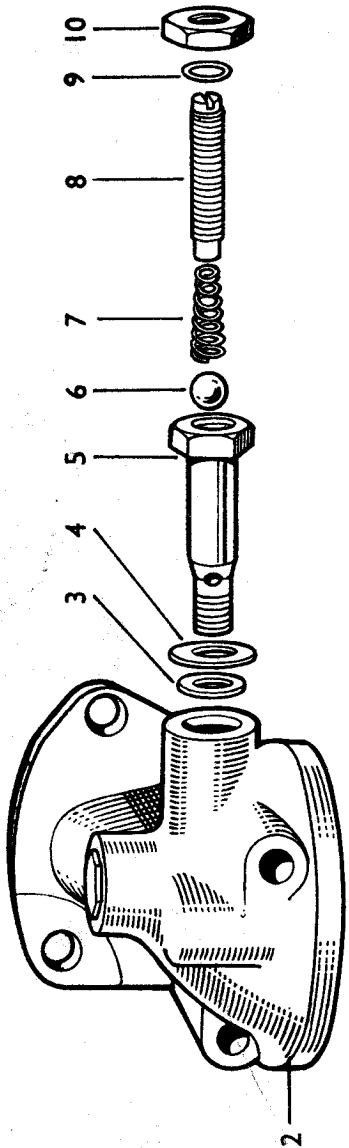
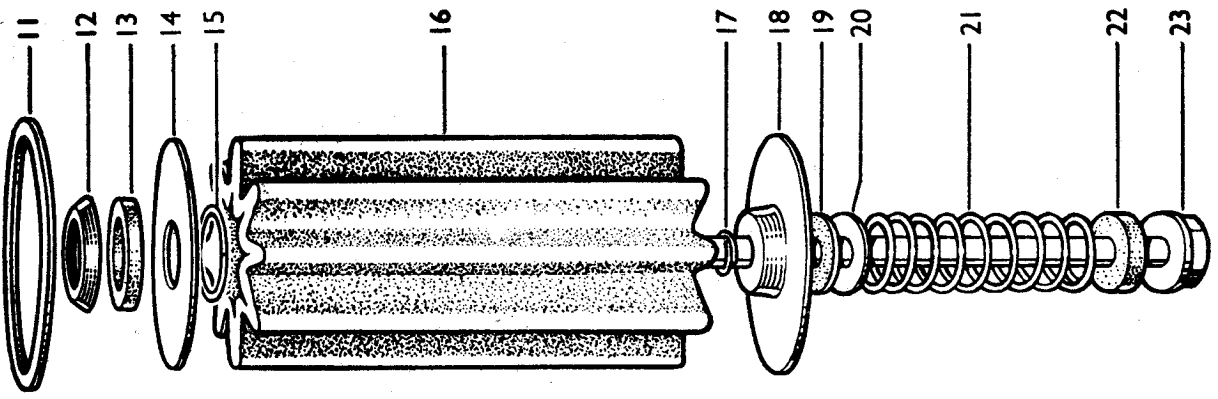


FIG. 26B SM7UCZ



**“20” TRACTOR PARTS LIST**

Ref. No.	Part No.	Description	No. Off					
			80 m/m Pet.	85 m/m Pet.	85 m/m V.O.	85 m/m L.O.	20C Diesel	
		<b>FIG. 26B. OIL FILTER (INCLINED)</b>						
		Fitted from Engines No. SC73612E (Pet.), S228022E (V.O.) and SB10596E (L.O.)						
	825 913 M91	<b>Oil Filter Assembly</b> ... .. Comprising :—		1	1	1		
1	825 809 M91	<b>Container Assembly</b> ... ..		1	1	1		
2	827 422 M91	<b>Head Assembly</b> —Filter includes 503909 ...		1	1	1		
	827 142 M1	<b>Nut</b> —Filter Head ... ..		1	1	1		
3	825 270 M1	<b>Washer</b> —Sealing ... ..		1	1	1		
4	825 280 M1	<b>Washer</b> —Steel ... ..		1	1	1		
5	825 271 M1	<b>Body</b> —Relief Valve ... ..		1	1	1		
6	825 301 M1	<b>Ball</b> —Relief Valve ... ..		1	1	1		
7	825 310 M1	<b>Spring</b> —Steel Wire ... ..		1	1	1		
8	825 311 M1	<b>Plug</b> —Adjustment Relief Valve ... ..		1	1	1		
9	825 104 M1	<b>Packing</b> —Lead ... ..		1	1	1		
10	827 445 M1	<b>Locknut</b> —Relief Valve ... ..		1	1	1		
11	825 810 M1	<b>Washer</b> —Sealing ... ..		1	1	1		
12	825 281 M1	<b>Washer</b> —Steel Dished ... ..		1	1	1		
13	825 279 M1	<b>Washer</b> —Felt ... ..		1	1	1		
14	825 117 M1	<b>Plate</b> —Clamping ... ..		1	1	1		
15	825 118 M1	<b>“ C ” Spring</b> ... ..		1	1	1		
16	<u>825 807 M1</u>	<b>Element</b> ... ..		1	1	1		
17	825 818 M1	<b>“ C ” Spring</b> —Small—Up to SC108,362E (Pet.), S241,607E (V.O.) and SB11,722E (L.O.)		1	1	1		
	826 690 M1	<b>“ C ” Spring</b> —Small—From SC108,363E (Pet.), S241,608E (V.O.) and SB11,723E (L.O.)		1	1	1		
18	825 814 M1	<b>Plate</b> —Pressure ... ..		1	1	1		
19	825 817 M1	<b>Washer</b> —Felt ... ..		1	1	1		
20	825 815 M1	<b>Washer</b> —Steel ... ..		1	1	1		
21	825 806 M1	<b>Spring</b> ... ..		1	1	1		
22	825 816 M1	<b>Washer</b> —Bolt Head ... ..		1	1	1		
23	825 813 M1	<b>Bolt</b> —Centre ... ..		1	1	1		
24	827 709 M91	<b>Valve Assembly</b> —Balance ... ..		1	1	1		

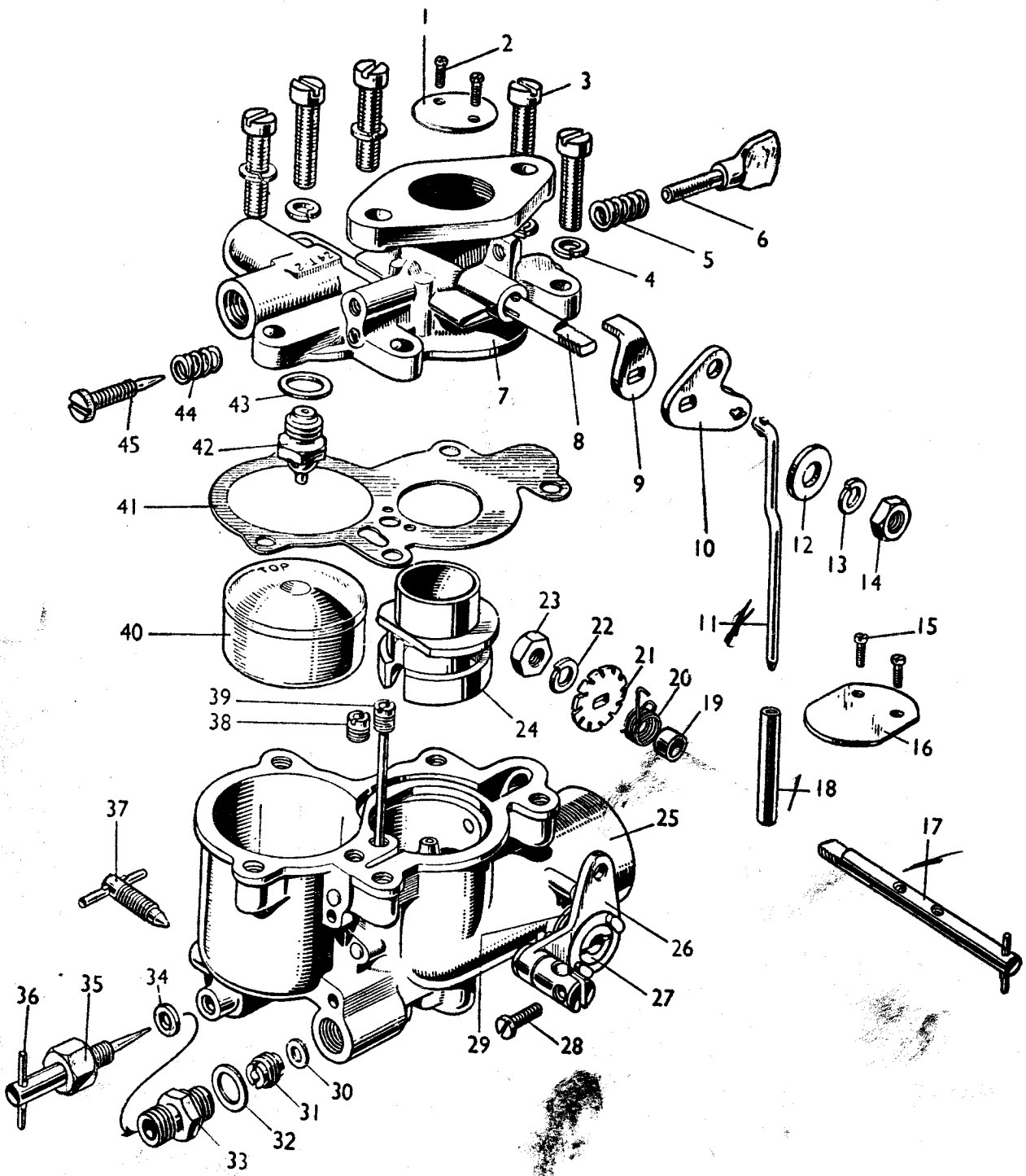


FIG. 27

SM7UCZ

**“20” TRACTOR PARTS LIST**

Ref. No.	Part No.	Description	No. Off				
			80 m/m Pet.	85 m/m Pet.	85 m/m V.O.	85 m/m L.O.	20C Diesel
		<b>FIG. 27. CARBURETTOR (ZENITH)</b>					
	58191	<b>Carburettor Assembly</b> (Stamped 1081) Use 200361 ... ..	1				
	200113	<b>Carburettor Assembly</b> (Stamped 1159) Use 200361 ... ..	1				
	200146	<b>Carburettor Assembly</b> (Stamped 1173) Use 200362 ... ..			1	1	
	200361 200362	<b>Carburettor Assembly</b> (Stamped 1201) ...	1				
	200362	<b>Carburettor Assembly</b> (Stamped 1202) Up to Eng. S235,775E (V.O.) and SB11,044E (L.O.) ...			1	1	
	200363 x	<b>Carburettor Assembly</b> (Stamped 1264) Up to Eng. SC93,794E ... ..		1			
1	58518	<b>Throttle</b> ... ..	1	1	1	1	
2	825 226 M1	<b>Screw—Throttle Fixing</b> ... ..	2	2	2	2	
3	825 239 M1	<b>Screw—Barrel to Bowl</b> ... ..	5	5	5	5	
4	825 272 M1	<b>Washer—Spring</b> ... ..	5	5	5	5	
5	825 231 M1	<b>Spring—Throttle Stop Screw</b> ... ..	1	1	1	1	
6	825 230 M1	<b>Screw—Throttle Stop</b> ... ..	1	1	1	1	
7	58517	<b>Barrel</b> ... ..	1				
	500075	<b>Barrel</b> ... ..			1	1	
	500720	<b>Barrel</b> ... ..		1			
8	58519	<b>Spindle—Throttle</b> ... ..	1	1	1	1	
9	58521	<b>Stop—Throttle</b> ... ..	1	1	1	1	
10	58522	<b>Lever—Combined Throttle and Inter-Connection</b>	1	1	1	1	
11	58544	<b>Rod—Inter-Connection</b> ... ..	1	1	1	1	
12	58523	<b>Washer—Spacing—Spindle</b> ... ..	1	1	1	1	
13	825 272 M1	<b>Washer—Spring—Throttle Spindle</b> ... ..	1	1	1	1	
14	49 612 X	<b>Nut—Throttle Spindle</b> ... ..	1	1	1	1	
15	825 226 M1	<b>Screw—Strangler Flap</b> ... ..	2	2	2	2	
16	58539	<b>Flap—Strangler</b> ... ..	1	1	1	1	
17	58538	<b>Spindle and Pin—Strangler</b> ... ..	1	1	1	1	
18	58543	<b>Tube—Inter-Connection</b> ... ..	1	1	1	1	
19	58540	<b>Sleeve—Spindle</b> ... ..	1	1	1	1	
20	58541	<b>Spring—Strangler Flap</b> ... ..	1	1	1	1	
21	58542	<b>Plate—Spring Anchor</b> ... ..	1	1	1	1	
22	825 272 M1	<b>Washer—Spring—Strangler</b> ... ..	1	1	1	1	
23	49 612 X	<b>Nut—Strangler Spindle</b> ... ..	1	1	1	1	
24	58531	<b>Tube—Choke—17 mm.</b> ... ..	1	1	1	1	
	59836	<b>Tube—Choke—18 mm. (High Altitude)</b> ...	A.R.	A.R.	A.R.	A.R.	

SM7UCZ

**"20" TRACTOR PARTS LIST**

Ref. No.	Part No.	Description	No. Off				
			80 m/m Pet.	85 m/m Pet.	85 m/m V.O.	85 m/m L.O.	20C Diesel
25	500077 500721	<b>Bowl Assembly</b> ... .. <b>Bowl Assembly</b> ... ..		1	1		
26	58534 500722	<b>Strangler Lever with Swivel</b> (Use with 58191, 200113, 200146) ... .. <b>Strangler Lever with Swivel</b> (Use with 200361, 200362, 200363) ... ..	1		1	1	
27	58536	<b>Bearing—Strangler Lever</b> ... ..	1	1	1	1	
28	58545	<b>Screw—Inter-Connection Swivel</b> ... ..	1	1	1	1	
29	58535	<b>Spring—Strangler Lever</b> ... ..	1	1	1	1	
30	58547	<b>Washer—Main Jet</b> ... ..	1	1	1	1	
31	58546 500078/100 500078/105	<b>Main Jet</b> (Use with 58191) ... .. <b>Main Jet</b> ... .. <b>Main Jet</b> ... ..	1 1	1		1	1
32	59552 59551 500726	<b>Washer—Main Jet Adjustment</b> ... .. <b>Main Jet Adjustment Assembly—includes</b> Items 33 to 36 inclusive (Use with 58191) ... .. <b>Main Jet Adjustment Assembly—includes</b> items 33 to 36 inclusive ... ..	1 1	1	1	1	1
33	59629	<b>Adaptor—Main Jet Adjustment</b> ... ..	1	1	1	1	1
34	58549	<b>Packing—Needle Valve</b> ... ..	1	1	1	1	1

SM7UCZ

**“20” TRACTOR PARTS LIST**

Ref. No.	Part No.	Description	No. Off				
			80 m/m Pet.	85 m/m Pet.	85 m/m V.O.	85 m/m L.O.	20C Diesel
35	58550	<b>Nut—Packing</b> ... ..	1	1	1	1	
36	58548	<b>Needle Valve—Main Jet Adjustment (Use with 59551)</b> ... ..	1				
	500724	<b>Needle Valve—Main Jet Adjustment (Use with 500726)</b> ... ..	1	1	1	1	
37	825 269 M1	<b>Plug—Drain Valve</b> ... ..	1	1	1	1	
38	59554	<b>Jet—Air</b> ... ..	1	1	1	1	
39	59553	<b>Tube—Slow Running</b> ... ..	1	1	1	1	
40	58530	<b>Float</b> ... ..	1	1	1	1	
41	58532	<b>Gasket—Bowl to Barrel</b> ... ..	1	1	1	1	
42	<del>58528</del>	<b>Needle and Seating—1.5 mm. (Use with 58191, 200113, 200146)</b> ... ..	1		1	1	
	825 492 M91	<b>Needle and Seating—2.0 mm. (Use with 200361, 200362, 200363)</b> ... ..	1	1	1	1	
43	825 235 M1	<b>Washer—Needle and Seating (Use 1 off with 58191, 200113, 200146, use 2 off with 200361, 200362, 200363)</b> ... ..	A.R.	A.R.	A.R.	A.R.	
44	825 233 M1	<b>Spring—Air Regulator Screw</b> ... ..	1	1	1	1	
45	825 232 M1	<b>Screw—Air Regulator</b> ... ..	1	1	1	1	

SM7UCZ



**"20" TRACTOR PARTS LIST**

Ref. No.	Part No.	Description	No. Off				
			80 m/m Pet.	85 m/m Pet.	85 m/m V.O.	85 m/m L.O.	20C Diesel
		<b>FIG. 27A CARBURETTOR (ZENITH)</b>					
		Fitted from Engine SC93,795E (Petrol), S235,776E (V.O.), SB11,045E (L.O.) and future.					
	202219	<b>Carburettor Assembly (stamped C1488)</b> ... ..		1	1	1	
1	825 230 M1	<b>Screw—Throttle Stop</b> ... ..		1	1	1	
2	825 231 M1	<b>Spring—Throttle Stop Screw</b> ... ..		1	1	1	
3	825 940 M1	<b>Lever—Interconnection</b> ... ..		1	1	1	
4	825 941 M1	<b>Pivot—Interconnection</b> ... ..		1	1	1	
5	825 939 M1	<b>Lever—Throttle</b> ... ..		1	1	1	
6	825 272 M1	<b>Washer—Spring—Spindle</b> ... ..		1	1	1	
7	49 612 X	<b>Nut—Throttle Spindle</b> ... ..		1	1	1	
8	825 938 M1	<b>Spindle—Throttle</b> ... ..		1	1	1	
9	825 960 M1	<b>Tube—Choke—18 mm.</b> ... ..		1	1	1	
10	825 942 M1	<b>Tube—Main Discharge</b> ... ..		1	1	1	
11	825 943 M1	<b>Washer—Main Discharge Tube</b> ... ..		1	1	1	
12	825 226 M1	<b>Screw—Strangler Flap</b> ... ..		2	2	2	
13	825 944 M1	<b>Link—Interconnection</b> ... ..		1	1	1	
14	825 945 M1	<b>Flap—Strangler</b> ... ..		1	1	1	
15	825 947 M1	<b>Spring—Strangler Lever</b> ... ..		1	1	1	
16	825 948 M1	<b>Spindle—Strangler</b> ... ..		1	1	1	
17	825 946 M1	<b>Lever—Strangler</b> ... ..		1	1	1	
18	825 949 M1	<b>Pin—Split</b> ... ..		1	1	1	
19	49 612 X	<b>Nut—Strangler Spindle</b> ... ..		1	1	1	
20	825 272 M1	<b>Washer—Spring—Strangler Spindle</b> ... ..		1	1	1	
21	825 950 M1	<b>Bowl Assembly</b> ... ..		1	1	1	
22	825 951 M1	<b>Main Jet</b> ... ..		1	1	1	
23	825 952 M1	<b>Carrier—Main Jet</b> ... ..		1	1	1	
24	825 953 M1	<b>Washer—Main Jet Carrier</b> ... ..		1	1	1	
25	825 954 M1	<b>Needle Valve—Main Jet Adjustment</b> ... ..		1	1	1	
26	825 955 M1	<b>Spring—Needle Valve</b> ... ..		1	1	1	
27	825 269 M1	<b>Plug—Drain Valve</b> ... ..		1	1	1	
28	825 956 M1	<b>Jet—Slow Running</b> ... ..		1	1	1	
29	825 957 M1	<b>Jet—Air</b> ... ..		1	1	1	
30	825 959 M1	<b>Gasket—Bowl to Barrel</b> ... ..		1	1	1	
31	825 492 M91	<b>Seating and Needle</b> ... ..		1	1	1	
32	825 235 M1	<b>Washer—Needle Seating</b> ... ..		1	1	1	
33	827 695 M1	<b>Barrel Assembly</b> ... ..		1	1	1	
34	825 961 M1	<b>Float</b> ... ..		1	1	1	
35	825 233 M1	<b>Spring—Air Regulating Screw</b> ... ..		1	1	1	
36	825 963 M1	<b>Washer—Filter Elbow</b> ... ..		2	2	2	
37	825 964 M1	<b>Gauze—Filter</b> ... ..		1	1	1	
38	825 965 M1	<b>Plug—Filter Elbow</b> ... ..		1	1	1	
39	825 232 M1	<b>Screw—Air Regulating</b> ... ..		1	1	1	
40	825 239 M1	<b>Screw—Bowl to Barrel</b> ... ..		6	6	6	
41	825 936 M1	<b>Throttle</b> ... ..		1	1	1	
42	825 935 M1	<b>Screw—Throttle Fixing</b> ... ..		2	2	2	
43	825 272 M1	<b>Washer—Spring</b> ... ..		6	6	6	
		<b>NOT ILLUSTRATED</b>					
	827 619 M1	<b>Clip—Spring—Throttle Lever</b> ... ..		1	1	1	

SM7UCZ

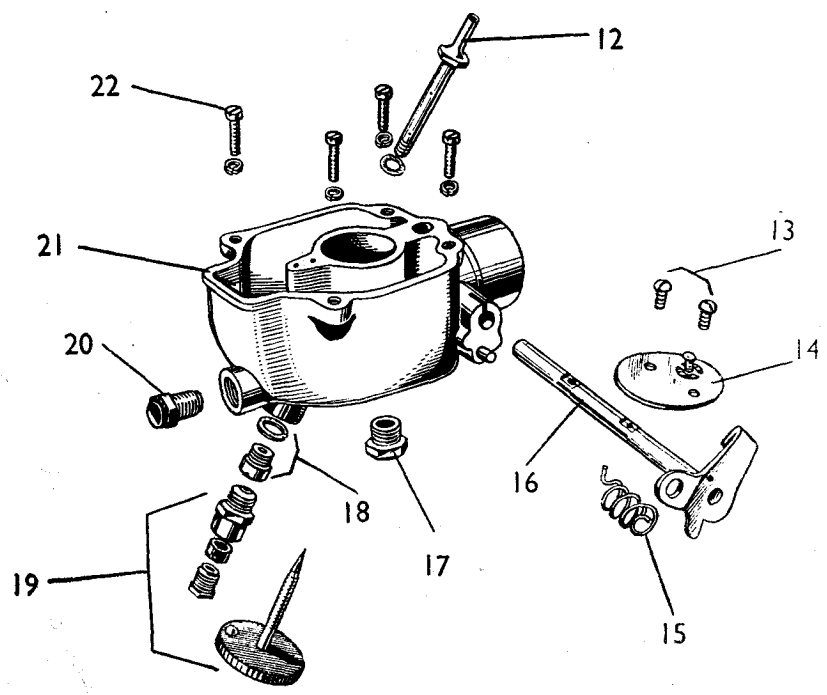
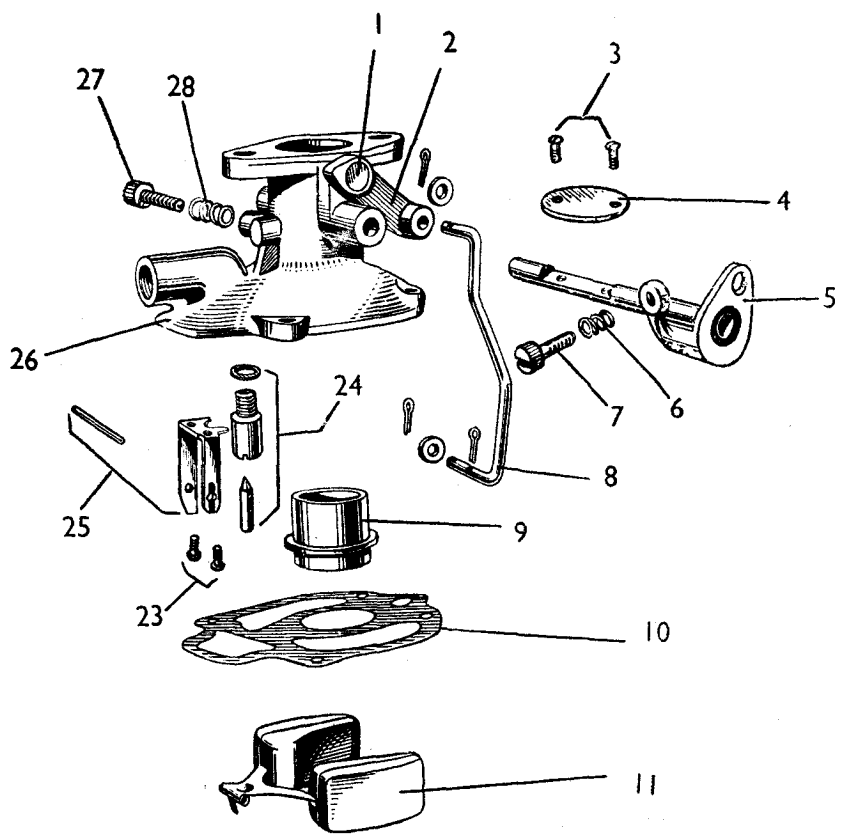


FIG. 27B

SM7UCZ



**"20" TRACTOR PARTS LIST**

Ref. No.	Part No.	Description	No. Off				
			80 m/m Pet.	85 m/m Pet.	85 m/m V.O.	85 m/m L.O.	20C Diesel
		<b>FIG. 27B. CARBURETTOR (HOLLEY)</b>					
	58192	Carburettor Assembly—Use 200361 ... ..	1				
	200754	Carburettor Assembly—up to Eng. S111,518E only— Use 200363 ... ..		1			
1	61947	Cam Spindle ... ..	1	1			
2	61946	Lifting Cam Bracket ... ..	1	1			
3	61943	Pin—Throttle Plate ... ..	2	2			
4	61942	Throttle Plate ... ..	1	1			
5	61941	Throttle Spindle and Lever Assembly ... ..	1	1			
6	61945	Spring—Throttle Stop Screw ... ..	1	1			
7	61944	Screw—Throttle Stop ... ..	1	1			
8	61951	Rod—Duplex Control ... ..	1	1			
	61952	Washer—Control Rod ... ..	2	2			
	354 039 X1	Pin—Coter ... ..	3	3			
9	61933	Venturi ... ..	1	1			
10	61948	Gasket—Lower Body to Upper Body ... ..	1	1			
11	61930	Float Assembly ... ..	1	1			
12	61919	Main Nozzle and Gasket Assembly ... ..	1				
	500797	Main Nozzle and Gasket Assembly ... ..		1			
13	61929	Pin—Choke Plate ... ..	2	2			
14	61928	Plate Assembly—Choke ... ..	1	1			
15	61925	Spring—Choke ... ..	1	1			
16	61924	Spring and Lever Assembly—Choke ... ..	1	1			
17	61922	Plug Assembly—Drip ... ..	1	1			
18	61920	Main Jet and Washer Assembly ... ..	1				
	500799	Main Jet and Washer Assembly ... ..		1			
19	61921	Needle Valve Assembly—Main Jet Adj. ... ..	1				
	500798	Needle Valve Assembly—Main Jet Adj. ... ..		1			
20	61923	Plug—Drain ... ..	1	1			
21	61918	Body—Lower ... ..	1	1			
22	61949	Screw—Body ... ..	4	4			
	61950	Spring Washer—Body Screw ... ..	4	4			
23	61929	Pin—Bracket—Float Lever... ..	2	2			
24	61936	Petrol Valve Needle Seat and Washer Assembly... ..	1	1			
25	61931	Bracket and Pin—Float Lever ... ..	1	1			
26	61932	Body—Upper ... ..	1	1			
27	61939	Needle Assembly—Idle Adjusting ... ..	1	1			
28	61940	Spring—Idle Adjusting Needle ... ..	1	1			
		<b>NOT ILLUSTRATED</b>					
	61926	Plug—Welsh... ..	1	1			
	61927	Pin—Stop ... ..	1	1			
	61934	Jet—Idle ... ..	1	1			
	61935	Plug—Low Speed (Large) ... ..	1	1			
	61937	Olive—Petrol Line ... ..	1	1			
	61938	Nut—Clamping—Petrol Line ... ..	1	1			
	70367	Service Kit ... ..	1	1			
		Comprising items 7, 10, 17, 18, 19, 22, 24 and 27.					
	SM7UCZ						



**“20” TRACTOR PARTS LIST**

Ref. No.	Part No.	Description	No. Off					
			80 m/m Pet.	85 m/m Pet.	85 m/m V.O.	85 m/m L.O.	20C Diesel	
		<b>FIG. 28. AIR CLEANER AND RELATED PARTS</b>						
1	7156	<b>Air Cleaner Assembly—</b>						
		A.C. Sphinx						
	8643	<b>Air Cleaner Assembly—</b>						
		A.C. Sphinx						
	8705	<b>Air Cleaner Assembly—</b>						
		A.C. Sphinx						
	8710	<b>Air Cleaner Assembly—</b>						
		A.C. Sphinx						
	8742	<b>Air Cleaner Assembly—</b>						
		A.C. Sphinx						
		Each comprising appropriate Items 2 through 6						
2	1807	<b>Nut—Wing (Use with 7156 and 8710)</b>	1	1	1			
3	4260	<b>Cover—Filter (Use with 7156)</b>	1		1			
	4444	<b>Cover—Filter (Use with 8705)</b>					1	
	4441	<b>Cover—Filter (Use with 8710)</b>	1	1	1			
4	4275	<b>Body, Filter Element and Decal—(Use with 7156)</b>	1		1			
	4440	<b>Body, Filter Element and Decal—(Use with 8710)</b>	1	1	1			
	4354	<b>Body, Filter Element, Cover and Decal—(Use with 8643)</b>	1		1			
	4437	<b>Body, Filter Element, Cover and Decal—(Use with 8705)</b>					1	
	4469	<b>Body, Filter Element, Cover and Decal—(Use with 8742)</b>						1
	1486	<b>Transfer—Instruction</b>	1	1‡	1‡		1‡	
	634 035 M1	<b>Transfer—Instruction</b>		1∅	1∅		1∅	
		* Up to 123,684.						
		† From 123,685 to 200,000.						
		‡ Up to 200,000.						
		∅ 200,001 and future.						

SM7UCZ

**'20' TRACTOR PARTS LIST**

Ref. No.	Part No.	Description	No. Off				
			80 m/m Pet.	85 m/m Pet.	85 m/m V.O.	85 m/m L.O.	20C Diesel
5	825 598 M1	<b>Clamp—Oil Container</b> ... ..	1	1	1	1	
6	4261	<b>Container—Oil (with Plate)</b> ... ..	1	1	1	1	
7	825 016 M1	<b>Clip—Pipe—Suction</b> ... ..	2	2	2	2	
8	825 007 M1	<b>Hose—Moulded—<math>\frac{3}{4}</math>" O/Dia.—Suction Pipe</b> ...	1	1	1	1	
9	8610	<b>Pipe Assembly—Suction—Air Cleaner to Cylinder Block</b> ... ..	1	1	1	1	
10	1326	<b>Hose—2" O/Dia.—Plain</b> ... ..	1	1	1	1	
11	825 014 M1	<b>Clip—Pipe—Air Cleaner to Carburettor</b> ...	3	3	3	3	
12	8717	<b>Pipe—Air Cleaner to Carburettor</b> ... ..	1	1	1	1	
13	1575	<b>Hose—Moulded (Up to 439,169)</b> ... ..	1	1	1	1	
	111241	<b>Hose—Moulded (439,170 and future)</b> ... ..		1	1	1	

SM7UCZ



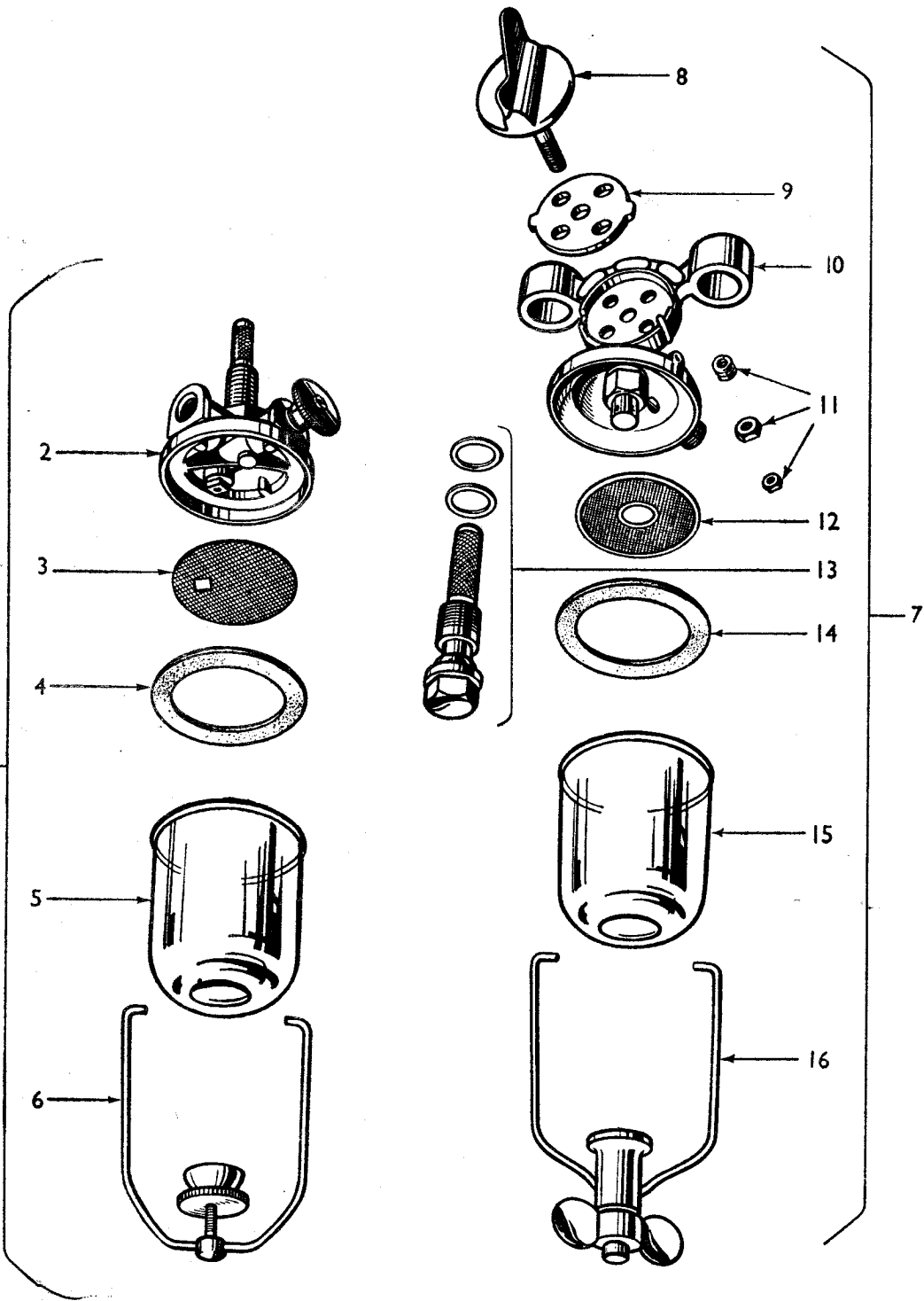


FIG. 29

SM7UCZ

**“20” TRACTOR PARTS LIST**

Ref. No.	Part No.	Description	No. Off				
			80 m/m Pet.	85 m/m Pet.	85 m/m V.O.	85 m/m L.O.	20C Diesel
		<b>FIG. 29. FUEL VALVE AND SEDIMENT BOWL ASSEMBLY—FUEL FILTER</b>					
1	7110 <i>642773</i> 632 948 M92	<b>Fuel Valve and Sediment Bowl Assembly—</b> Use 632 948 M92—up to 294,146 ... .. <b>Fuel Valve and Sediment Bowl Assembly—</b> Complete—294,147 and future ... ..	1	1			
2	2276-  2274 1203 2250 1212 1216  825 831 M91  1650 041 M1 827 047 M1 105045	<b>Cover Assembly—</b> use 825 831 M91— includes items 3, 4 ... .. and :— <b>Cover—</b> Not serviced separately. <b>Valve and Gland Assembly,</b> which includes :— <b>Control Wheel</b> ... .. <b>Washer—</b> Shakeproof ... .. <b>Screw—</b> Valve Stem ... .. <b>Packing—</b> Valve Stem ... ..  <b>Cover Assembly—</b> (Alternative to 2276)— includes items 3, 4 ... .. and :— <b>Cover—</b> not serviced separately. <b>Valve and Gland Assembly</b> ... .. <b>Ring—</b> Sealing ... .. <b>Screw—</b> Valve Stem ... ..	1	1			
3	1206 1650 043 M1	<b>Gauze—</b> Filter (use with 7110) ... .. <b>Gauze—</b> Filter (use with 632 948 M92) ... ..	1	1			
4	1650 042 M1	<b>Washer—</b> Filter ... ..	1	1			

SM7UCZ

**“20” TRACTOR PARTS LIST**

Ref. No.	Part No.	Description	No. Off				
			80 m/m Pet.	85 m/m Pet.	85 m/m V.O.	85 m/m L.O.	20C Diesel
5	632 954 M1	<b>Bowl—Filter</b> ... ..	1	1			
6	1650 038 M1	<b>Retainer Assembly—Filter Bowl</b> ... ..	1	1			
7	1850 091 M91	<b>Fuel Valve and Sediment Bowl Assembly—Complete</b> ... ..			1	1	
8	2589	<b>Plug—Fuel Filter</b> ... ..			1	1	
9	1850 160 M1	<b>Cork Seat—Fuel Filter</b> ... ..			1	1	
10	1850 161 M91	<b>Body Assembly—Complete</b> ... ..			1	1	
	1850 162 M1	<b>Tubing Sleeve—Fuel Line...</b> ... ..			1	1	
	1850 163 M1	<b>Nut—Fuel Line</b> ... ..			1	1	
11	1850 164 M1	<b>Spring—Plug Seat</b> ... ..			1	1	
	1850 165 M1	<b>Locknut—Large</b> ... ..			1	1	
	1850 166 M1	<b>Locknut—Small</b> ... ..			1	1	
12	1650 043 M1	<b>Gauze—Filter</b> ... ..			1	1	
	1850 167 M91	<b>Union Screw Assembly</b> ... ..			2	2	
13	640 002 M1	<b>Washer—Filter Union</b> ... ..			4	4	

SM7UCZ



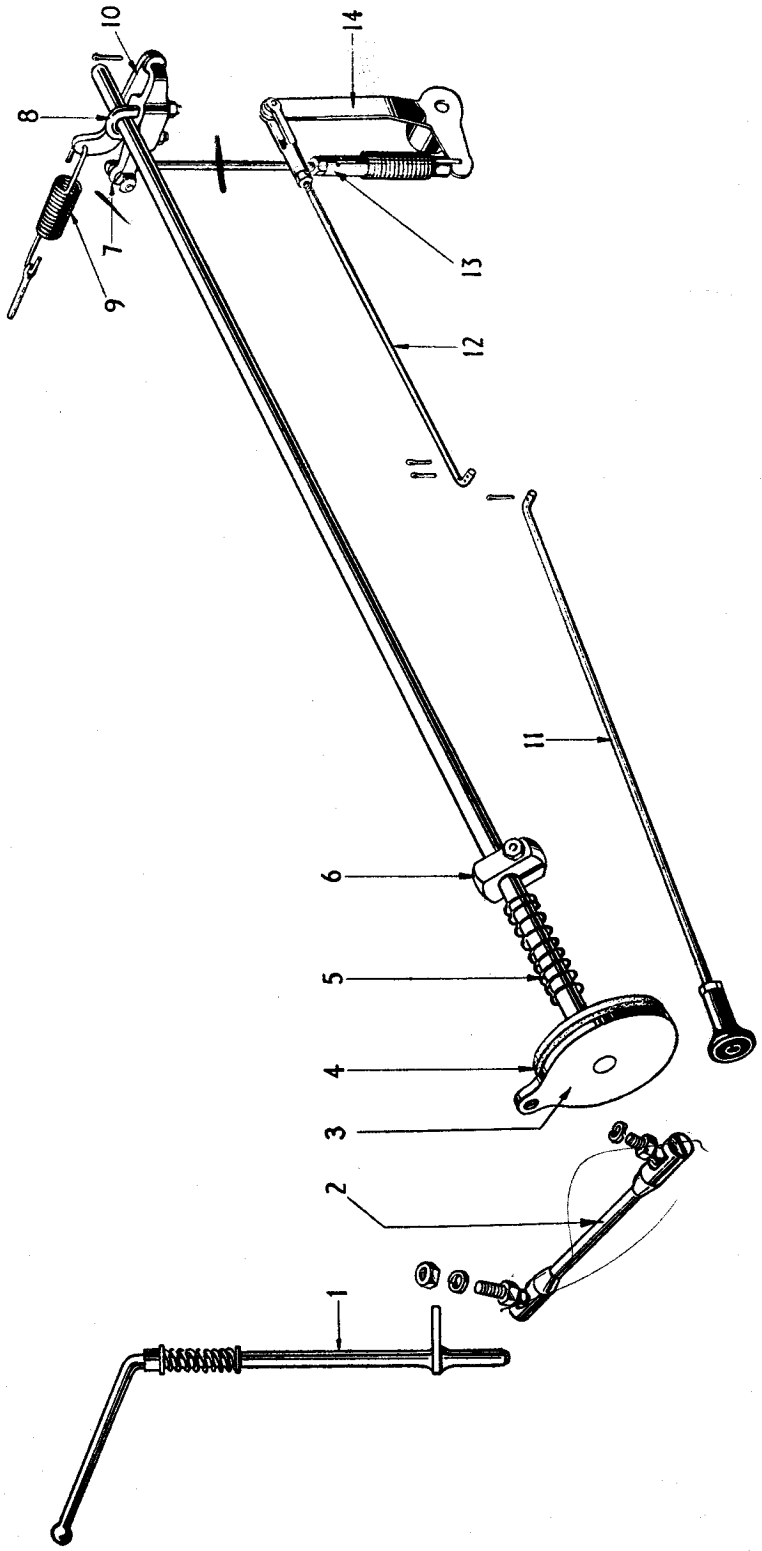
**"20" TRACTOR PARTS LIST**

Ref. No.	Part No.	Description	No. Off				
			80 m/m Pet.	85 m/m Pet.	85 m/m V.O.	85 m/m L.O.	20C Diesel
14	1650 042 M1	Washer—Fuel Filter ... ..			1	1	
15	1850 168 M1	Bowl—Filter ... ..			1	1	
16	1850 169 M91	Stirrup Assembly—Filter Bowl ... ..			1	1	
<b>NOT ILLUSTRATED</b>							
9594		Pipe Assembly—Petrol—Filter to Carburettor	1	1*			
8752		Pipe Assembly—Petrol—Filter to Carburettor (includes 2212) ... ..		1†			
1850 170 M91		Pipe Assembly—Petrol—Filter to Carburettor (439170 and future) ... ..		1			
8661		Pipe Assembly—Fuel—Filter to Carburettor			1*	1*	
8685		Pipe Assembly—Fuel—Filter to Carburettor (includes 2212) ... ..			1‡	1‡	
301532		Pipe Assembly—Fuel—Filter to Carburettor (434835 and future) ... ..			1	1	
1921		Clip—Fuel Pipe ... ..	1	1	1	1	
1922		Half Clip—Fuel Pipe ... ..	1	1	1	1	
19FSR50B		Screw—Round Head ... ..	1	1	1	1	
353 445 X1		Washer—Lock ... ..	1	1	1	1	
19FNXB		Nut—Hex. ... ..	1	1	1	1	
2212		Nut—Connector ... ..		2	1	1	
825 020 M1		Connector—Filter to Fuel Pipe } 200,001 and future ... ..		1			
2210		Connector—Carburettor to Fuel Pipe ... ..		1†	1†	1†	

\* Up to 200,000.  
 † From 200,001 to 439,169.  
 ‡ From 200,001 to 434,834.

SM7UCZ

FIG. 30



SM7UCZ

**"20" TRACTOR PARTS LIST**

Ref. No.	Part No.	Description	No. Off				
			80 m/m Pet.	85 m/m Pet.	85 m/m V.O.	85 m/m L.O.	20C Diesel
<b>FIG. 30. THROTTLE CONTROLS</b>							
1	7266	<b>Control—Throttle Assembly—Steering Column</b>	1	1*	1*	1*	
	7325	<b>Control—Throttle Assembly—Steering Column (200,001 and future)</b> ... ..		1	1	1	
2	2050	<b>Rod—Link—Assembly</b> } Alternatives ... ..	1	1*	1*	1*	
	4470	<b>Rod—Link—Assembly</b> } Alternatives ... ..	1	1*	1*	1*	
	4497	<b>Rod—Link</b> ... ..		1†	1†	1†	
	375 107 X1	<b>Nut—Lock (up to 200,000 and 327,892 and future)</b>	1	1	1	1	
	353 441 X1	<b>Washer—Lock (up to 200,000 and 327, 892 and future)</b> ... ..	2	2	2	2	
	826 897 M1	<b>Clip (200,001 and future)</b> ... ..		2	2	2	
	353 754 X1	<b>Washer—Flat (2 off from 327,892)</b> ... ..		1†	1†	1†	
	104308	<b>Link—Rod Assembly—</b> } ... ..		1	1	1	
		includes :—					
	825 418 M1	<b>Pin—Rod to Lever</b> } Tractor 327,892 ... ..		1	1	1	
104306	<b>Pin—Rod to Plate</b> } and future. ... ..		1	1	1		
3	2112	<b>Rod—Throttle Assembly</b> ... ..	1	1*			
	2231	<b>Rod—Throttle Assembly</b> ... ..			1*	1*	
	2669	<b>Rod—Throttle Assembly</b> ... ..		1†	1†	1†	
	2231	<b>Rod—Throttle Assembly (327,892 and future)</b> ... ..		1	1	1	

\* Up to 200,000  
 † From 200,001 to 327,891 only.

SM7UCZ

**“20” TRACTOR PARTS LIST**

Ref. No.	Part No.	Description	No. Off				
			80 m/m Pet.	85 m/m Pet.	85 m/m V.O.	85 m/m L.O.	20C Diesel
4	180 713 M1 1448	Washer—Throttle Rod Friction ... ..	1	1	1	1	
		Washer—Heavy ... ..	1	1	1	1	
5	826 995 M1	Spring—Throttle Control. ... ..	1	1	1	1	
6	1445 353 679 X1 355 565 X1	Clamp—Throttle Rod ... ..	1	1	1	1	
		Bolt—Clamp ... ..	1	1	1	1	
		Nut ... ..	1	1	1	1	
7	1610 4465 641 770 M1 375 107 X1	Lever—Control ... ..	1	1*	1*	1*	
		Lever—Control (200,001 and future) ... ..		1	1	1	
		Joint—Ball—Main ... ..	1	1	1	1	
		Nut—Ball Joint ... ..	1	1	1	1	
8	826 898 M1 353 916 X1 353 446 X1	Bolt—“ U ” ... ..	1	1	1	1	
		Nut—“ U ” Bolt ... ..	2	2	2	2	
		Washer—Lock ... ..	2	2	2	2	
9	825 033 M1	Spring ... ..	1	1	1	1	

SM7UCZ \* Up to 200,000

**"20" TRACTOR PARTS LIST**

Ref. No.	Part No.	Description	No. Off				
			80 m/m Pet.	85 m/m Pet.	85 m/m V.O.	85 m/m L.O.	20C Diesel
10	826 901 M1	Link ... ..	1	1	1	1	
	354 047 X1	Pin—Cotter ... ..	1	1	1	1	
11	4435	Rod—Choke Control Assembly (up to 439,169)	1	1	1	1	
	502093	Rod—Choke Control Assembly—(439,170 and future) ... ..		1	1	1	
	826 904 M1	Knob ... ..	1	1	1	1	
	19FNXB	Nut—Hex. ... ..	1	1	1	1	
	354 039 X1	Pin—Cotter ... ..	1	1	1	1	
12	58061	Rod—Tie—Throttle Control ... ..	1	1*	1*	1*	
	102810	Rod—Tie—Throttle Control(200,001 to 439,169)		1	1	1	
	825 930 M1	Rod—Tie—Throttle Control (439,170 and future)		1	1	1	
	825 212 M1	End—Fork ... ..	1	1	1	1	
	354 187 X1	Pin—Clevis—Fork ... ..	1	1	1	1	
	353 754 X1	Washer ... ..	1	1	1	1	
	354 041 X1	Pin—Cotter ... ..	3	3	3	3	
	825 383 M1	Washer ... ..	2	2	2	2	
13	825 008 M1	Rod—Arm—Governor Lever ... ..	1	1	1	1	
	1650 321 M1	Joint—Ball—Female ... ..	1	1	1	1	
	375 107 X1	Nut—Lock ... ..	1	1	1	1	
	1377	Plunger ... ..	1	1*	1*	1*	
	825 034 M1	Plunger ... ..		1†	1†	1†	
	1391	Spring ... ..	1	1*	1*	1*	
	825 037 M1	Spring ... ..		1†	1†	1†	
14	57088	Shaft and Lever Assembly	1	1*	1*	1*	
	103485	Shaft and Lever Assembly } Alternatives	1	1*	1*	1*	
	825 808 M91	Shaft and Lever Assembly } Alternatives		1†	1†	1†	
	825 403 M91	Shaft and Lever Assembly }		1†	1†	1†	

\* Up to 200,000.  
† 200,001 and future.

SM7UCZ

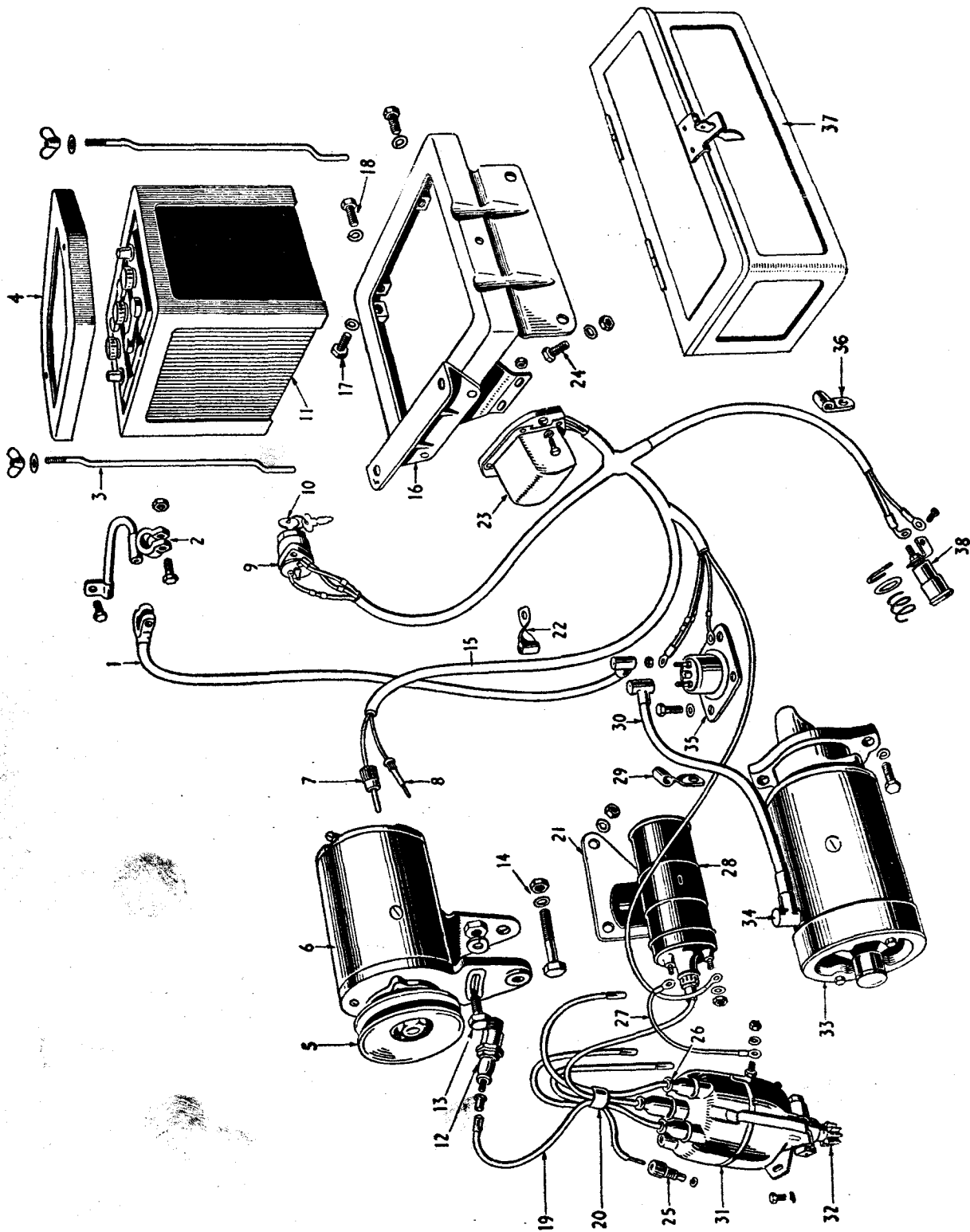


FIG. 31

SM7UCZ

**"20" TRACTOR PARTS LIST**

Ref. No.	Part No.	Description	No. Off				
			80 m/m Pet.	85 m/m Pet.	85 m/m V.O.	85 m/m L.O.	20C Diesel
<b>FIG. 31. ELECTRICAL EQUIPMENT COMPLETE WITH WIRING (6-volt)</b>							
1	*974374	Lead—Negative Battery to Starter Switch ...	1	1	1	1	
2	*974373	Lead—Positive Battery to Earth ...	1	1	1	1	
	*4188033	Bolt—Battery Lug—First 45,758 Tractors only ...	2				
	*4188035	Nut—Battery Lug Bolt—First 45,758 Tractors only	2				
	*186111	Screw—Parker Kalon ...	2	2	2	2	
3	4134	Bolt—Battery Anchorage ...	2	2	2	2	
	826 805 M1	Nut—Wing—Battery Anchorage ...	2	2	2	2	
	353 754 X1	Washer—Flat ...	2	2	2	2	
4	7271	<b>Top Frame and Hinges Assembly</b> ...	1	1	1	1	
	4392	Cover—Battery ...	1	1	1	1	
5	56837	Pulley—Dynamo ...	1†	1†	1†	1†	
	60561	Washer—Dynamo Pulley ...	1†	1†	1†	1†	
	825 365 M1	Pulley—Dynamo ...	1‡	1‡	1‡	1‡	
	825 382 M1	Washer—Dynamo Pulley ...	1‡	1‡	1‡	1‡	
6	*22420D	Dynamo 6v. ...	1†	1†	1†	1†	
	*22256B	Dynamo 6v. } Alternatives ...	1‡	1‡	1‡	1‡	
	*22261A	Dynamo 6v. ...	1‡	1‡	1‡	1‡	
7	*238743	Plug—Positive ...	1	1	1	1	
8	*238742	Plug—Field ...	1	1	1	1	
9	*31083B	Switch—Ignition ...	1	1	1	1	
10	*312305	Key—Ignition Switch ...	2	2	2	2	
11	*4010370F	Battery—6v.—Model STXFRW 13 E/6 ...	1	1	1	1	
12		Sparking Plug—14 mm. Champion L.10— Not serviced. Purchase Locally ...	4	4			
		Sparking Plug—14 mm. Champion N.7— Not serviced. Purchase Locally ...			4	4	
	825 394 M1	Cover—Waterproof Terminal ...	1	1	1	1	
	825 401 M1	Grommet ...	1	1	1	1	
13	353 885 X1	Bolt—Dynamo Attachment—refer Fig. 21 ...	1				
14	353 589 X1	Bolt—Dynamo Attachment—refer Fig. 21 ...	1				
15	*974361	Harness—Main—Includes Items 7 and 8 ...	1	1	1	1	
16	8565	Platform Assembly—Battery ...	1	1	1		
	8709	Platform Assembly—Battery ...				1	
<p>* These items and their Components serviced by Messrs. J. Lucas Ltd.                      † Up to 132,205                      ‡ 132,206 and future.</p>							

SM7UCZ

**“20” TRACTOR PARTS LIST**

Ref. No.	Part No.	Description	No. Off				
			80 m/m Pet.	85 m/m Pet.	85 m/m V.O.	85 m/m L.O.	20C Diesel
17	354 391 X1 353 432 X1	<b>Screw—Set—Air Cleaner to Battery Platform...</b> <b>Washer—Lock</b> ... ..	2	2	2	2	
18	354 391 X1 353 432 X1	<b>Screw—Set—Battery Platform to Bulkhead</b> ... <b>Washer—Lock</b> ... ..	2	2	2	2	
19	826 265 M1	<b>Wire—H.T.—5 ft. Length</b> ... ..	1	1	1	1	
20	*941834	<b>Cleat—Cable—Distributor Leads...</b> ... ..	3	3	3	3	
21	825 409 M1 353 918 X1	<b>Screw—Set—Ignition Coil</b> ... .. <b>Nut—Hex.</b> ... ..	2	2	2	2	
22	*858229 1919	<b>Clip—Cable</b> ... .. <b>Clip—Cable—Dynamo Lead</b> ... ..	1	1	1	1	
23	*37053E 353 668 X1 355 564 X1 353 441 X1	<b>Box—Control—Model RF.97</b> ... .. <b>Bolt—Control Box Attachment</b> ... .. <b>Nut—Control Box Attachment</b> ... .. <b>Washer—Lock</b> ... ..	1	1	1	1	
24	353 696 X1 355 645 X1 353 432 X1 354 391 X1 353 426 X1 2236 2237 2398 353 502 X1 353 446 X1 353 426 X1 353 708 X1 353 432 X1 355 645 X1 2397	<b>Bolt—Tool Box to Battery Platform</b> ... .. <b>Nut—Hex.</b> ... .. <b>Washer—Lock</b> ... .. <b>Bolt—Tool Box to Battery Platform</b> ... .. <b>Nut—Hex.</b> ... .. <b>Flange—Tool Box</b> ... .. <b>Support—Tool Box</b> ... .. <b>Support—Tool Box</b> ... .. <b>Bolt—Support to Tool Box</b> ... .. <b>Washer—Lock</b> ... .. <b>Nut—Hex.</b> ... .. <b>Bolt—Tool Box to Battery Platform</b> ... .. <b>Washer—Lock</b> ... .. <b>Nut—Hex.</b> ... .. <b>Distance Piece—Tool Box—1½" Long</b> ... ..	2 2 2	2 2 2	2† 2† 2† 1† 1† 1† 1	2† 2† 2† 1† 1† 1	
25	*410600 *185015	<b>Nut—Moulded—Cable Holding</b> ... .. <b>Washer—Split—Cable End</b> ... ..	5	5	5	5	
26	825 822 M1	<b>Cover—Terminal—Rubber</b> ... ..	5	5	5	5	
27	*999107	<b>Lead—Coil to Distributor</b> ... ..	1	1	1	1	
28	*45014A	<b>Coil—Ignition—Waist Fixed—6v.</b> ... ..	1	1	1	1	
29	*858229	<b>Clip—Cable</b> ... ..	2	2	2	2	
30	*974372	<b>Lead—Starter to Starter Switch</b> ... ..	1	1	1	1	
31	*40243A *40146D *40186A *40229A *400935	<b>Distributor—D3A4—Type V.160</b> ... .. <b>Distributor—D3A4—Type V.139/3</b> ... .. <b>Distributor—D3A4—V151</b> ... .. <b>Distributor—D3A4—V157</b> ... .. <b>Driver and Point Gauge (Not Illustrated)</b> ... ..	1	1	1	1	

\* These items and their Components serviced by Messrs. J. Lucas Ltd.  
 † Up to 124,635.  
 ‡ From 124,636 and future.

SM7UCZ



**"20" TRACTOR PARTS LIST**

Ref. No.	Part No.	Description	No. Off				20 C Diesel
			80 mm. Pet.	85 mm. Pet.	85 mm. V.O.	85 mm. L.O.	
32		Not required. Refer Fig.42 ... ..					
33	*25519E 60664	Starter-Model M418G-Type V.139 ... .. Washer-Starter Packing ... ..	1 A.R.	1 A.R.	1 A.R.	1 A.R.	
34	*858266	Boot-Rubber-Starter to Starter Switch Cable ...	3	3	3	3	
35	*76418A 353 675 X1 353 678 X1 353 755 X1 1300 1301 195 234 M1 353 755 X1 31PS50B 31PS156B 354 046 X1	Switch-Starter ... .. Screw-Set-Starter Switch Attachment-Cast Iron Trans. Case Only ... .. Screw-Set-Starter Switch Attachment- Elektron Trans. Case Only ... .. Washer-Flat ... .. Lever-Toggle-Starter Switch ... .. Link-Starter Switch ... .. Pin-Clevis-Reverse Rail ... .. Washer-Flat-Rev.Rail ... .. Pin-Clevis-Lever to Link ... .. Pin-Clevis-Link to Switch ... .. Pin-Cotter ... ..	1 4 4 4 1 1 1 1 1 1 1 1 3	1 1 4 4 1 1 1 1 1 1 1 1 3	1 1 4 4 1 1 1 1 1 1 1 1 3	1 1 4 4 1 1 1 1 1 1 1 1 3	
36	*187081	Clip-Cable-Warning Light ... ..	1	1	1	1	
37	825 633 M91 827 435 M1 825 799 M1 827 432 M1 827 433 M1 827 436 M1 1850 685 M91 4164 2643	Box Assembly-Tool ... .. Wrench-5/16" & 3/8" Hex. Open End ... .. Spanner-Tube-Plug ... .. Bar-Tommy ... .. Spanner-Tube-7/16" Hex. ... .. Wrench-7/16" & 3/8" Hex. Open End ... .. Gun-Grease ... .. Handle-Starting ... .. Retainer Bracket-Starting Handle ... ..	1 1 1 1 1 1 1 1 1	1 1 1 1 1 1 1 1 1	1 1 1 1 1 1 1 1 1	1 1 1 1 1 1 1 1 1	
38	*38029B	Light-Ignition Warning ... ..	1	1	1	1	
		NOT ILLUSTRATED					
	*414965 *974371 *829700 354 403 X1 353 432 X1 4309 2201 2202	Cover for Coil Lead (H.T.) ... .. Cable Set-Starter-Comprising items 1, 2 and 30 ... .. Harness-Wiring, Complete, includes items 1, 2, 15, 27 and 30 ... .. Bolt-Starter Fixing ... .. Washer-Lock ... .. Mat-Battery ... .. Clamp-Top-Battery Platform ... .. Packing-Rubber ... ..	1 1 1 2 2 1 2 2	1 1 1 1 1 1 2 2	1 1 1 1 1 1 2 2	1 1 1 1 2 2 1 2	
		*These items and their Components serviced by Messrs. J. Lucas Ltd.  From Tractor No.101678					

SM7UCZ

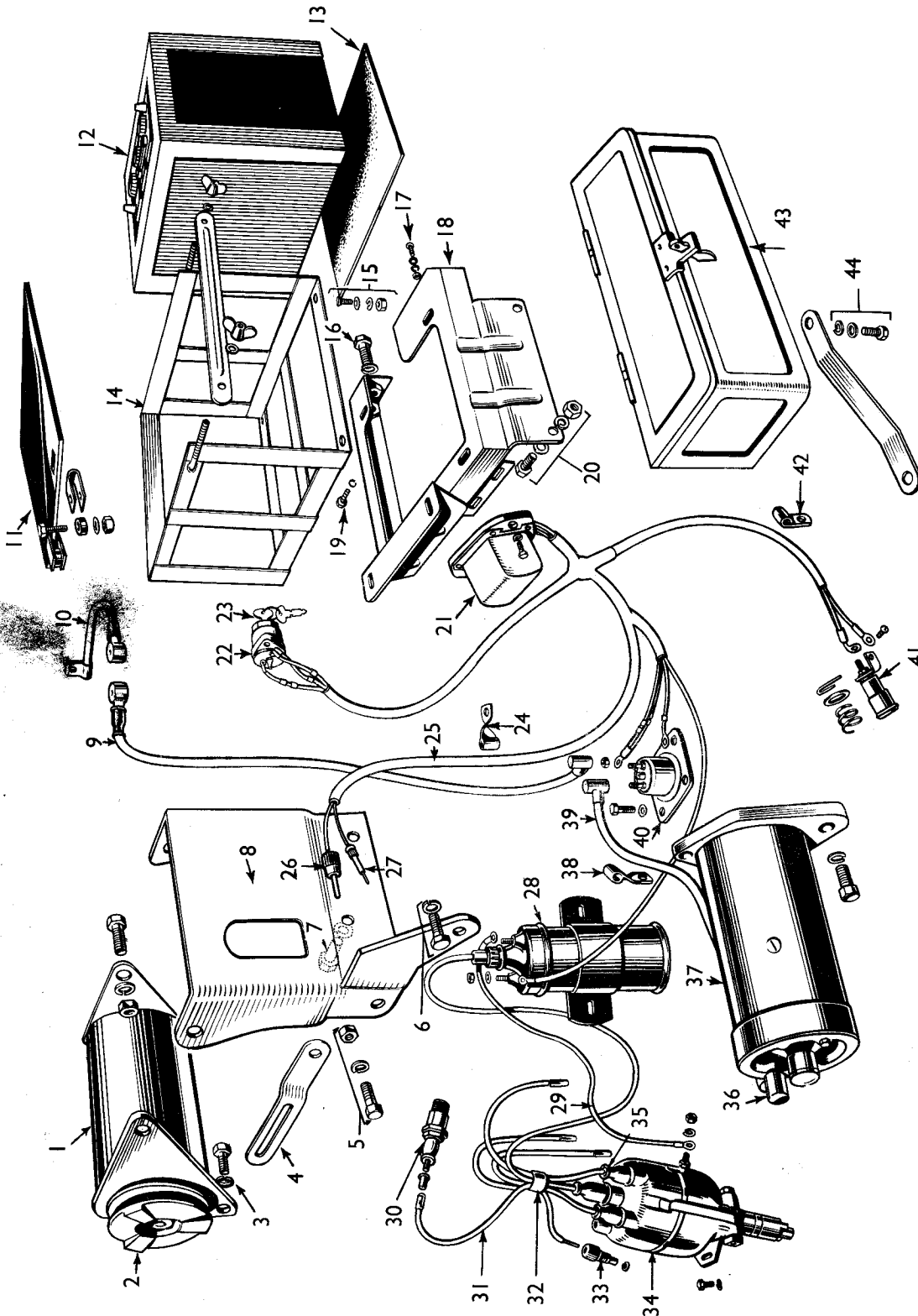


FIG. 31A. SM7UCZ

**"20" TRACTOR PARTS LIST**

Ref. No.	Part No.	Description	No. Off				
			80 mm. Pet.	85 mm. Pet.	85 mm. V.O.	85 mm. L.O.	20 C Diesel
<b>FIG.31A. ELECTRICAL EQUIPMENT COMPLETE WITH WIRING-12 VOLT (Fitted in Production from 200,001st Tractor)</b>							
1	* 22259F	Dynamo-12 Volt ... ..		1	1	1	
2	825 365 M1	Pulley-Dynamo ... ..		1	1	1	
	825 382 M1	Washer-Dynamo Pulley ... ..		1	1	1	
3	353 678 X1	Set Screw-Dynamo to Adjusting Link ...		1	1	1	
	353 755 X1	Washer-Flat ... ..		1	1	1	
	353 446 X1	Washer-Lock ... ..		1	1	1	
	500837	Washer-Plain ... ..		A.R.	A.R.	A.R.	
4	825 367 M1	Link-Dynamo Adjusting ... ..		1	1	1	
5	353 517 X1	Bolt-Link to Dynamo Bracket ... ..		1	1	1	
	353 446 X1	Washer-Lock ... ..		1	1	1	
	353 916 X1	Nut-Hex. ... ..		1	1	1	
6	354 616 X1	Bolt-Dynamo Bracket and Timing Cover to Cylinder Block ... ..		1	1	1	
	353 446 X1	Washer-Lock ... ..		1	1	1	
7	353 677 X1	Bolt-Bracket Assembly to Cylinder Block ...		2	2	2	
	353 446 X1	Washer-Lock ... ..		2	2	2	
8	825 408 M91	Dynamo Bracket Assembly ... ..		1	1	1	
9	* 974374	Lead-Negative Battery to Starter Switch ...		1	1	1	
10	* 974373	Lead-Positive Battery to Earth ... ..		1	1	1	
	* 186111	Screw-Parker Kalon-Not Illustrated ...		2	2	2	
11	4486	Battery Cover ... ..		1	1	1	
	2576	Clip-Battery Cover to Fuel Tank ... ..		2	2	2	
	2577	Distance Piece ... ..		2	2	2	
	353 669 X1	Bolt-Hex. ... ..		2	2	2	
	353 441 X1	Washer-Lock ... ..		2	2	2	
	335 564 X1	Nut-Hex. ... ..		2	2	2	
12	* 4011500F	Battery-12 Volt ] Alternatives ... ..		1	1	1	
	* 4011517F	Battery-12 Volt ] Alternatives ... ..		1	1	1	
13	4487	Battery Mat ... ..		1	1	1	
14	2572	Battery Cradle and Retainer Assembly, includes:-		1	1	1	
	825 044 M91	Retaining Plate Assembly-Battery, includes:-		1	1	1	
	353 754 X1	Washer-Flat ... ..		2	2	2	
	826 805 M1	Nut-Wing ... ..		2	2	2	
<p align="center">*These items and their Components serviced by Messrs. J. Lucas Ltd.</p>							
SM7UCZ							

"20" TRACTOR PARTS LIST

Ref. No.	Part No.	Description	No. Of				
			80 mm. Pet.	85 mm. Pet.	85 mm. V.O.	85 mm. L.O.	20 C Diesel
15	19FSF50B	Screw-Cradle to Platform ...		4	4	4	
	353 445 X1	Washer-Lock ...		4	4	4	
	353 753 X1	Washer-Flat ...		4	4	4	
	375 226 X1	Nut-Hex. ...		4	4	4	
16	354 391 X1	Bolt-Battery Platform to Bulkhead ...		2	2	2	
	353 432 X1	Washer-Lock ...		2	2	2	
17	826 732 M1	Bolt-Platform to Bulkhead and Dash Support ...		1	1	1	
	353 446 X1	Washer-Lock ...		1	1	1	
	1416	Washer-Flat-Heavy ...		1	1	1	
	353 916 X1	Nut-Hex. ...		1	1	1	
18	8761	Battery Platform Assembly ...		1	1	1	
19	354 391 X1	Bolt-Hex.-Platform to Air Cleaner ...		2	2	2	
	353 432 X1	Washer-Lock ...		2	2	2	
20	353 700 X1	Bolt-Tool Box to Battery Platform ...		2	2	2	
	2580	Distance Piece ...		2	2	2	
	353 432 X1	Washer-Lock ...		2	2	2	
	355 645 X1	Nut-Hex. ...		2	2	2	
21	* 37229	Box-Control-Model R.F.97		1	1	1	
	353 668 X1	Bolt-Control Box to Platform(Up to 372,809) ...		2	2	2	
	353 667 X1	Bolt-Control Box to Bracket		2	2	2	
	108778	Bracket-Control Box Mounting ] From 372,810 ...		1	1	1	
	353 441 X1	Washer-Lock ...		2	2	2	
	355 564 X1	Nut-Hex. ...		2	2	2	
22	* 31083B	Switch-Ignition-Model S.53 ...		1	1	1	
23	* 312305	Key-Ignition Switch ...		2	2	2	
24	* 858229	Cleat-Cable-Dynamo Lead ...		1	1	1	
25	* 829701	Harness-Main,includes items 26 and 27 ...		1	1	1	
	* 829700	Wiring Harness,includes items 9, 10, 25, 29 and 39 ...		1	1	1	
26	* 238743	Plug-Positive ...		1	1	1	
27	* 238742	Plug-Field ...		1	1	1	
28	* 45054H	Coil-Ignition-12 Volt-Model B.12 ...		1	1	1	
	825 409 M1	Stud-Coil to Cylinder Block ...		2	2	2	
	353 754 X1	Washer-Flat ...		2	2	2	
	353 918 X1	Nut-Hex. ...		2	2	2	
29	* 999108	Lead-Coil to Distributor ...		1	1	1	

\*These items and their Components serviced by Messrs. J. Lucas Ltd.

SM7UCZ

**“20” TRACTOR PARTS LIST**

Ref. No.	Part No.	Description	No. Off				
			80 m/m Pet.	85 m/m Pet.	85 m/m V.O.	85 m/m L.O.	20C Diesel
30		<b>Sparking Plug</b> —14 mm. Champion Type L.10 ...		4			
		<b>Sparking Plug</b> —Champion Type N.7 (Not serviced. Purchase Locally) ...			4	4	
	825 394 M1	<b>Cover</b> —Waterproof Terminal ...		4	4	4	
31	826 265 M1	<b>Wire</b> —H.T. 5ft. Length ...		1	1	1	
32	*941834	<b>Cleat</b> —Cable—Distributor and Dynamo Leads		1	1	1	
	*861609	<b>Clip</b> —Dynamo Lead to Manifold Rear ...		1			
	*861610	<b>Clip</b> —Dynamo Lead to Manifold Front ...		1	1	1	
	111841	<b>Clip</b> —Dynamo Lead to Manifold Front ...			1	1	
33	*410600	<b>Nut</b> —Moulded—Cable Holding ...		5	5	5	
	*185015	<b>Washer</b> —Split—Cable End ...		5	5	5	
34	*419458	<b>Distributor</b> —Model D.3 A.4. ...		1	1 †		
	*40186A	<b>Distributor</b> —Model D.3 A.4. ...			1 †		
	*40229A	<b>Distributor</b> —Model D.3 A.4. ...				1	
	825 741 M1	<b>Stud</b> —Distributor Attachment ...		2	2	2	
	353 754 X1	<b>Washer</b> —Flat ...		2	2	2	
	353 918 X1	<b>Nut</b> —Hex. ...		2	2	2	
	353 441 X1	<b>Washer</b> —Lock ...		2	2	2	
	*400935	<b>Driver and Point Gauge</b> —Not Illustrated ...		1	1	1	
35	825 822 M1	<b>Cover</b> —Terminal—Rubber (5 off up to Eng. SC52706E, S277980E or SB9927E) ...		4	4	4	
	825 824 M1	<b>Sleeve</b> —Terminal } Eng. SC52707E, S297981E		1	1	1	
	825 823 M1	<b>Radio Suppressor</b> } or SB9928E and future ...		1	1	1	
36	*858266	<b>Boot</b> —Rubber—Starter to Starter Switch Cable		3	3	3	
37	*25038B	<b>Starter</b> —Model M.35G. Type V.163 ...		1	1	1	
	353 699 X1	<b>Bolt</b> —Starter to Cylinder Block ...		2	2	2	
	353 432 X1	<b>Washer</b> —Lock ...		2	2	2	
	WV0710	<b>Washer</b> —Shakeproof—Lower Attachment Bolt		1	1	1	
38	*858229	<b>Cleat</b> —Cable—Starter ...		1	1	1	

\* These items and their Components serviced by Messrs. J. Lucas Ltd.

† Up to 209,810.

‡ From 209,811 and future.

SM7UCZ

**“20” TRACTOR PARTS LIST**

Ref. No.	Part No.	Description	No. Off				
			80 m/m Pet.	85 m/m Pet.	85 m/m V.O.	85 m/m L.O.	20C Diesel
39	*974372	Lead—Starter to Starter Switch ... ..		1	1	1	
40	*76418A	Switch—Starter ... ..		1	1	1	
	353 668 X1	Bolt—Starter Switch to Trans. Case ... ..		4	4	4	
	353 755 X1	Washer—Flat ... ..		4	4	4	
	1300	Lever—Toggle—Starter Switch ... ..		1	1	1	
	1301	Link—Starter Switch ... ..		1	1	1	
	195 234 M1	Pin—Clevis—Reverse Rail ... ..		1	1	1	
	353 755 X1	Washer—Reverse Rail ... ..		1	1	1	
	31PS50B	Pin—Clevis—Lever to Link ... ..		1	1	1	
	31PS156B	Pin—Clevis—Link to Switch ... ..		1	1	1	
	354 046 X1	Pin—Cotter ... ..		3	3	3	
		} Not Illustrated.					
41	*38075A	Light—Ignition Warning ... ..		1	1	1	
42	*900277	Clip—Cable—Warning Light ... ..		1	1	1	

\* These items and their Components serviced by Messrs. J. Lucas Ltd.

SM7UCZ

**"20" TRACTOR PARTS LIST**

Ref. No.	Part No.	Description	No. Off				
			80 m/m Pet.	85 m/m Pet.	85 m/m V.O.	85 m/m L.O.	20C Diesel
43	825 633 M91	<b>Tool Box Assembly</b> ... ..		1	1	1	
	825 797 M1	<b>Screwdriver</b> ... ..		1	1	1	
	827 432 M1	<b>Bar—Tommy</b> ... ..		1	1	1	
	825 799 M1	<b>Spanner—Tube—Plug</b> ... ..		1	1	1	
	827 433 M1	<b>Spanner—Tube—<math>\frac{7}{16}</math>" Hex.</b> ... ..		1	1	1	
	827 434 M1	<b>Wrench—Adjustable</b> ... ..		1	1	1	
	827 435 M1	<b>Wrench—<math>\frac{5}{16}</math>" x <math>\frac{3}{8}</math>" Hex.</b> ... ..					
		Open End ... ..		1	1	1	
	827 436 M1	<b>Wrench—<math>\frac{7}{16}</math>" x <math>\frac{5}{8}</math>" Hex.</b> ... ..	} Not Illustrated ...				
		Open End ... ..			1	1	1
	825 844 M91	<b>Gun—Grease</b> ... ..		1	1	1	
	825 798 M1	<b>Pliers</b> ... ..		1	1	1	
	2481	<b>Wrench—<math>\frac{5}{16}</math>"—Socket Screw</b> ... ..					
	(up to Tractor 330,043) ... ..		1	1	1		
4164	<b>Handle—Starting</b> ... ..		1	1	1		
2643	<b>Retainer Bracket—Starting Handle</b> ... ..		1	1	1		
44	2398	<b>Support—Tool Box</b> ... ..		1	1	1	
	353 516 X1	<b>Bolt—Hex. Support to Tool Box</b> ... ..		1	1	1	
	353 446 X1	<b>Washer—Lock</b> ... ..		1	1	1	
	353 916 X1	<b>Nut—Hex.</b> ... ..		1	1	1	

SM7UCZ

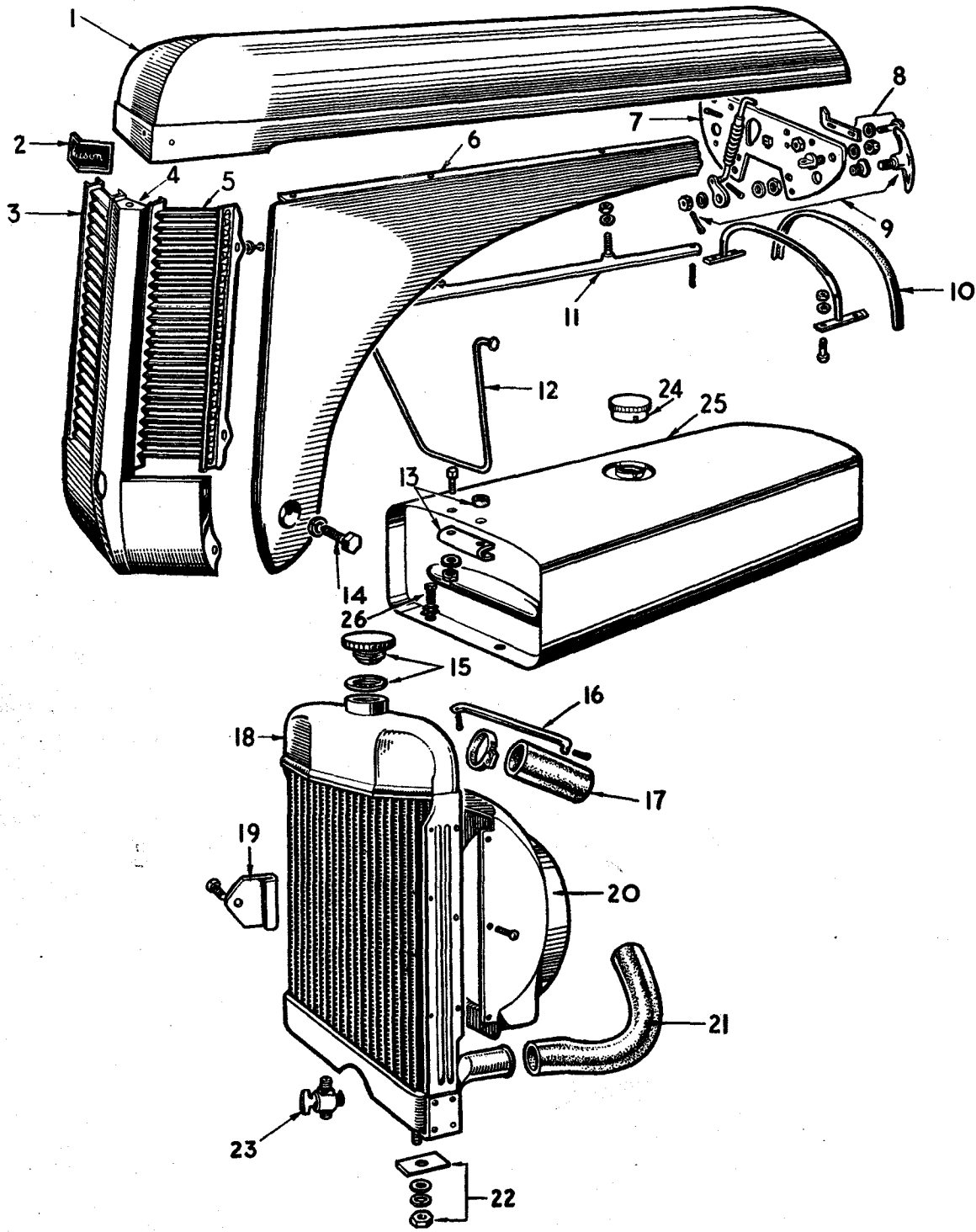


FIG. 32

SM7UCZ



"20" TRACTOR PARTS LIST

Ref. No.	Part No.	Description	No. Off				
			80 m/m Pet.	85 m/m Pet.	85 m/m V.O.	85 m/m L.O.	20C Diesel
<b>FIG. 32. RADIATOR, HOOD AND RELATED PARTS.</b>							
1	9507	Top Panel—Hood ... ..	1	1	1	1	1
	16FSR62B	Screw—Top Panel to Centre Bar ... ..					1
	353 444 X1	Washer—Lock ... ..					1
	353 752 X1	Washer—Flat ... ..					1
	353 668 X1	Bolt—Top to Side Panel ... ..	4	4	4	4	4
	355 564 X1	Nut—Hex. ... ..	4	4	4	4	4
	353 441 X1	Washer—Lock ... ..	4	4	4	4	4
2	1415	Name Plate... ..	1	1	1	1	1
	1450	Screw—Special ... ..	2	2	2	2	2
3	9524	Grille Assembly—R.H. ... ..	1	1	1	1	1
4	9533	Assembly of Lower Panels and Centre Bar... ..	1	1	1	1	
	300575	Assembly of Lower Panels and Centre Bar					1
	300813	Assembly of Lower Panels and Centre Bar } Alternatives ... ..					
5	9523	Grille Assembly—L.H. ... ..	1	1	1	1	1
	1360	Screw—Grille R.H. and L.H. to Centre Bar and Side Panel ... ..	8	8	8	8	8
	353 444 X1	Washer—Lock ... ..	8	8	8	8	8
	353 752 X1	Washer—Flat ... ..	8	8	8	8	8
6	9531	Panel Assembly—L.H. ... ..	1	1	1	1	1
	9532	Panel Assembly—R.H. ... ..	1	1	1	1	1
	353 675 X1	Bolt—Side to Lower Panels ... ..	4	4	4	4	4
	355 565 X1	Nut—Hex. ... ..	4	4	4	4	4
	353 446 X1	Washer—Lock ... ..	4	4	4	4	4
7	7104	Bulkhead (up to 200,000) ... ..	1	1	1	1	
	7332	Bulkhead (From 200,001) ... ..		1	1	1	
	200636	Bulkhead ... ..					1
	353 556 X1	Bolt—Bulkhead to Steering Housing ... ..	2	2	2	2	2
	353 432 X1	Washer—Lock ... ..	2	2	2	2	2
	353 426 X1	Nut—Hex. ... ..	2	2	2	2	2
	353 516 X1	Bolt—Bulkhead to Dash Support ... ..					4
	353 446 X1	Washer—Lock ... ..					4
	353 916 X1	Nut—Hex. ... ..					4
8	102743	Stop—Throttle Lever ... ..					1
	353 516 X1	Bolt—Stop to Bulkhead ... ..					2
	353 916 X1	Nut—Hex. ... ..					1
	353 446 X1	Washer—Lock ... ..					2
	353 755 X1	Washer—Flat ... ..					2

SM7UCZ

**"20" TRACTOR PARTS LIST**

Ref. No.	Part No.	Description	No. Off				
			80 m/m Pet.	85 m/m Pet.	85 m/m V.O.	85 m/m L.O.	20C Diesel
9	1429	<b>Handle Assembly—Includes Shaft only</b> ...	2	2	2	2	2
		<b>Shaft—Handle—Not serviced separately</b> ...					
	1431	<b>Ferrule—Handle Assembly</b> ...	2	2	2	2	2
	1432	<b>Nut—Special</b> ...	2	2	2	2	2
	1433	<b>Lever—L.H.</b> ...	1	1	1	1	1
	1434	<b>Lever—R.H.</b> ...	1	1	1	1	1
	353 755 X1	<b>Washer—Flat</b> ...	2	2	2	2	2
	353 923 X1	<b>Nut—Slotted</b> ...	2	2	2	2	2
	354 039 X1	<b>Pin—Cotter</b> ...	2	2	2	2	2
	4170	<b>Catch Assembly—L.H.</b> ...	1	1	1	1	1
	4171	<b>Catch Assembly—R.H.</b> ...	1	1	1	1	1
	353 755 X1	<b>Washer—Flat—Catch to Bulkhead</b> ...	2	2	2	2	2
	353 923 X1	<b>Nut—Slotted—Catch to Bulkhead</b> ...	2	2	2	2	2
	354 039 X1	<b>Pin—Cotter—Catch to Bulkhead</b> ...	2	2	2	2	2
	354 046 X1	<b>Pin—Cotter—Catch Assembly</b> ...	2	2	2	2	2
	7093	<b>Bracket—Dash Support (Not Illustrated)</b> ...	1	1	1	1	
10	8566	<b>Strap Assembly—Hood Stiffening</b> ...	1	1	1	1	1
	353 668 X1	<b>Bolt—Hex.</b> ...	4	4	4	4	4
	355 564 X1	<b>Nut—Hex.</b> ...	4	4	4	4	4
	353 441 X1	<b>Washer—Lock</b> ...	4	4	4	4	4
	1944	<b>Seal—Rubber</b> ...	1	1	1	1	1
11	4167	<b>Runner Assembly—Hood Side</b> ...	2	2	2	2	2
	355 564 X1	<b>Nut—Hex.</b> ...	4	4	4	4	4
	353 441 X1	<b>Washer—Lock</b> ...	4	4	4	4	4
	354 059 X1	<b>Pin—Cotter</b> ...	2	2	2	2	2
12	7108	<b>Support—Hood</b> ...	1	1	1	1	1
13	2646	<b>Clip—Hood Support</b> ...	1	1	1	1	1
	1424	<b>Packing</b> ...	2	2	2	2	2
	353 504 X1	<b>Bolt—Hex.</b> ...	2	2	2	2	
	353 668 X1	<b>Bolt—Hex.</b> ...					2
	353 918 X1	<b>Nut—Hex.</b> ...	2	2	2	2	
	353 564 X1	<b>Nut—Hex.</b> ...					2
	353 441 X1	<b>Washer—Lock</b> ...	2	2	2	2	2
14	1364	<b>Screw—Shoulder</b> ...	2	2	2	2	2
15	4153	<b>Filler Cap—Radiator</b> ...	1	1	1	1	1
	1940	<b>Gasket—Filler Cap</b> ...	1	1	1	1	1
16	1567	<b>Tie Rod—Radiator</b> ...	1	1	1	1	
	2081	<b>Tie Rod—Radiator</b> ...					1
	354 046 X1	<b>Pin—Cotter</b> ...	2	2	2	2	2
	353 755 X1	<b>Washer—Flat</b> ...	A.R.	A.R.	A.R.	A.R.	A.R.

SM7UCZ

**"20" TRACTOR PARTS LIST**

Ref. No.	Part No.	Description	No. Off				
			80 m/m Pet.	85 m/m Pet.	85 m/m V.O.	85 m/m L.O.	20C Diesel
17	1568	Hose—Top—1½" I/D × 1½" O/D × 4.10" ...	1	1	1	1	1
	826 774 M1	Clip—Hose ... ..	2	2	2	2	2
18	9583	Radiator Assembly ... ..	1	1	1	1	
	9617	Radiator Assembly—Includes Item ... ..					1
19	1809	Plate—Cowl ... ..	1	1	1	1	1
		Screw—Parker Kalon "Z" Type ... ..	1	1	1	1	1
	9582	Cowl Assembly—Includes item 19 (up to 200,000) ... ..	1	1	1	1	
	9686	Cowl—(From 200,001) ... ..		1	1	1	
20	9651	Cowl Assembly—Includes Item 19 ... ..					1
	1941	Screw—Cowl to Radiator ... ..	7	7	7	7	7
	353 502 X1	Bolt—Hex. ... ..					1
	353 754 X1	Washer—Flat ... ..					1
	NN2907	Nut—Simmonds ... ..					1
21	7126	Hose—Bottom—1.38" I/D × 1.75" O/D ... ..	1	1	1	1	
	2413	Hose—Bottom—1.38" I/D × 1.75" O/D ... ..					1
	825 015 M1	Clip—Hose ... ..	2	2	2	2	2
22	1338	Packing—Anti-Squeak ... ..	2	2	2	2	2
	353 432 X1	Washer—Lock ... ..	2	2	2	2	2
	353 772 X1	Washer—Flat—Heavy ... ..	2	2	2	2	2
	355 645 X1	Nut—Hex. ... ..	2	2	2	2	2
23	826 773 M1	Tap—Drain ... ..	1	1	1	1	1
24	1564	Filler Cap, includes Wire and Chain (up to 25,000) ... ..	1				
	1897	Filler Cap, includes Wire and Chain (from 25,001) ... ..	1	1	2	2	
25	9623	Fuel Tank Assembly, includes 1897 (up to 200,000) ... ..	1	1			
	9642	Fuel Tank Assembly, includes 1897 ... ..			1	1	
	4477	Fuel Tank Assembly, includes 1897 (from 200,001) ... ..		1			
	2138	Transfer—Instruction ... ..	1	1	1	1	
26	2491	Bolt—Pointed } Alternatives ... ..	2	2	2	2	
	2679	Bolt—Pointed } Alternatives ... ..	2	2	2	2	
	826 786 M1	Washer—Tab ... ..	4	4	4	4	
	2131	Plate—Packing ... ..	4	4	4	4	
	826 785 M1	Packing—Rubber—Short ... ..	4	4	4	4	
	2129	Pad—Rubber—Long ... ..	2	2	2	2	

SM7UCZ

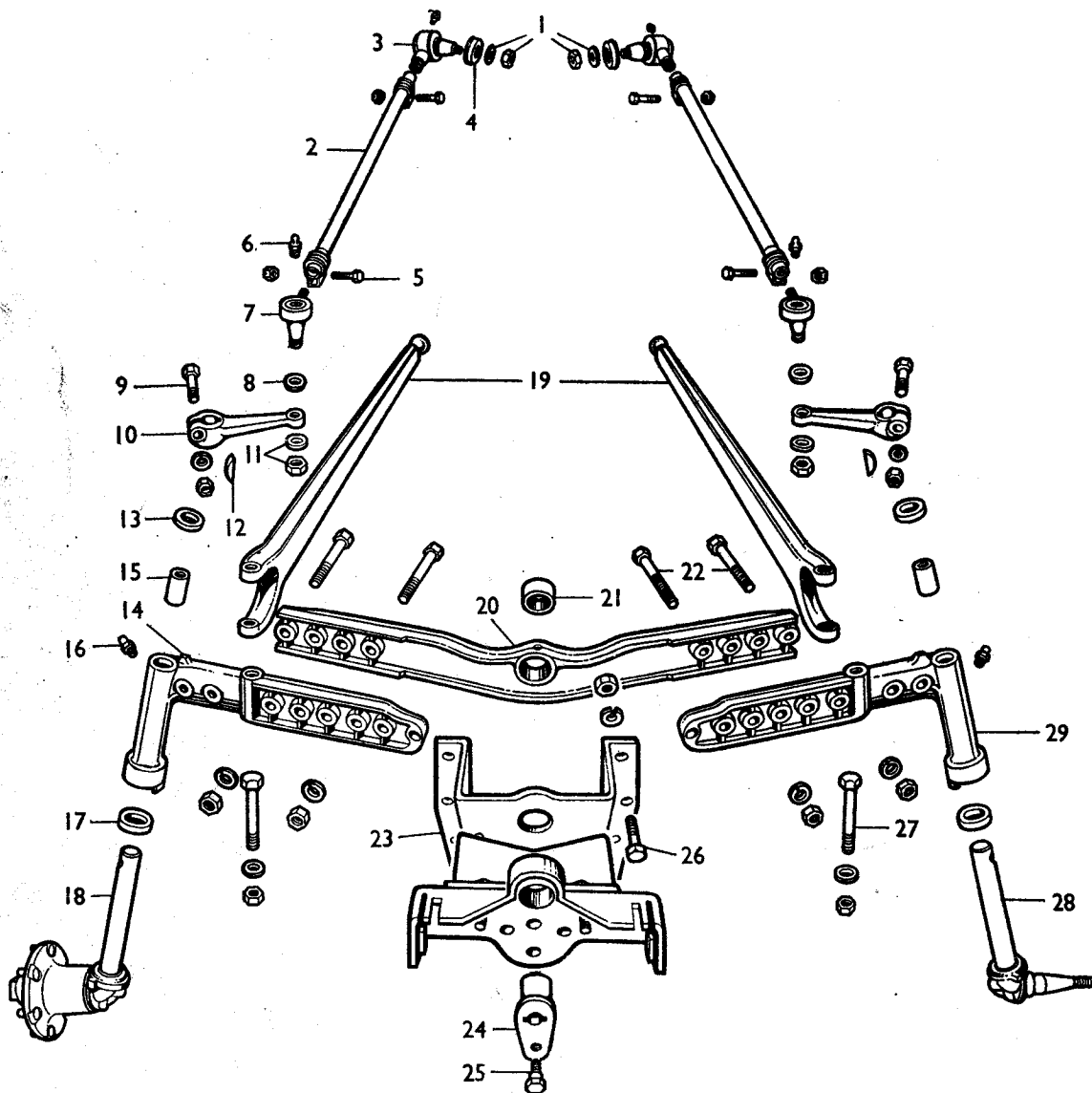
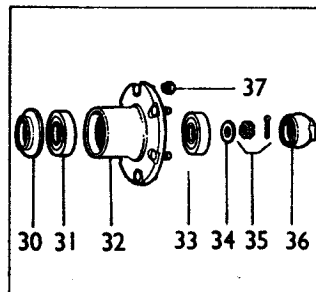
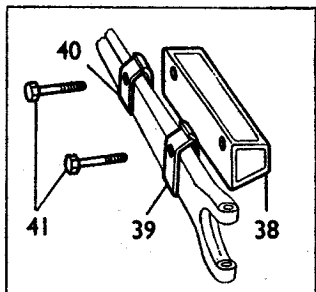


FIG. 33

SM7UCZ

**"20" TRACTOR PARTS LIST**

Ref. No.	Part No.	Description	No. Off				
			80 mm. Pet.	85 mm. Pet.	85 mm. V.O.	85 mm. L.O.	20 C Diesel
<b>FIG. 33. FRONT AXLE AND RELATED PARTS</b>							
1	353 758 X1 353 438 X1	Washer-Flat ... Nut-Hex.-Jam ...	2 2	2 2	2 2	2 2	2 2
2	7050 7051	Link Assembly-Steering Drag-R.H. includes items 3, 5, 6, and 7 ... Link Assembly-Steering Drag-L.H. includes items 3, 5, 6, and 7 ...	1 1	1 1	1 1	1 1	1 1
3	1454 1979 1455	Socket Assembly-Rear-R.H. Socket Assembly-Rear-R.H. (use 1454) } Alternative Socket Assembly-Rear-L.H. each includes items 1 and 4 ...	1 1 1	1 1 1	1 1 1	1 1 1	1 1 1
4	1886 825 570 M1	Boot-Rubber(for 1454 or 1455) ... Boot-Rubber(for 1979) ...	1 1	1 1	1 1	1 1	1 1
5	825 506 M1 826 755 M1 353 523 X1 353 521 X1 353 446 X1 353 916 X1	Clamp-Drag Link(for 7050 and 7051) ... Clamp-Drag Link(for 7191 and 7192) ... Bolt-Clamp to Drag Link(for 7050 and 7051) ... Bolt-Clamp to Drag Link(for 7191 and 7192) ... Washer-Lock ... Nut-Hex. ...	4 4 4 4 4 4	4 4 4 4 4 4	4 4 4 4 4 4	4 4 4 4 4 4	4 4 4 4 4 4
6	200 191 M1	Lubricator ...	4	4	4	4	4
7	126920	Socket Assembly-Front-R.H. and L.H. includes items 8 and 11 ...	2	2	2	2	2
8	1887 1888 825 570 M1	Boot-Rubber ] for 1156 Circlip ] Boot-Rubber(for 1978) ...	2 2 2	2 2 2	2 2 2	2 2 2	2 2 2
9	353 572 X1 353 432 X1 353 916 X1	Bolt-Hex ... Washer-Lock ... Nut-Hex. ...	2 2 2	2 2 2	2 2 2	2 2 2	2 2 2
10	4090 4396	Arm-Spindle-Up to 200,000 ... Arm-Spindle-From 200,001 ...	2 2	2 2	2 2	2 2	2 2
11	353 758 X1 353 438 X1	Washer-Flat ... Nut-Hex.-Jam ...	2 2	2 2	2 2	2 2	2 2
12	350 355 X1	Key-Woodruff ...	2	2	2	2	2
13	180 355 M1	Seal-Steering Arm ...	2	2	2	2	2

SM7UCZ

"20" TRACTOR PARTS LIST

Ref. No.	Part No.	Description	No. Of				
			80 mm. Pet.	85 mm. Pet.	85 mm. V.O.	85 mm. L.O.	20 C Diesel
14	180 326 M91	Axle Assembly-Front R.H. includes item 15 ...	1	1	1	1	1
15	180 345 M1	Bushing-Spindle ... ..	4	4	4	4	4
16	MP.1056	Lubricator ... ..	2	2	2	2	2
17	195 175 M1	Bearing Assembly-Spindle ... ..	2	2	2	2	2
18	8517	Spindle Assembly-R.H.-1 to 49,998 and 52,497 to 52,566 ... ..	1				
	180 346 M91	Spindle Assembly-R.H.-49,999 to 52,496 and from 52,567 ... ..	1	1	1	1	1
19	204359	Rod Assembly-Radius ... ..	2	2	2	2	2
20	8506	Axle Assembly-Centre, use 183 219 M91 ... ..	1	1	1	1	1
	183 219 M91	Axle Assembly-Centre (Service Replacement) each includes item 21 ... ..	1	1	1	1	1
21	180 344 M1	Bushing-Centre(for 8506) ... ..	1	1	1	1	1
	182 850 M1	Bushing-Centre(for 183 219 M91) ... ..	1	1	1	1	1
22	353 623 X1	Bolt-Hex. ... ..	4	4	4	4	4
	353 774 X1	Washer-Flat-Heavy ... ..	4	4	4	4	4
	353 427 X1	Nut-Hex. ... ..	4	4	4	4	4
23	8703	Support-Front Axle ... ..	1	1	1	1	
	8676	Support-Front Axle ... ..					1
24	156982500 2	Pin Assembly-Front Axle ... ..	1	1	1	1	
	2284	Pin Assembly-Front Axle ... ..					1
25	110620	Bolt-Front Axle Pin ... ..	1	1	1	1	1
	353 773 X1	Washer-Flat-Heavy ... ..	1	1	1	1	1
	353 926 X1	Nut-Slotted ... ..	1	1	1	1	1
	354 066 X1	Pin-Cotter ... ..	1	1	1	1	1
26	353 564 X1	Bolt-Support to Sump ... ..	1	1	1	1	2
	353 568 X1	Bolt-Support to Sump ... ..	1	1	1	1	
	353 432 X1	Washer-Lock ... ..	2	2	2	2	2
	353 426 X1	Nut-Hex. ... ..	2	2	2	2	2
	353 615 X1	Bolt-Support to Cyl.Block ... ..	4	4	4	4	1
	353 619 X1	Bolt-Support to Cyl.Block ... ..					3
	353 433 X1	Washer-Lock ... ..	4	4	4	4	4
	353 427 X1	Nut-Hex ... ..	4	4	4	4	4
27	353 642 X1	Bolt-Radius Rod to Axle ... ..	2	2	2	2	2
	353 774 X1	Washer-Flat-Heavy ... ..	2	2	2	2	2
	353 427 X1	Nut-Hex. ... ..	2	2	2	2	2
28	8518	Spindle Assembly-L.H.-1 to 49,998 and 52,497 to 52,566 ... ..	1				
	180 349 M91	Spindle Assembly-L.H.-49,999 to 52,496 and from 52,567 ... ..	1	1	1	1	1
29	180 327 M91	Axle Assembly-Front L.H. includes item 15 ... ..	1	1	1	1	1

SM7UCZ

"20" TRACTOR PARTS LIST

Ref. No.	Part No.	Description	No. Off				
			80 mm. Pet.	85 mm. Pet.	85 mm. V.O.	85 mm. L.O.	20 C Diesel
30	646 110 M1	Seal-Front Hub ... ..	2	2	2	2	2
31	4067	Bearing Assembly-Inner-1 to 49,998 and 52,497 to 52,566 ... ..	2				
	1850 224 M91	Bearing Assembly-Inner-49,999 to 52,496 and from 52,567 ... ..	2	2	2	2	2
32	7117	Hub Assembly-Front-1 to 49,998 and 52,497 to 52,566. Use 826 747 M91 with 1850 224 M91, 150 662 M11 and 180 346 M91 or 180 349 M91 ... ..	2				
	7188	Hub Assembly-Front-49,999 to 52,496 and from 52,567. Use 826 747 M91 ... .. Each includes 1120 and 1150	2	2	2	2	2
	1120	Bolt-Front Hub-1" dia. flatted Head ... ..	12	12	12	12	12
	1150	Plug-Pipe ... ..	2	2	2	2	2
	826 747 M91	Hub Assembly (Service Replacement), includes 181 328 M1 ... ..	2	2	2	2	2
	181 328 M1	Bolt-.82" dia. Head ... ..	12	12	12	12	12
33	4070	Bearing Assembly-Outer-1 to 49,998 and 52,497 to 52,566 ... ..	2				
	150 662 M11	Bearing Assembly-Outer-49,999 to 52,496 and from 52,567 ... ..	2	2	2	2	2
34	180 010 M1	Washer-Bearing Retainer ... ..	2	2	2	2	2
35	353 928 X1	Nut-Castle ... ..	2	2	2	2	2
	354 068 X1	Pin-Cotter ... ..	2	2	2	2	2
36	180 009 M1	Cap-Front Hub ... ..	2	2	2	2	2
	646 059 M1	Gasket-Front Hub (Not Illustrated) ... ..	2	2	2	2	2
37	195 490 M1	Nut-Wheel Bolt ... ..	12	12	12	12	12
38	825 633 M91	Tool Box Assembly ... ..					1*
39	826 808 M1	Clip-Tool Box to Radius Rod ... ..					1*
40	826 807 M1	Clip-Tool Box to Radius Rod ... ..					1*
41	353 568 X1	Bolt-Hex ... ..					2*
	353 432 X1	Washer-Lock ... ..					2*
	353 428 X1	Nut-Hex-Jam ... ..					2*
NOT ILLUSTRATED							
	200336	Bracket Assembly-Starting Handle ... ..					1
	353 560 X1	Bolt-Bracket to Support(3 off up to 266,963) ... ..					1
	353 772 X1	Washer-Flat-Heavy ... ..					3
	353 432 X1	Washer-Lock ... ..					3
	353 426 X1	Nut-Hex ] From 266,964 ... ..					2
<p align="center">*From 478,527 For previous location see Fig.10</p>							

SM7UCZ

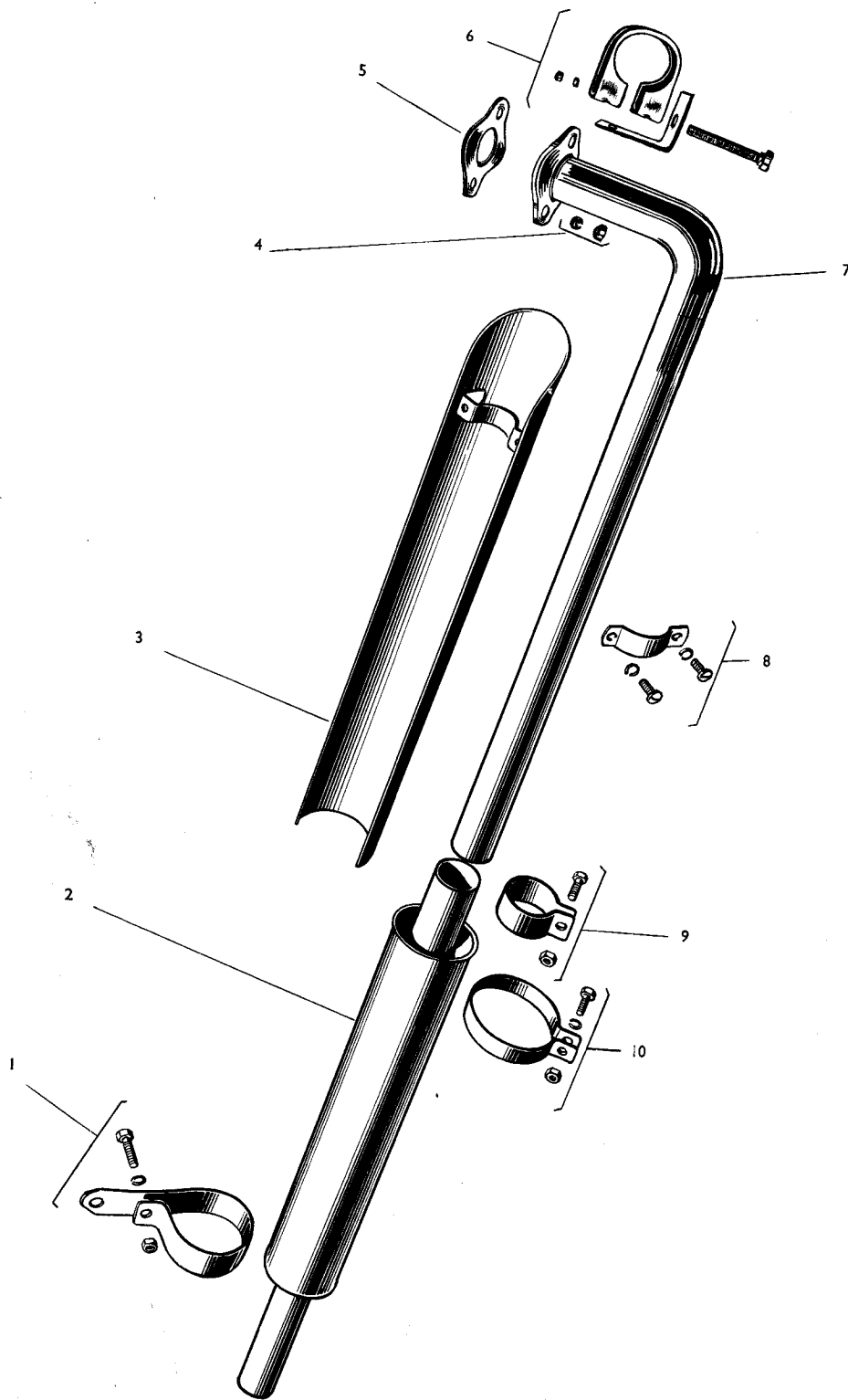


FIG. 34  
SM7UCZ

CTP 257



Ref. No.	Part No.	Description	No. Off				
			80 m/m Pet.	85 m/m Pet.	85 m/m V.O.	85 m/m L.O.	20C Diesel
<b>FIG. 34. MUFFLER ASSEMBLY AND RELATED PARTS</b>							
1	4111	Clip—Muffler to Axle Housing ... ..	1	1	1	1	1
	353 679 X1	Bolt—Hex. ... ..	1	1	1	1	1
	355 565 X1	Nut—Hex. ... ..	1	1	1	1	1
	353 446 X1	Washer—Lock ... ..	1	1	1	1	1
2	8539	Muffler and Outlet Pipe... ..	1	1	1	1	1
3	8561	Shield Assembly—Exhaust ... ..	1	1	1	1	1
4	825 187 M1	Nut—Hex. ... ..	2	2	2	2	2
	353 434 X1	Washer—Lock ... ..	2	2	2	2	2
	353 756 X1	Washer—Flat ... ..					1
5	825 003 M1	Gasket—Exhaust Flange ... ..	1	1	1	1	1
6	1954	Bracket—Exhaust Pipe Clip ... ..	1	1	1	1	
	2278	Bracket—Exhaust Pipe Clip ... ..					1
	59027	Clip—Exhaust Pipe ... ..	1	1	1	1	1
	354 614 X1	Bolt—Hex. ... ..	1	1	1	1	1
	355 565 X1	Nut—Hex. ... ..	1	1	1	1	1
	353 755 X1	Washer—Flat ... ..	1	1	1	1	1
7	8584	Pipe—Muffler Inlet ... ..	1	1*			
	8756	Pipe—Muffler Inlet ... ..		†	1	1	
	8640	Pipe—Muffler Inlet ... ..					1
8	1276	Half Clip—Lower Exhaust Shield ... ..	1	1	1	1	1
	353 989 X1	Screw—Lower Exhaust Shield ... ..	2	2	2	2	2
	353 441 X1	Washer—Lock ... ..	2	2	2	2	2
9	180 070 M1	Clip—Muffler Inlet Pipe ... ..	1	1	1	1	1
	353 669 X1	Bolt—Hex. ... ..	1	1	1	1	1
	355 564 X1	Nut—Hex. ... ..	1	1	1	1	1
	353 441 X1	Washer—Lock ... ..	1	1	1	1	1
10	1383	Clip—Exhaust Shield to Muffler ... ..	1	1	1	1	1
	353 669 X1	Bolt—Hex. ... ..	1	1	1	1	1
	355 564 X1	Nut—Hex. ... ..	1	1	1	1	1
	353 441 X1	Washer—Lock ... ..	1	1	1	1	1

\* Up to 200,000.  
 † From 200,001 and future.

SM7UCZ

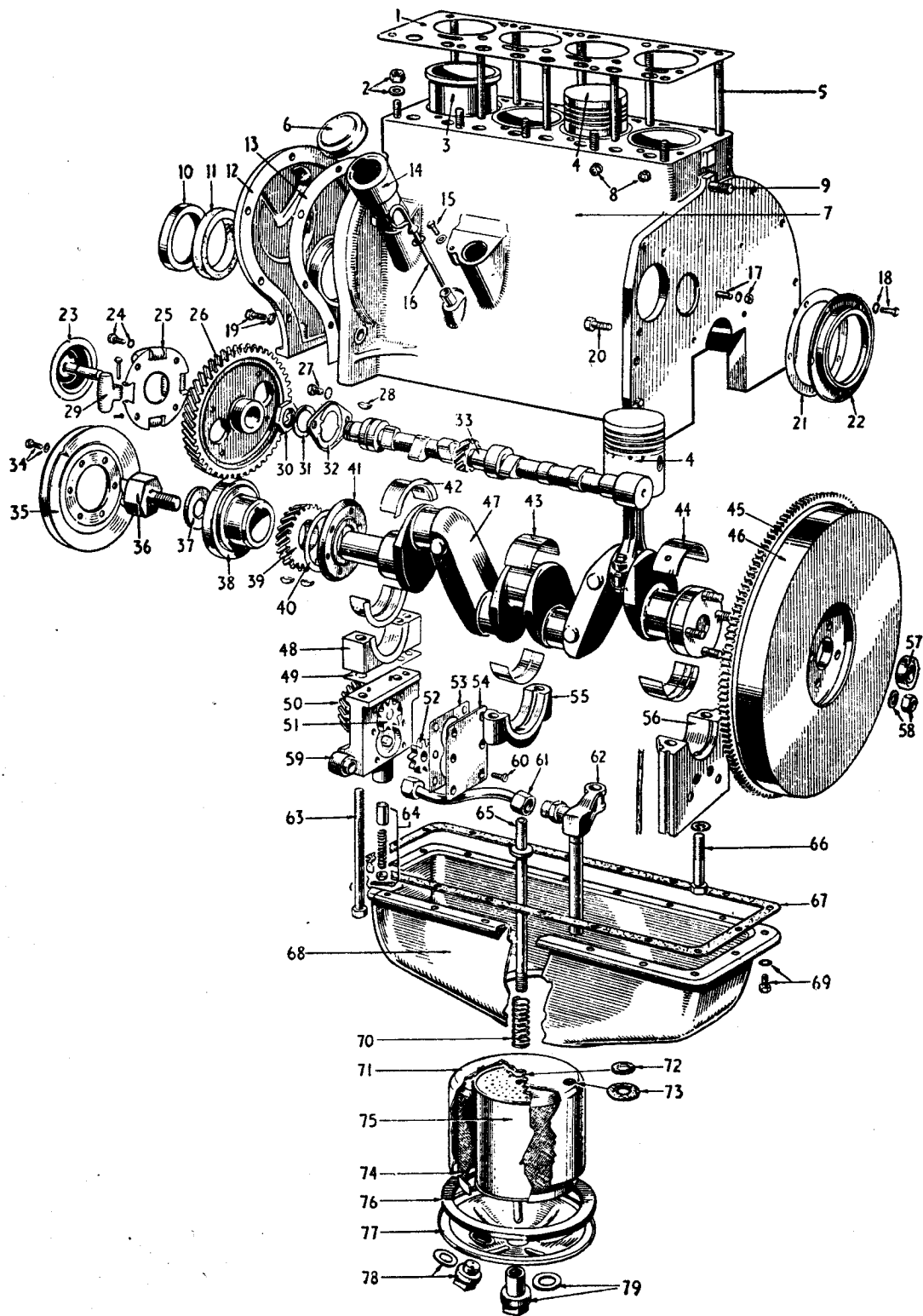


FIG. 35

SM7UCZ

Ref. No.	Part No.	Description	No. off TE-20	Remarks
		<b>FIG. 35. ENGINE DETAILS.</b>		
1	7135	<b>Gasket</b> —Cylinder Head to Cylinder ... ..	1	
2	1628	<b>Nut</b> —Cylinder Head to Cylinder ... ..	13	
	1625	<b>Washer</b> —Plain— $\frac{3}{4}$ " ... ..	13	
	1618	<b>Stud</b> — $\frac{7}{8}$ "—14—20 $\times$ $1\frac{1}{8}$ " ... ..	5	
3	2118	<b>Sleeve and Piston Assembly</b> ... ..	1	
4		For Piston and Ring Details see Fig. 36		
5	1626	<b>Stud</b> — $\frac{7}{8}$ "—14—20 $\times$ $4\frac{1}{8}$ " ... ..	8	
6	1754	<b>Cap Assembly</b> —Oil Filler ... ..	1	
7	9576	<b>Cylinder and Crankcase Assembly</b> —Includes items 2, 5, 8, 40, 48, 55, 56, 63 and 66 ... ..	1	
8	1665	<b>Stud</b> —Coil Bracket to Crankcase ... ..	2	
	353 441 X1	<b>Washer</b> —Lock ... ..	2	
9	1609	<b>Stud</b> — $\frac{7}{8}$ "—14—20 $\times$ $1\frac{1}{8}$ "—Rear end of Crankcase ... ..	1	
10	1691	<b>Seal</b> —Oil—Crankshaft Bearing Front ... ..	1	
11	1765	<b>Seal</b> —Dust—Fan Drive Pulley ... ..	1	
12	8600	<b>Cover Assembly</b> —Gear—includes 8590, 1691, 1778, 1780 and 16 863 X and :— ... ..	1	
		<b>Cover</b> —Not serviced separately.		
	1910	<b>Dowel</b> —Gear Cover to Crankcase (not illustrated)	2	
	1769	<b>Shaft</b> —Governor Lever (not illustrated) ... ..	1	
	1776	<b>Bearing Needle</b> —Governor Lever Shaft ... ..	2	
	1777	<b>Seal</b> —Oil—Governor Lever Shaft ... ..	1	
	1767	<b>Seal</b> —Dust—Governor Shaft ... ..	1	
	1768	<b>Arm</b> —Governor Rocker ... ..	1	
	1672	<b>Pin</b> —Governor Rocker to Shaft ... ..	1	
	1673	<b>Pin</b> —Governor Lever to Shaft— $\frac{5}{8}$ " $\times$ 1" long ... ..	1	
	1778	<b>Spring</b> —Governor Bumper ... ..	1	
	1780	<b>Washer</b> —Fibre—Bumper Spring to Gear Cover ... ..	2	
	1779	<b>Screw</b> —Governor Bumper Spring ... ..	1	
	16 863 X	<b>Rivets</b> —Governor Bumper Spring to Gear Cover ... ..	2	
	355 564 X1	<b>Nut</b> —Governor Bumper Spring Screw ... ..	1	
	2199	<b>Spring</b> —Governor Lever ... ..	1	
	4242	<b>Lever Assembly</b> —Governor ... ..	1	
13	7134	<b>Gasket</b> —Gear Cover to Crankcase ... ..	1	
14	4233	<b>Filler</b> —Oil ... ..	1	
15	353 666 X1	<b>Set Screw</b> —Distributor Attachment ... ..	1	
	353 441 X1	<b>Washer</b> —Lock ... ..	1	
	353 754 X1	<b>Washer</b> —Flat ... ..	1	

SM7UCZ

**"20" TRACTOR PARTS LIST**

Ref. No.	Part No.	Description	No. off TE-20	Remarks
16	1748	<b>Rod Assembly—Oil Gauge</b> ... ..	1	
	1751	<b>Washer—Felt—Oil Gauge Rod Cover</b> ... ..	1	
	1752	<b>Support—Oil Gauge Rod</b> ... ..	1	
17	1634	<b>Screw—Seal Retainer to Bearing Cap</b> ... ..	2	
	2239	<b>Gasket—Copper</b> ... ..	2	
18	1634	<b>Screw—<math>\frac{1}{4}</math>" <math>\times</math> <math>\frac{5}{8}</math>"—Oil Seal Retainer to Crankcase</b>	3	
	353 754 X1	<b>Washer—Flat</b> ... ..	3	
19	1615	<b>Screw—Gear Cover to Crankcase</b> ... ..	1	
	353 692 X1	<b>Screw—Gear Cover to Crankcase</b> ... ..	6	
	353 434 X1	<b>Washer—Lock</b> ... ..	7	
20	353 696 X1	<b>Screw—Set Cover to Transmission Case</b> ... ..	2	} Cast Iron Transmission Case only.
	353 699 X1	<b>Screw—Set</b> ... ..	11	
	353 432 X1	<b>Washer—Lock</b> ... ..	4	
	1609	<b>Stud</b> ... ..	1	
	353 426 X1	<b>Nut—Hex.</b> ... ..	1	
	353 757 X1	<b>Washer—Flat</b> ... ..	6	
	353 701 X1	Alternatively :— <b>Screw—Set</b> ... ..	6	
	353 702 X1	<b>Screw—Set</b> ... ..	5	
	353 697 X1	<b>Screw—Set—Cover to</b> } Alternatives ... ..	2	
	1608	Transmission Case <b>Stud—Cover to</b> } ... ..	2	
	1609	Transmission Case <b>Stud</b> ... ..	1	} Elektron Transmission Case only.
	353 426 X1	<b>Nut—Hex.</b> ... ..	1	
	353 432 X1	<b>Washer—Lock</b> ... ..	4	
21	1695	<b>Gasket—Oil Retainer Crankshaft</b> ... ..	1	
	1692	<b>Retainer—Rear Oil Seal Assembly</b> ... ..	1	
22	1781	<b>Seal—Oil—Rear Crankshaft</b> ... ..	1	
23	1773	<b>Cup and Shaft Assembly—Governor</b> ... ..	1	
24	1670	<b>Screw—Governor Weight Plate Camshaft Gear</b>	4	
	1671	<b>Washer—Lock—<math>\frac{3}{16}</math>"</b> ... ..	4	
25	4243	<b>Plate—Governor Weight</b> ... ..	1	
26	4212	<b>Gear—Timing—Camshaft</b> ... ..	1	
27	1630	<b>Screw—<math>\frac{5}{16}</math>"—18 <math>\times</math> <math>\frac{1}{2}</math>" Camshaft Thrust Plate to Crankcase</b> ... ..	2	
	WE 0608	<b>Washer—Shakeproof <math>\frac{5}{16}</math>"</b> ... ..	2	
28	1241	<b>Key—Camshaft Timing Gear to Camshaft</b> ... ..	1	
29	825 156 M91	<b>Weight—Governor Assembly</b> ... ..	4	
	825 891 M1	<b>Pin—Governor Weight to Plate</b> ... ..	4	
	354 040 X1	<b>Pin—Cotter</b> ... ..	4	
30	1632	<b>Nut—Camshaft Timing Gear to Camshaft</b> ... ..	1	
31	1911	<b>Washer—Cam Gear to Camshaft...</b> ... ..	1	

SM7UCZ

**"20" TRACTOR PARTS LIST**

Ref. No.	Part No.	Description	No. off TE-20	Remarks
32	1683	<b>Plate—Camshaft Thrust</b> ... ..	1	
33	8592	<b>Camshaft</b> ... ..	1	
34	353 665 X1	<b>Bolt—Hex.</b> ... ..	6	
	353 441 X1	<b>Washer—Lock</b> ... ..	6	
35	4240	<b>Pulley—Fan Drive</b> ... ..	1	
	1666	<b>Key—Fan Drive Pulley to Crankshaft</b> ... ..	1	
36	1690	<b>Jaw—Starting—Crankshaft</b> ... ..	1	
37	1633	<b>Washer—Crankshaft Starting Jaw to Crankshaft</b>	1	
38	4239	<b>Hub—Pulley—on Crankshaft</b> ... ..	1	
	4213	<b>Gear—Crankshaft—Timing</b> ... ..	1	
39	1666	<b>Key—Crankshaft Timing Gear to Crankshaft</b> ...	1	
	1685	<b>Plate—Thrust—Crankshaft</b> ... ..	1	
40	1686	<b>Washer—Thrust</b> ... ..	1	
	1621	<b>Pin—Thrust Washer</b> ... ..	3	
	1687	<b>Shim—Thrust—Crankshaft .002"</b> ... ..	A.R.	
	1688	<b>Shim—Thrust—Crankshaft .008"</b> ... ..	A.R.	
	1689	<b>Thrower—Crankshaft Oil</b> ... ..	1	
42	4245	<b>Bearing—Crankshaft Main—Front, Upper and Lower</b> ... ..	1	
	4245/2	<b>Bearing—Crankshaft Main—Front, .020" under-size</b> ... ..	1	
	4245/3	<b>Bearing—Crankshaft Main—Front, .030" under-size</b> ... ..	1	
	4245/4	<b>Bearing—Crankshaft Main—Front, .040" under-size</b> ... ..	1	
	4246	<b>Bearing—Crankshaft Main—Centre, Upper and Lower</b> ... ..	1	
43	4246/2	<b>Bearing—Crankshaft Main—Centre, .020" under-size</b> ... ..	1	
	4246/3	<b>Bearing—Crankshaft Main—Centre, .030" under-size</b> ... ..	1	
	4246/4	<b>Bearing—Crankshaft Main—Centre, .040" under-size</b> ... ..	1	
	4247	<b>Bearing—Crankshaft Main—Rear, Upper and Lower</b> ... ..	1	
44	4247/2	<b>Bearing—Crankshaft Main—Rear, .020" under size</b> ... ..	1	
	4247/3	<b>Bearing—Crankshaft Main—Rear, .030" under size</b> ... ..	1	
	4247/4	<b>Bearing—Crankshaft Main—Rear, .040" under-size</b> ... ..	1	
	4222	<b>Gear—Starter Ring</b> ... ..	1	
46	7139	<b>Flywheel Assembly</b> ... ..	1	

SM7UCZ

**"20" TRACTOR PARTS LIST**

Ref. No.	Part No.	Description	No. off TE-20	Remarks
47	1637 8593	<b>Stud—Flywheel to Crankshaft—<math>\frac{7}{8}</math>"—20 x <math>1\frac{1}{4}</math>"</b> <b>Crankshaft</b> ... ..	4 1	
48	1676	<b>Dowel Ring—Crankshaft Bearing Cap to Cylinder</b>	1	
49	1723	<b>Shim .002"—Oil Pump Body to Bearing Cap</b> ...	A.R.	
50	4251 1725 1735	<b>Oil Pump Assembly—Complete</b> ... .. <b>Oil Pump Drive Gear—Driven</b> ... .. <b>Gear and Shaft Assembly—Oil Pump Drive</b> ...	1 1 1	
51	4252 1733 1734 1727	<b>Body—Assembly—Oil Pump, includes :—</b> ... .. <b>Plug—Hubbard—Oil Pump Body</b> ... .. <b>Stud—Oil Pump Idler Gear</b> ... .. <b>Bushing—Oil Pump Body</b> ... ..	1 3 1 2	
52	1726	<b>Gear—Idler</b> ... ..	1	
53	1730	<b>Gasket—Oil Pump Cover to Body</b> ... ..	1	
54	1724 1648	<b>Cover—Oil Pump Body</b> ... .. <b>Pin—Oil Pump Bearing Cap</b> ... ..	1 2	
55	4215 1684 1623	<b>Bearing Cap—Centre</b> ... .. <b>Plug—Hubbard—Camshaft Bushing—Rear</b> ... .. <b>Plug—Pipe—Crankcase Oil Head</b> ... ..	1 1 2	
56	7138 1747	<b>Bearing Cap—Rear and Filler Block</b> ... .. <b>Packing—Filler Block</b> ... ..	1 A.R.	
57	195 174 M1	<b>Bearing—Clutch Pilot</b> ... ..	1	
58	1638 353 432 X1	<b>Nut—Flywheel to Crankshaft Stud</b> ... .. <b>Washer—Lock</b> ... ..	4 4	
59	1740	<b>Elbow—Oil Pump Inlet to Pump</b> ... ..	1	
60	1647	<b>Screw—Oil Pump Cover to Body</b> ... ..	6	
61	1729 1738	<b>Tube Assembly—Oil Pump Inlet, includes :—</b> <b>Sleeve</b> ... ..	1 2	
62	1741 2306 1739	<b>Support—Oil Pump Inlet Tube</b> ... .. <b>Tube—Oil Filter Suction</b> ... .. <b>Elbow—Oil Pump Inlet Tube to Support</b> ...	1 1 1	
63	1616	<b>Screw—Oil Pump to Crankcase</b> ... ..	2	
64	1731 1744 1732 354 061 X1	<b>Valve—Relief Oil Pressure</b> ... .. <b>Spring—Oil Pressure Relief Valve</b> ... .. <b>Retainer—Oil Relief Spring</b> ... .. <b>Pin—Cotter</b> ... ..	1 1 1 1	
65	1742	<b>Tube Assembly—Oil Filter</b> ... ..	1	
66	1617 1619	<b>Screw—Centre and Rear Brg. Cap to Crankcase</b> <b>Washer</b> ... ..	4 6	

SM7UCZ

" 20 " TRACTOR PARTS LIST

Ref. No.	Part No.	Description	No. Off T.E. 20	Remarks
67	7142	Gasket-Oil Pan to Crankcase ... ..	1	
68	8596	Pan-Oil ... ..	1	
69	1653	Screw and Lockwasher Assembly ...	18	
70	1711	Spring-Oil Strainer Screen ... ..	1	
71	4232	Cover-Oil Strainer ... ..	1	
72	1651	Washer-Felt-Oil Filter Tube ... ..	1	
73	1652	Washer-Felt-Oil Filter Suction Tube ...	1	
74	4231	Screen Assembly-Oil Strainer ... ..	1	
75	TE.18632-1	Element-Oil Filter, includes:- ... ..	1	
	TE.18636	Linen Sock ... ..	1	
76	4228	Gasket-Oil Pan Hand Hole Cover to Oil Pan ...	1	
77	4229	Cover Assembly-Hand Hole ... ..	1	
78	1746	Plug-Drain-Oil Pan ... ..	1	
	1655	Gasket-Plug ... ..	1	
79	1745	Nut-Oil Pan Hand Hole Cover ... ..	1	
	1645	Gasket-Oil Pan Hand Hole Cover Nut ...	1	
	7135	Gasket-Cylinder Head ... ..	1	
	7144	Gasket-Manifold ... ..	1	
	1730	Gasket-Oil Pump ... ..	1	
	4224	Gasket-Cylinder Head Cover ... ..	1	
	7134	Gasket-Gear Cover ... ..	1	
	7142	Gasket-Oil Pan ... ..	1	
	1677	Packing-Cylinder Liner ... ..	8	
	4228	Gasket-Hand Hole Cover ... ..	1	
	1691	Oil Seal-C/Shaft-Front ... ..	1	
	1695	Gasket-Oil Seal Retainer ... ..	1	
	4236	Gasket-Water Pump ... ..	1	
	1747	Packing-Filler Block ... ..	2	
	1765	Dust Seal-Fan Pulley ... ..	1	
	1777	Oil Seal-Governor Lever Shaft ... ..	1	
	1781	Oil Seal-C/Shaft-Rear ... ..	1	
	1645	Gasket-Screw ... ..	2	
	1655	Gasket-Plug ... ..	1	
	1654	Gasket-Nut ... ..	1	
	1756	Gasket-Water Pump Support to Body ...	1	
	1767	Dust Seal-Governor Shaft ... ..	1	
	1651	Felt-Oil Tube ... ..	1	
	1652	Felt-Oil Tube ... ..	1	
	1751	Felt-Oil Gauge Rod ... ..	1	
NOT ILLUSTRATED				
	1478	Union-Oil Pipe-Crankcase to Pressure Gauge ...	1	
	1659	Stud-Water Pump Body ... ..	1	
	1660	Stud-Water Pump Body ... ..	2	
	826 773 M1	Cock-Drain-Cylinder Block ... ..	1	

SM7UCZ

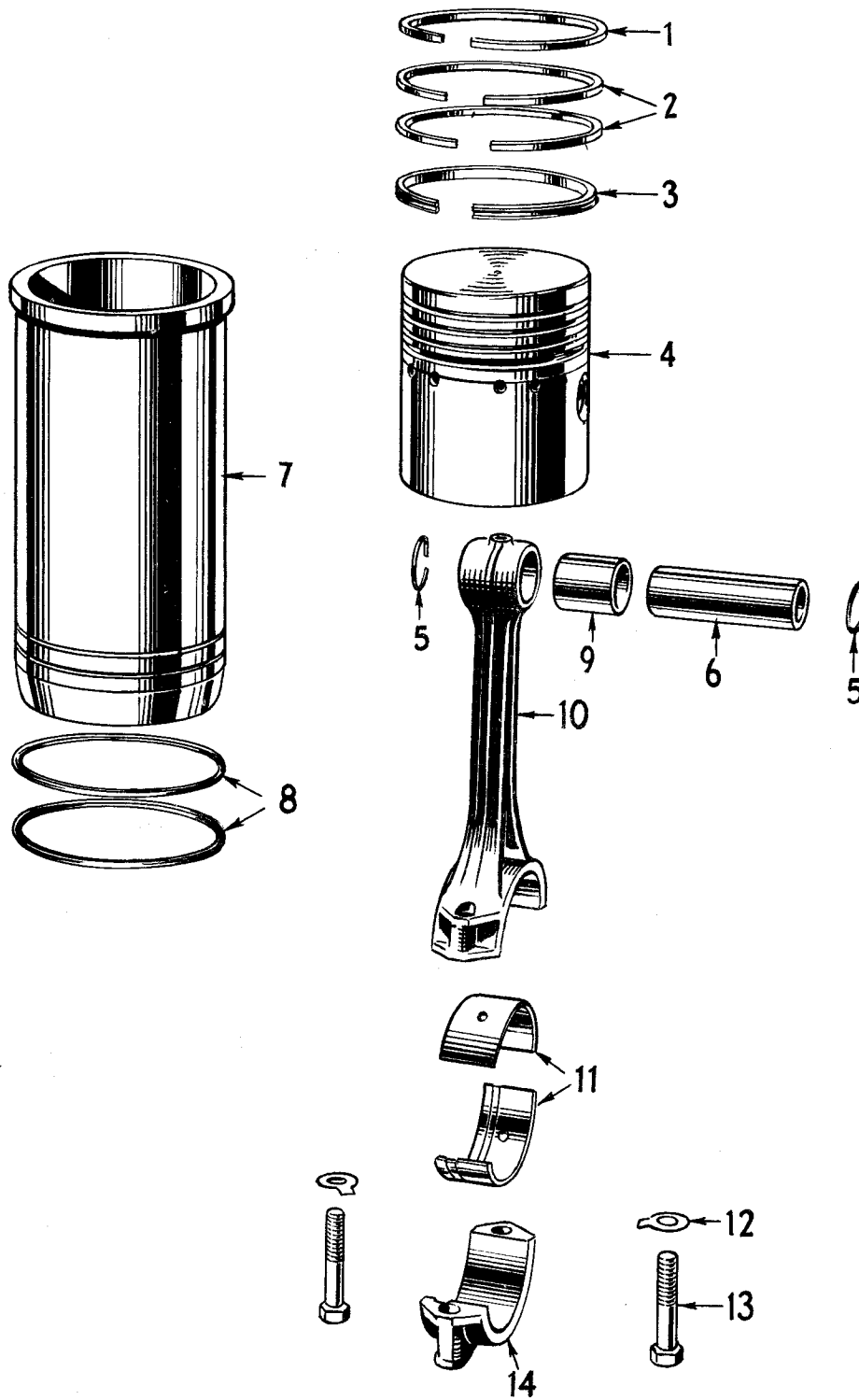


FIG. 36 SM7UCZ

CTP 258



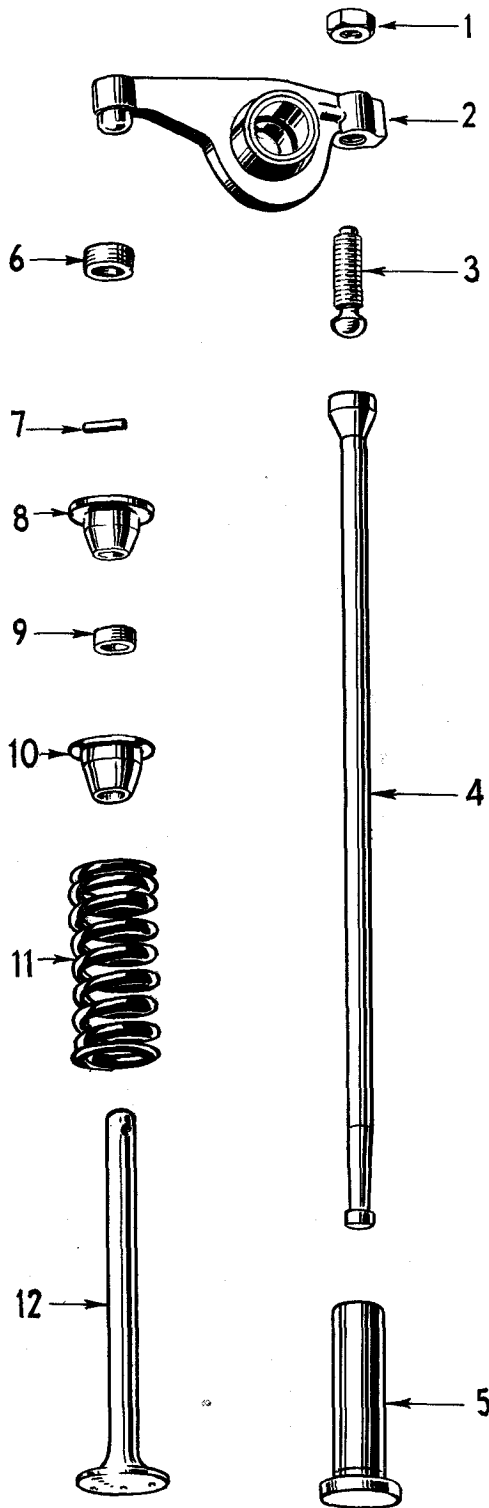


FIG. 37 SM7UCZ

CTP 259

Ref. No.	Part No.	Description	No. off TE-20	Remarks
		<b>FIG. 37. VALVE AND PUSH ROD ASSEMBLY.</b>		
	1783	<b>Arm Assembly—Rocker—R.H.</b> ... ..	4	
	1784	<b>Arm Assembly—Rocker—L.H.</b> ... .. Each includes appropriate items 1, 2 and 3	4	
1	353 917 X1	<b>Nut—Rocker Arm Screw</b> ... ..	8	
2		<b>Arm—Rocker R.H.—Not serviced separately.</b> Order 1783. <b>Arm—Rocker L.H.—Not serviced separately.</b> Order 1784.		
3	1709	<b>Screw—Rocker Arm Adjusting</b> ... ..	8	
4	1696	<b>Rod—Valve Push</b> ... ..	8	
	1697	<b>Tube—Push Rod—Not illustrated</b> ... ..	8	
5	2581	<b>Tappet—Valve</b> ... ..	8	
6	1717	<b>Cap—Valve Stem</b> ... ..	8	
7	1710	<b>Lock—Valve Spring Retainer</b> ... ..	8	
8		<b>Retainer—Valve Retainer—No longer serviced</b>		
9		<b>Gasket—Valve Spring—No longer serviced.</b>		
10	2241	<b>Seat—Valve Spring</b> ... ..	8	
11	2249	<b>Spring—Valve</b> ... ..	8	
12	1701	<b>Valve—Inlet and Exhaust</b> ... ..	8	
		<b>NOT ILLUSTRATED.</b>		
	1678	<b>Insert—Valve Seat Exhaust .010" oversize</b> ... ..	4	
	2240	<b>Guide—Valve Stem</b> ... ..	8	

SM7UCZ

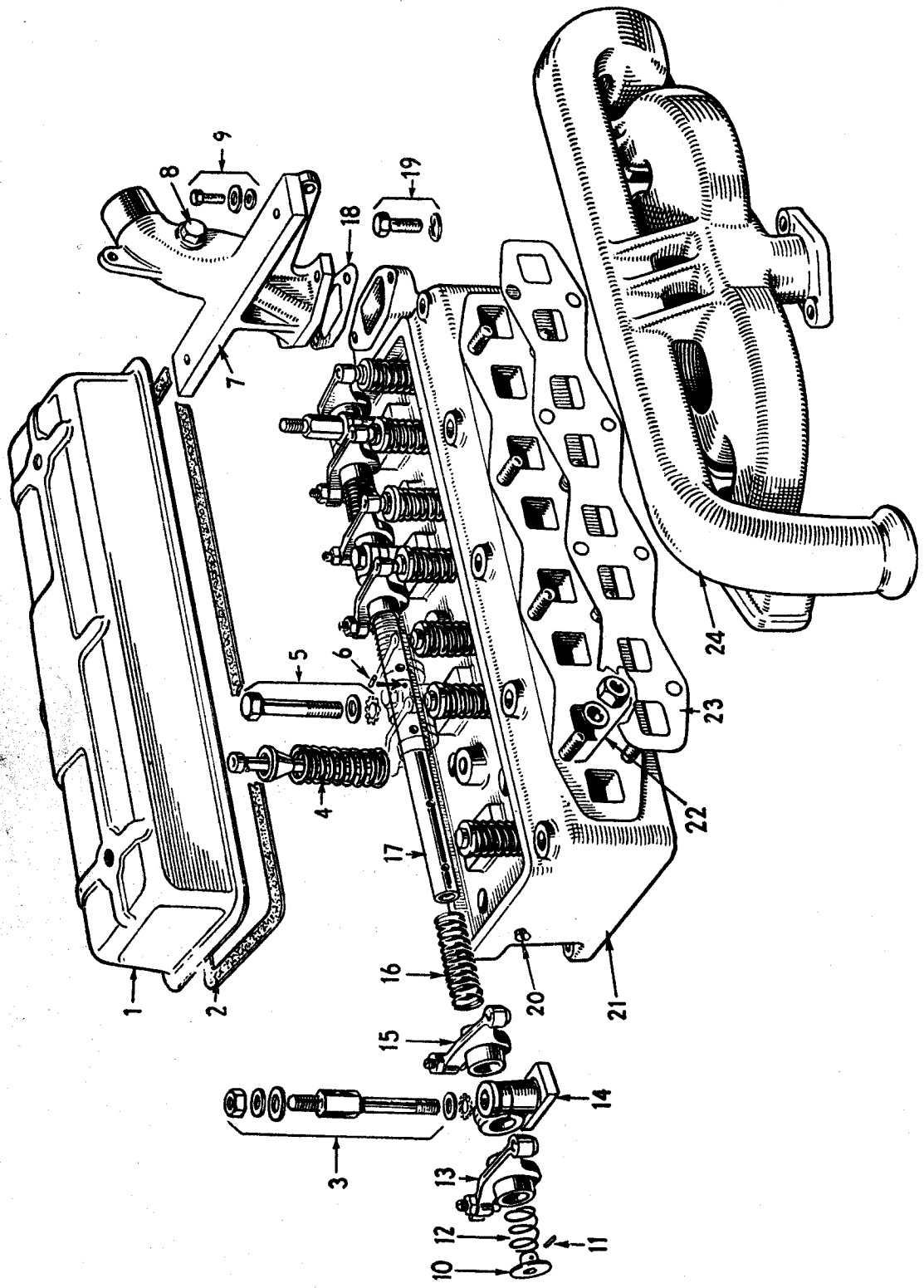


FIG. 38

SM7UCZ

**“20” TRACTOR PARTS LIST**

Ref. No.	Part No.	Description	No. off TE-20	Remarks
<b>FIG. 38. CYLINDER HEAD AND RELATED PARTS</b>				
1	8595	<b>Cover—Cylinder Head</b> ... ..	1	
2	4224	<b>Gasket—Cylinder Head Cover to Cylinder Head</b>	1	
3	1716	<b>Stud—Special—Rocker Arm Shaft to Cylinder Head</b> ... ..	2	
	1642	<b>Washer—Plain—Rocker Arm Shaft to Cylinder Head</b> ... ..	2	
	1643	<b>Nut—Cylinder Head Cover to Cylinder Head</b>	2	
	1645	<b>Gasket—Cylinder Head Cover to Cylinder Head</b>	2	
	1644	<b>Washer—Plain—Cylinder Head Cover to Cylinder Head</b> ... ..	2	
4		<b>Valve and Spring Assembly—Not serviced. See Fig. 37 for Details.</b>		
5	1641	<b>Screw—Rocker Arm Shaft Support to Cylinder Head</b> ... ..	2	
	1642	<b>Washer—Plain</b> ... ..	2	
	1644	<b>Washer—Plain</b> ... ..	4	
6	1640	<b>Pin—Rocker Arm Shaft</b> ... ..	1	
7	7099	<b>Elbow—Water Outlet</b> ... ..	1	
8	827 247 M1	<b>Plug—Elbow</b> ... ..	1	
	827 248 M1	<b>Gasket—Plug</b> ... ..	1	
9	354 616 X1	<b>Bolt—Elbow to Fuel Tank</b> ... ..	2	1st 200 Tractors only. 201st Tractor and Future.
	353 516 X1	<b>Bolt—Elbow to Fuel Tank</b> ... ..	2	
	353 755 X1	<b>Washer—Flat</b> ... ..	2	
	353 440 X1	<b>Washer—Lock</b> ... ..	2	
10	1714	<b>Plug—Rocker Shaft Oil</b> ... ..	2	
11	1640	<b>Pin—Oil Plug</b> ... ..	2	
12	1712	<b>Spring—Short—Rocker Shaft</b> ... ..	2	
13	1783	<b>Arm—Rocker Assembly—R.H.</b> ... ..	4	
14	1715	<b>Support—Rocker Arm Shaft</b> ... ..	4	

SM7UCZ

**“20” TRACTOR PARTS LIST**

Ref. No.	Part No.	Description	No. off TE-20	Remarks
15	1784	<b>Arm—Rocker Assembly—L.H.</b> ... ..	4	
16	1711	<b>Spring—Long—Rocker Shaft</b> ... ..	3	
17	7140	<b>Shaft—Rocker Arm</b> ... ..	1	
18	1324	<b>Gasket—Elbow</b> ... ..	1	
19	353 691 X1	<b>Bolt—Elbow to Cylinder Head</b> ... ..	2	
	353 434 X1	<b>Washer—Lock</b> ... ..	2	
20	1624	<b>Plug—Pipe</b> ... ..	1	
21	9578	<b>Head—Cylinder Assembly—With Valves,</b> includes :—	1	
	1701	<b>Valve—Intake and Exhaust</b> ... ..	8	
	2249	<b>Spring—Valve</b> ... ..	8	
	2241	<b>Seat—Valve Spring</b> ... ..	8	
	1710	<b>Lock—Valve Spring Retainer</b> ... ..	8	
	9577	<b>Head—Cylinder—Stripped, includes item 20</b> and:—	1	
		<b>Head—Cylinder—Not serviced separately.</b>		
	2240	<b>Guide—Valve</b> ... ..	8	
	1678	<b>Insert—Exhaust Valve</b> ... ..	4	
	1697	<b>Tube—Push Rod</b> ... ..	8	
	1716	<b>Stud—Rocker Arm Shaft—See item 3</b> ... ..	2	
	1627	<b>Stud—Exhaust Manifold—See item 22</b> ... ..	8	

SM7UCZ

**"20" TRACTOR PARTS LIST**

Ref. No.	Part No.	Description	No. off TE-20	Remarks
22	1627 1667 1644	<b>Stud—Manifold to Cylinder Head</b> ... .. <b>Nut—Brass—Manifold to Cylinder Head</b> ... .. <b>Washer—Manifold to Cylinder Head</b> ... ..	8 8 8	
23	7144	<b>Gasket—Manifold to Cylinder Head</b> ... ..	1	
24	8598	<b>Manifold—Exhaust and Intake</b> ... ..	1	

SM7UCZ

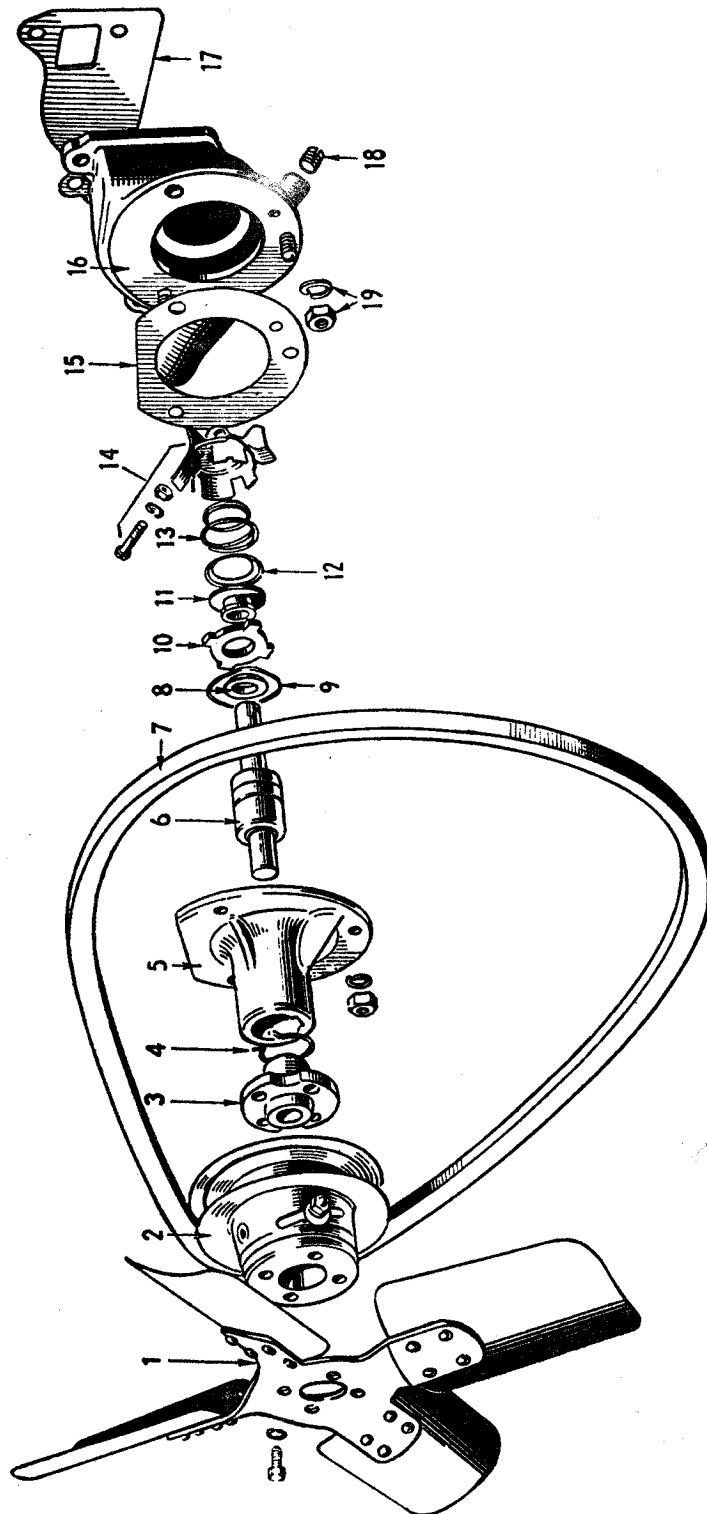


FIG. 39

Ref. No.	Part No.	Description	No. off TE-20	Remarks
		<b>FIG. 40. CARBURETTOR ASSEMBLY (MARVEL).</b>		
	7145	<b>Carburettor Assembly—Includes items through 31</b> ... ..	1	
1	1851	<b>Needle Assembly—High Speed</b> ... ..	1	
2	1841	<b>Spring—High Speed Needle</b> ... ..	1	
3	1847	<b>Washer—Plain—High Speed Needle</b> ... ..	1	
4	1849	<b>Gasket—High Speed Needle</b> ... ..	1	
5	1846	<b>Elbow and Screen Assembly—Petrol Inlet</b> ... ..	1	
6	1839	<b>Ratchet—High Speed Adjusting</b> ... ..	1	
	1859	<b>Screw and Lockwasher—Ratchet</b> ... ..	2	
7	1835	<b>Screw and Lockwasher—Throttle Body to Bowl</b>	4	
8	1850	<b>Valve, Float, Seat and Gasket Assembly (Matched). Includes :—</b>		
	1852	<b>Gasket</b> ... ..	1	

SM7UCZ



**“20” TRACTOR PARTS LIST**

Ref. No.	Part No.	Description	No. off TE-20	Remarks
9	1848	<b>Shaft—Float Lever</b> ... ..	1	
	1834	<b>Body Assembly—Carburettor</b> ... ..	1	
10	1845	<b>Float and Lever Assembly</b> ... ..	1	
11	1869	<b>Strainer—Felt Drain</b> ... ..	1	
12	1842	<b>Needle—Idle Adjusting</b> ... ..	1	
13	1855	<b>Spring—Idle Needle</b> ... ..	1	
14	1859	<b>Screw and Lockwasher—Throttle Fly</b> ... ..	2	
	1857	<b>Fly—Throttle</b> ... ..	1	
15	355 565 X1	<b>Nut—Carburettor to Manifold</b> ... ..	2	
	1669	<b>Lockwasher</b> ... ..	2	
	1674	<b>Stud</b> ... ..	2	
16	1668	<b>Gasket—Carburettor to Manifold</b> ... ..	1	
	4267	<b>Body Assembly—Throttle</b> ... ..	1	

SM7UCZ

Ref. No.	Part No.	Description	No. off TE-20	Remarks
		<b>FIG. 39. WATER PUMP ASSEMBLY AND FAN</b>		
	7148	<b>Water Pump Assembly—Complete—includes items 3 through 19, excepting items 7 and 17</b>		
	7143	<b>Works Assembly—Water Pump—includes items 3 through 14, excepting item 7 ... ..</b>	1	
1	8552	<b>Fan Assembly ... ..</b>	1	
	1663	<b>Screw and Lock Washer Assembly ... ..</b>	4	
2	4238	<b>Pulley Assembly—Fan ... ..</b>	1	
3	1764	<b>Hub—Fan ... ..</b>	1	
4	1762	<b>Ring—Snap—Bearing Retaining ... ..</b>	1	
5	4234	<b>Support Assembly—Pump Drive Shaft ... ..</b>	1	
6	1757	<b>Shaft and Bearing Assembly ... ..</b>	1	
7	8553 <i>826961</i>	<b>Belt—Fan ... ..</b>	1	
8	1763	<b>Slinger ... ..</b>	1	
9	1761	<b>Ring—Snap—Seal Retaining ... ..</b>	1	
10,11, 12,13	503265	<b>Seal Kit Complete, includes :— ... ..</b>	1	
	107707	<b>Seal ... ..</b>	1	
	106719	<b>Cup—Spring ... ..</b>	1	
	107716	<b>Clip—End ... ..</b>	1	
	107715	<b>Gland ... ..</b>	1	
	107717	<b>Circlip ... ..</b>	1	
	107720	<b>Spring ... ..</b>	1	
14	4235	<b>Impellor Assembly, includes item 9 and :— ... ..</b>	1	
	1657	<b>Screw—Impellor to Shaft ... ..</b>	1	
	1661	<b>Nut—Impellor to Shaft ... ..</b>	1	
	1671	<b>Washer—Impellor to Shaft ... ..</b>	1	
15	1756	<b>Gasket—Support to Body ... ..</b>	1	
16	7149	<b>Body Assembly—Water Pump, includes :— ... ..</b>	1	
	1627	<b>Stud—Support to Body ... ..</b>	2	
17	4236	<b>Gasket—Water Pump to Cylinder ... ..</b>	1	
18		<b>Not Required.</b>		
19	1643	<b>Nut—Support to Body and Body to Cylinder</b>		
		<b>Block ... ..</b>	5	
	353 434 X1	<b>Washer—Lock ... ..</b>	5	

SM7UCZ

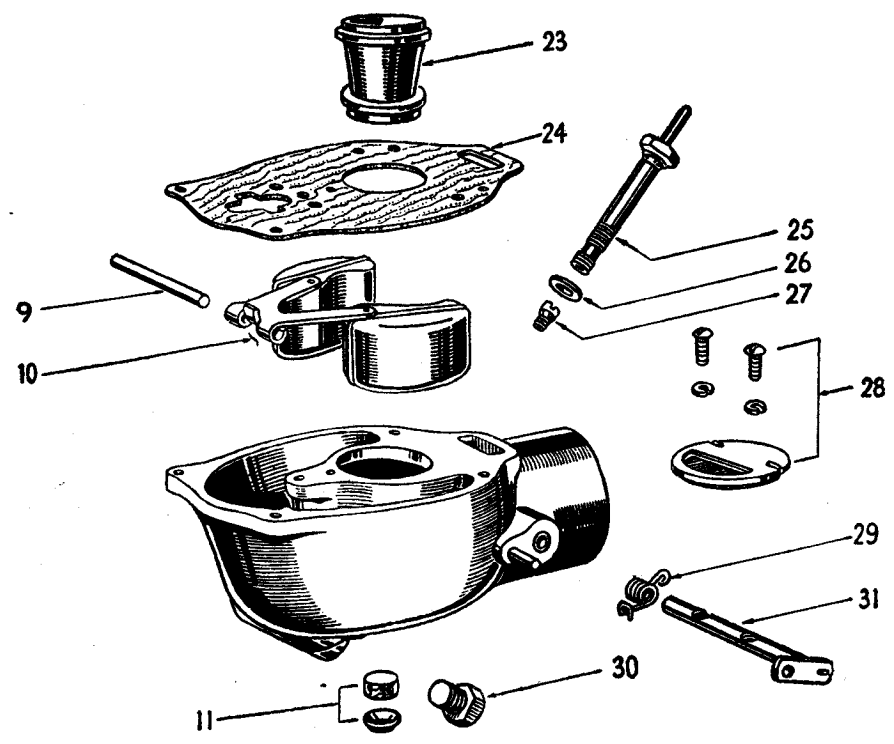
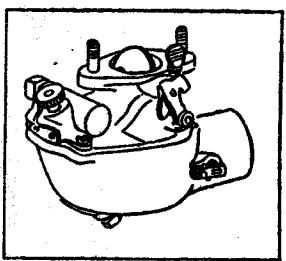
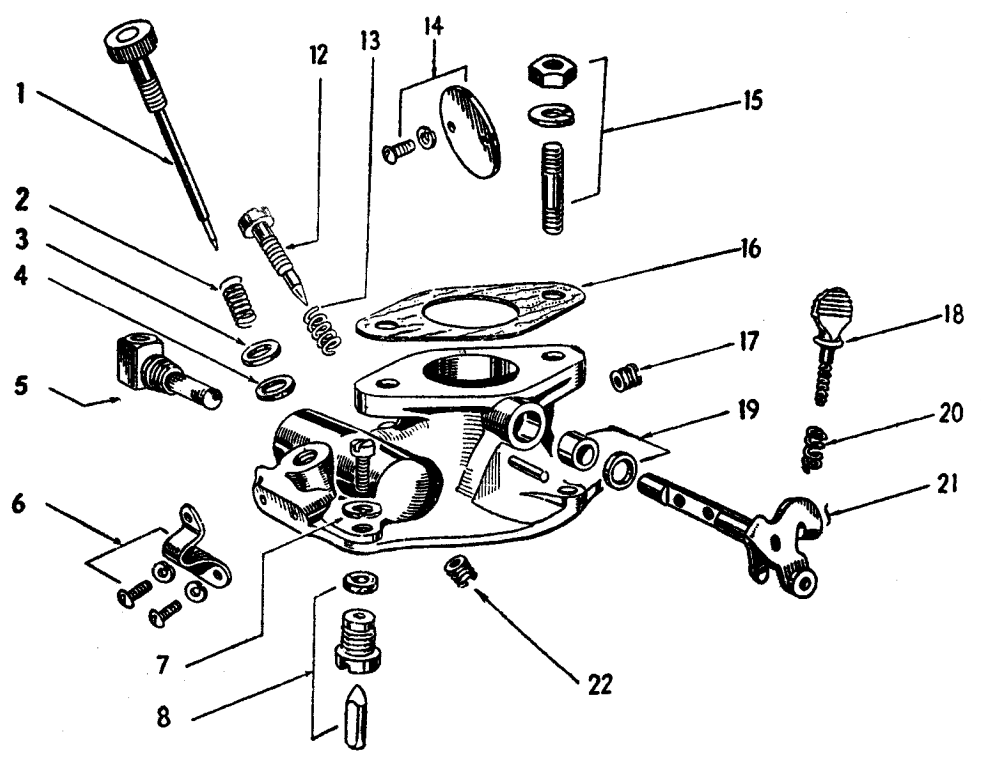


FIG. 40

SM7UCZ

**"20" TRACTOR PARTS LIST**

Ref. No.	Part No.	Description	No. off TE-20	Remarks
		<b>FIG. 41. AIR CLEANER AND RELATED PARTS</b>		
1	7158	<b>Air Cleaner Assembly—A.C. Sphinx (Short Type)</b> ... ..	1	
	7115	<b>Air Cleaner Assembly—A.C. Sphinx (Long Type)</b> Includes items 2 through 6 ... ..	1	
2	1807	<b>Nut—Wing</b> ... ..	1	
3	4260	<b>Cover—Filter</b> ... ..	1	
4	4274	<b>Body and Filter Element with Decal (Short)</b> (Use with 7158) ... ..	1	
	4259	<b>Body and Filter Element with Decal (Long)</b> (Use with 7115) ... ..	1	
5	825 598 M1	<b>Clamp—Oil Container</b> ... ..	1	
6	4261	<b>Container—Oil (with Plate)</b> ... ..	1	
7	1332	<b>Clip—Air Cleaner Hose</b> ... ..	4	
8	1326	<b>Hose—Air Cleaner</b> ... ..	2	
9	7101	<b>Pipe—Air Cleaner to Carburettor</b> ... ..	1	
10	7161	<b>Air Cleaner Assembly—Burgess (Short Type)</b>	1	
	7137	<b>Air Cleaner Assembly—Burgess (Long Type)</b> Comprising items 11 through 14.	1	
11	1877	<b>Screw—Set—Cover and Filter</b> ... ..	1	
12	4277	<b>Cover—Filter (Use with 7161)</b> ... ..	1	
	4264	<b>Cover—Filter (Use with 7137)</b> ... ..	1	
13	4276	<b>Body and Filter Element with Decal (Short)</b> (Use with 7161) ... ..	1	
	4263	<b>Body and Filter Element with Decal (Long)</b> (Use with 7137) ... ..	1	
14	4265	<b>Container—Oil (with Clamps and Plate)</b> ... ..	1	

SM7UCZ

**“20” TRACTOR PARTS LIST**

Part No.	Quantity Required	Description	Corresponding TE.A. 20 Part No. (Ref. only)
<b>FIG. 42. MISCELLANEOUS NON-INTERCHANGEABLE PARTS FOR THE TE.20 TRACTOR.</b>			
<b>DISTRIBUTOR ASSEMBLY</b>			
*40084	1	Distributor Assembly ... ..	*40146
1291	1	Gear—Distributor Drive ... ..	
1296	1	Pin—Distributor Drive Gear... ..	
<b>FRONT AXLE SUPPORT AND PIN</b>			
8559	1	Support Assembly—Front Axle ... ..	8703
4089	1	Pin—Front Axle Support ... ..	1569
1351	2	Strut—Front Axle Support ... ..	
1352	2	Flange—Front Axle Support ... ..	
353 429 X1	2	Nut—Lock ... ..	
353 699 X1	4	Screw—Set—Flange to Trans. Case ... ..	
353 432 X1	4	Washer—Lock ... ..	
<b>FUEL FILTER PIPE</b>			
9593	1	Petrol Pipe Assembly ... ..	9594
1813	1	Clip—Petrol Pipe ... ..	1921
<b>DYNAMO ASSEMBLY</b>			
*228469	1	Pulley—Dynamo ... ..	56837
*185187	1	Washer—Dynamo Pulley ... ..	60561
1311	1	Plate Assembly—Attachment ... ..	
<b>MUFFLER ASSEMBLY</b>			
8540	1	Pipe—Inlet—Manifold to Muffler ... ..	8584
1274	2	Clamp—Inlet Pipe to Manifold ... ..	
353 684 X1	2	Bolt—Inlet Pipe Clamp ... ..	
355 565 X1	2	Nut ... ..	
<b>OIL GAUGE</b>			
1335	1	Gauge Assembly ... ..	180 100 M91
7106	1	Tube Assembly—Oil Pressure Gauge ... ..	7152
<b>TRANSMISSION CASE AND RELATED PARTS</b>			
1351	2	Strut ... ..	
1352	2	Flange ... ..	
7098	1	Plate—Cover ... ..	
* These items and their Components serviced by Messrs. J. Lucas Ltd.			

SM7UCZ

**“20” TRACTOR PARTS LIST**

Ref. No.	Part No.	Description	No. off TE-20	Remarks
17	1853	Screw—Idle—Drilling $\frac{1}{4}$ " x 28 ... ..	1	
18	1865	Screw—Throttle Stop ... ..	1	
19	1862	Retainer—Throttle Shaft Packing ... ..	1	
	1866	Packing—Throttle Shaft ... ..	1	
20	1860	Spring—Throttle Stop Screw ... ..	1	
21	1856	Shaft and Lever Assembly—Throttle ... ..	1	
22	1863	Jet—Idle—Flow 99—103 c.c. ... ..	1	
23	1858	Venturi— $\frac{7}{8}$ " dia. Throat ... ..	1	
24	1836	Gasket—Throttle Body to Bowl ... ..	1	
25	1837	Nozzle—Carburettor—Main ... ..	1	
26	1864	Gasket—Main Nozzle ... ..	1	
27	1838	Jet—Power ... ..	1	
28	1854	Screw and Lockwasher—Choke Fly Assembly	2	
	1844	Fly—Choke Assembly ... ..	1	
29	1840	Spring—Choke Return ... ..	1	
30	1871	Plug—Bowl Drain ... ..	1	
31	1843	Shaft and Lever Assembly—Choke ... ..	1	
	1861	Cup—Throttle Shaft ... ..	1	
	1867	Packing—Choke Shaft ... ..	1	
	1870	Retainer—Packing—Choker Shaft	} Not Illustrated ... ..	1
	1872	Gaskets—Service Kit ... ..		1

SM7UCZ

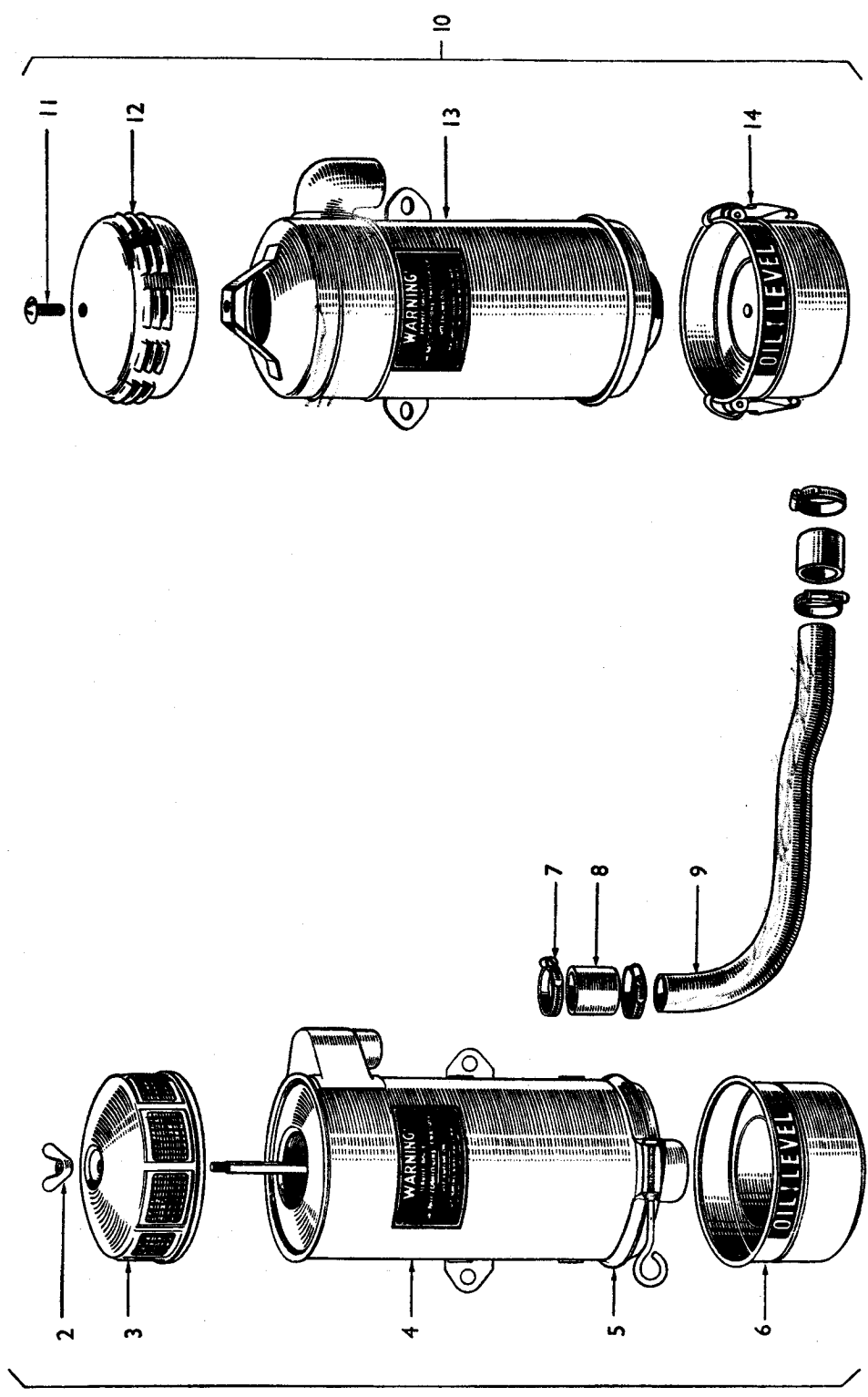


FIG. 41

SM7UCZ

**“20” TRACTOR PARTS LIST**

Part No.	Quantity Required	Description	Corresponding TE. A. 20 Part No. (Ref. only)
<b>RADIATOR</b>			
9589	1	<b>Radiator Assembly</b> ... ..	9583
8555	1	<b>Cowl—Radiator</b> ... ..	9582
1782	1	<b>Rod—Radiator—Tie</b> ... ..	1567
1337	1	<b>Hose—Radiator—Top</b> ... ..	1568
7102	1	<b>Hose—Radiator—Bottom</b> ... ..	7126
<b>THROTTLE CONTROLS</b>			
2199	1	<b>Spring—Throttle Control Plunger</b> ... ..	1391
1446	1	<b>Lever—Control</b> ... ..	1610
1365	1	<b>Spring—Governor Compensator</b> ... ..	1797
1375	1	<b>Rod—Arm—Governor Lever</b> ... ..	825 008 M1
2113	1	<b>Rod Assembly—Throttle Control</b> ... ..	2112
4169	1	<b>Rod—Choke Control Assembly</b> ... ..	4435
4242	1	<b>Lever Assembly—Governor</b> ... ..	57088
1480	1	<b>Rod—Tie—Throttle Control</b> ... ..	58061
1479	1	<b>End—Fork—Throttle Control Rod</b> ... ..	825 212 M1
812 158 M1	1	<b>Pin—Clevis—Fork End</b> ... ..	354 187 X1
<b>IGNITION COIL</b>			
1420	1	<b>Bracket—Ignition Coil</b> ... ..	
1397 } 2119 }	1	<b>Spanner—Plug—Tube</b> ... ..	825 799 M1

SM7UCZ





**"20" TRACTOR PARTS LIST**

Ref. No.	Part No.	Description	No. off 20C Diesel	Remarks
		<b>FIG. 43. CYLINDER BLOCK WITH CRANKSHAFT, FLYWHEEL AND RELATED PARTS</b>		
	502427	<b>Engine Unit Assembly—Complete</b> ... ..	1	
	501840	<b>Engine Unit Assembly—Less:—</b> ... .. Flywheel, Breather Filter, Water Pump and Water Outlet Elbow, Electrics, Manifolds, Venturi, Fuel Pump, Injector Assemblies, Connecting Tube and Decompression Shaft and Levers	1	
1	501838	<b>Cylinder Block Assembly—</b> comprising items 2, 3, 42, 43, 44, 45, 46, 47, 48 all items under "Not Illustrated" and item 29 of Fig. 44 ...	1	
2	825 102 M1	<b>Core Plug—</b> $1\frac{3}{4}$ " Dia. (2 off up to Engine SA.54718E)	5	
3	DP0510	<b>Dowel—</b> $\frac{5}{8}$ " x .62" ... ..	2	
4	826 012 M1	<b>Joint Washer—</b> Front Bearing Housing to Block	1	
5	826 010 M1	<b>Screw—Socket—</b> Front Bearing Housing... ..	2	
	826 011 M1	<b>Washer—Spring</b> ... ..	2	
	103492	<b>Washer—Plain</b> (use with Alum Alloy Brg. Hsg.)	2	
6	105186	<b>Stud—Chain Lubricating</b> ... ..	1	
	355 565 X1	<b>Nut—Hex</b> ... ..	1	
	825 104 M1	<b>Packing—Lead</b> ... ..	A.R.	
7	102216	<b>Front Bearing Housing Assembly—</b> Includes items 5 and 19 (Use 107882) ... ..		Up to Eng. SA.6153E
	107882	<b>Front Bearing Housing Assembly</b> ... ..	1	Eng. SA.6154E and Future.
	825 304 M1	<b>Dowel Bush</b> (Not Illustrated) ... ..	2	Up to Eng. SA54718E
	826 008 M1	<b>Dowel Bush</b> (Not illustrated) ... ..	2	Eng. SA54719E and Future
8	826 023 M1	<b>Main Bearing—Front</b> ... ..	1	
	826 024 M1	<b>Main Bearing—Front</b> (.010" Undersize) ... ..	A.R.	
	826 025 M1	<b>Main Bearing—Front</b> (.020" Undersize) ... ..	A.R.	
	826 026 M1	<b>Main Bearing—Front</b> (.030" Undersize) ... ..	A.R.	
	826 027 M1	<b>Main Bearing—Front</b> (.040" Undersize) ... ..	A.R.	
	109935	<b>Main Bearing—Front</b> ... ..	1	
	109935/1	<b>Main Bearing—Front</b> (.010" Undersize) ... ..	A.R.	
	109935/2	<b>Main Bearing—Front</b> (.020" Undersize) ... ..	A.R.	
	109935/3	<b>Main Bearing—Front</b> (.030" Undersize) ... ..	A.R.	
	109935/4	<b>Main Bearing—Front</b> (.040" Undersize) ... ..	A.R.	
9	2951X	<b>Key—Woodruff—Chain Wheel and Pulley</b> ... ..	2	
	2957X	<b>Key—Woodruff—Oil Pump Gear</b> ... ..	1	
10	58273	<b>Crankshaft</b> (use 302205, 107882 and 826 018 M91	1	Up to Eng. SA.6153E
	302205	<b>Crankshaft</b> ... ..	1	Eng. SA.6154E and Future

SM7UCZ

**“20” TRACTOR PARTS LIST**

Ref. No.	Part No.	Description	No. off 20C Diesel	Remarks
11	353 678 X1 353 446 X1	<b>Bolt</b> —Hex. ... .. <b>Washer</b> —Lock ... ..	6 6	
12	826 062 M1	<b>Driving Gear</b> —Driven ... ..	1	
13	13 104 X	<b>Pin</b> —Mills ... ..	1	
14	827 615 M91	<b>Oil Pump Shaft and Rotor Assembly</b> —includes item 18 ... ..	1	
15	826 064 M1 353 679 X1 353 684 X1 353 446 X1	<b>Bolt</b> — $\frac{5}{16}$ " NC. x 1.31" ... .. <b>Bolt</b> —Hex. ... .. <b>Bolt</b> —Hex. ... .. <b>Washer</b> —Lock ... ..	1 1 2 4	
16	826 057 M91 826 009 M1	<b>Oil Pump Body Assembly</b> , includes :— ... .. <b>Oil Pump Body</b> —Not serviced separately ... .. <b>Bush</b> ... ..	1 1 1	
17	826 063 M1	<b>Gasket</b> ... ..	1	
18		<b>Rotor</b> —Outer—Not serviced. Order 827 615 M91	1	
19	826 009 M1	<b>Front Bearing Housing</b> —Lower—Not serviced separately. See Item 7 <b>Bush</b> (Not illustrated) ... ..	1	
20	826 016 M1 WQO311	<b>Bolt</b> —Centre Bearing Housing ... .. <b>Washer</b> —Lock—Special ... ..	1 1	
21	826 013 M91 825 304 M1 826 008 M1	<b>Centre Bearing Housing Assembly</b> , includes Items 23, 24 and :— ... .. <b>Centre Bearing Housing</b> —Lower—Not serviced separately. <b>Bush</b> (Not illustrated) ... .. <b>Bush</b> (Not illustrated) ... ..	1 2 2	Up to Engine SA.54718E Engine SA.54719E and Future
22	826 028 M1 826 029 M1 826 030 M1 826 031 M1 826 032 M1 109936 109936/1 109936/2 109936/3 109936/4	<b>Main Bearing</b> —Centre } <b>Main Bearing</b> —Centre (.010" Undersize) } Bottom <b>Main Bearing</b> —Centre (.020" Undersize) } <b>Main Bearing</b> —Centre (.030" Undersize) } <b>Main Bearing</b> —Centre (.040" Undersize) } <b>Main Bearing</b> —Centre } <b>Main Bearing</b> —Centre (.010" Undersize) } Top <b>Main Bearing</b> —Centre (.020" Undersize) } <b>Main Bearing</b> —Centre (.030" Undersize) } <b>Main Bearing</b> —Centre (.040" Undersize) }	1 A.R. A.R. A.R. A.R. 1 A.R. A.R. A.R. A.R.	
23		<b>Centre Bearing Housing</b> —Upper—Not serviced separately. See Item 21.		
24	826 010 M1 826 011 M1 103492	<b>Screw</b> —Socket—Centre Bearing Housing ... .. <b>Washer</b> —Spring ... .. <b>Washer</b> —Plain (Use with Alum. Alloy Brg. Hsg.)	2 2 2	

SM7UCZ

**"20" TRACTOR PARTS LIST**

Ref. No.	Part No.	Description	No. off 20C Diesel	Remarks
25	826 010 M1 826 011 M1 103492	<b>Screw—Socket—Rear Bearing Housing</b> ... <b>Washer—Spring</b> ... .. <b>Washer—Plain (use with Alum. Alloy Brg. Hsg.)</b>	2 2 2	
26	104051 826 018 M91	<b>Rear Bearing Housing Assembly</b> ... .. <b>Rear Bearing Housing Assembly</b> ... .. Each includes items 25, 30 and :— <b>Rear Bearing Housing—Upper—Not serviced separately</b>	1 1	Up to Engine SA6153E Engine SA6154E and Future
	825 304 M1 826 008 M1	<b>Bush (Not illustrated)</b> ... .. <b>Bush (Not illustrated)</b> ... ..	2 2	Up to Engine SA54718E Engine SA54719 and Future
27	826 023 M1 826 024 M1 826 025 M1 826 026 M1 826 027 M1 109935 109935/1 109935/2 109935/3 109935/4	<b>Main Bearing—Rear</b> } ... <b>Main Bearing—Rear (.010" Undersize)</b> } ... <b>Main Bearing—Rear (.020" Undersize)</b> } Bottom ... <b>Main Bearing—Rear (.030" Undersize)</b> } ... <b>Main Bearing—Rear (.040" Undersize)</b> } ... <b>Main Bearing—Rear</b> } ... <b>Main Bearing—Rear (.010" Undersize)</b> } Top ... <b>Main Bearing—Rear (.020" Undersize)</b> } ... <b>Main Bearing—Rear (.030" Undersize)</b> } ... <b>Main Bearing—Rear (.040" Undersize)</b> } ...	1 A.R. A.R. A.R. A.R. 1 A.R. A.R. A.R. A.R.	
28	59421 826 035 M1	<b>Washer—Thrust—Top</b> ... .. <b>Washer—Thrust—Top (.005" Oversize)</b> ...	2 A.R.	
29	60055 826 036 M1	<b>Washer—Thrust—Bottom</b> ... .. <b>Washer—Thrust—Bottom (.005" Oversize)</b> ...	2 A.R.	
30		<b>Rear Bearing Housing—Lower—Not serviced separately. See Item 26</b>		
31	195 174 M1	<b>Bearing—Clutch Pilot</b> ... ..	1	
32	826 051 M1	<b>Dowel—<math>\frac{3}{8}</math>" Dia. x .625"</b> ... ..	1	
33	200868	<b>Ring Gear—Flywheel</b> ... ..	1	
34	200457	<b>Flywheel</b> ... ..	1	
35	826 053 M1	<b>Tab Washer—Flywheel Attachment</b> ... ..	3	
36	826 052 M1	<b>Screw—Set—Flywheel Attachment</b> ... ..	6	
37	353 682 X1 353 446 X1	<b>Screw—Set—C'I Seal Cover Attachment</b> ... .. <b>Washer—Lock</b> ... ..	8 8	
38	826 045 M1	<b>Cover—Rear Oil Seal</b> ... ..	1	
39	826 046 M1	<b>Seal—Oil</b> ... ..	1	
40	826 047 M1	<b>Gasket—Oil Seal Cover to Block...</b> ... ..	1	
41	826 022 M1	<b>Gasket—Rear Bearing Housing to Block</b> ... ..	1	

SM7UCZ

**"20" TRACTOR PARTS LIST**

Ref. No.	Part No.	Description	No. off 20C Diesel	Remarks
42	826 003 M1 825 484 M1	<b>Screw—Union—Oil Pressure Gauge</b> ... .. <b>Washer—Copper</b> ... ..	1 2	
43	104103	<b>Stud—<math>\frac{7}{16}</math>" NC and NF x 2.38"</b> ... ..	1	
44	826 000 M1 825 484 M1	<b>Screw—Set—Main Oil Gallery</b> ... .. <b>Washer—Copper</b> ... ..	2 2	
45	101022 826 161 M1	<b>Screw—Set—Camshaft Oil Drilling</b> ... .. <b>Washer—Copper</b> ... ..	2 2	
46	100962	<b>Stud—Injector Pump Attachment</b> ... ..	3	
47	825 114 M1	<b>Plug—Core</b> ... ..	3	
48	826 006 M1 826 001 M1	<b>Plug—Feed</b> ... .. <b>Washer</b> ... ..	2 2	

SM7UCZ

**“20” TRACTOR PARTS LIST**

Ref. No.	Part No.	Description	No. Off	Remarks	
<b>NOT ILLUSTRATED</b>					
	825 302 M1	<b>Dowel</b> — $\frac{3}{8}$ " $\times$ $\frac{3}{4}$ "—Rear Face of Block ... ..	2	Up to Engine SA.16357E Engine SA.16358E to SA.53285E	
	825 190 M1	<b>Core Plug</b> — $\frac{3}{4}$ " N.F. $\times$ .44"—Oil Gallery Ends ...	2		
	58845	<b>Core Plug</b> — $\frac{1}{8}$ "—Camshaft Rear End ... ..	1		
	826 021 M1	<b>Rubber Dowel</b> —Oil Plug—Rear Bearing Housing	2		
	26435	<b>Core Plug</b> — $\frac{1}{2}$ "—R.H. Side of Block ... ..	3		
	825 188 M1	<b>Core Plug</b> — $\frac{1}{4}$ "—R.H. Side of Block ... ..	3		
	825 998 M1	<b>Stud</b> —Fuel Pump Mounting ... ..	2		} Engine SA41923E and Future.
	353 916 X1	<b>Nut</b> —Hex. ... ..	2		
	353 446 X1	<b>Washer</b> —Lock ... ..	2		
	826 155 M1	<b>Gasket</b> —Blanking Plate of Pump to Block ...	1		
	108856	<b>Plate</b> —Blanking (When Feed Pump not Req'd.)	1		

SM7UCZ

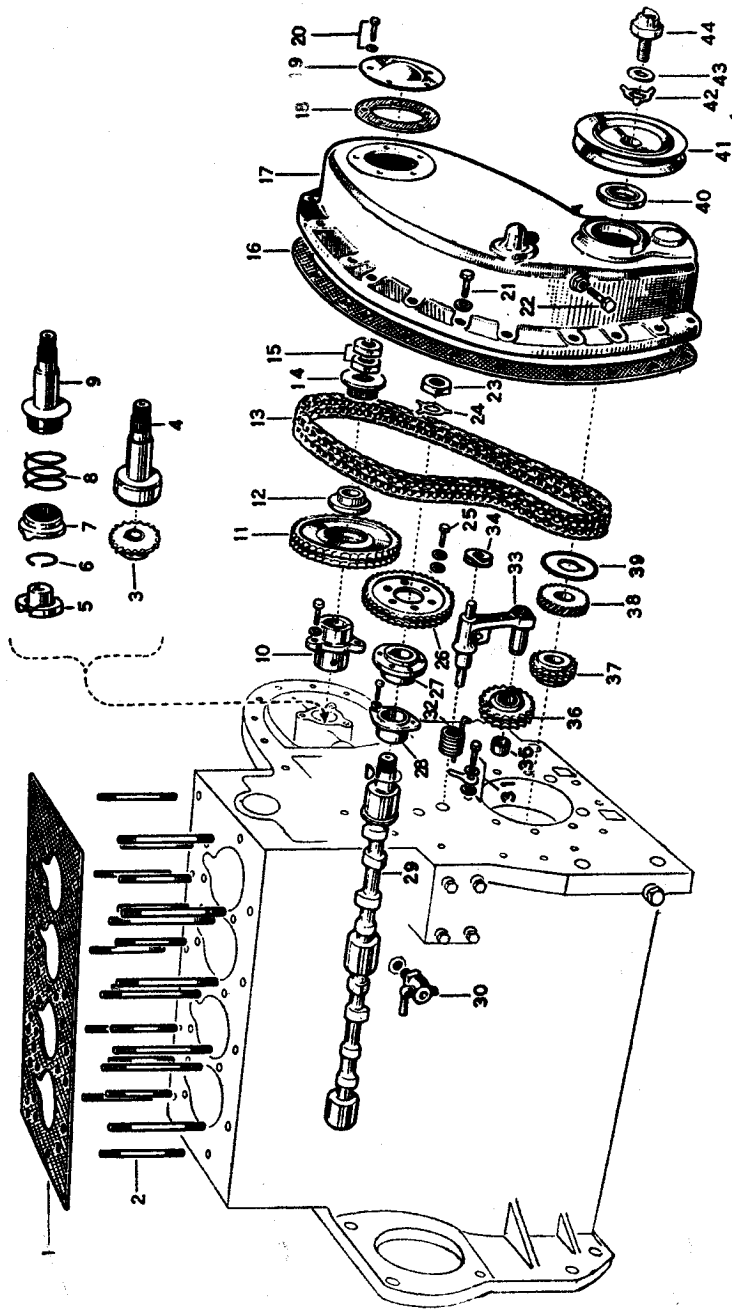


FIG. 44

Ref. No.	Part No.	Description	No. Off 20C Diesel	Remarks
		<b>FIG. 44. CAMSHAFT, TIMING GEARS AND COVER.</b>		
1	61153	Gasket—Cylinder Head ... ..	1	
2	61375	Stud— $\frac{7}{8}$ " x 4.28"—Cylinder Head Attaching...	8	
	61374	Stud— $\frac{7}{8}$ " x 4.91"—Cylinder Head Attaching...	14	
	353 757 X1	Washer—Flat ... ..	22	
	103810	Nut—Hexagon } Alternatives ... ..	22	
	113078	Nut—Hexagon }	22	
3	61449	Dog—Drive ... ..	1	} Up to Engine SA.5221E.
	105113	Dog—Drive (use with 300964 Pump only) ...	1	
4	61451	Shaft—Drive ... ..	1	
5	104611	Coupling—Driven ... ..	1	
	105187	Coupling—Driven—(Use with 300964 Pump only)	1	} Engine SA.5222E and Future.
6	104612	Ring—Retainer ... ..	1	
7	201276	Coupling—Drive ... ..	1	
8	104649	Spring—Drive Shaft ... ..	1	
9	201277	Shaft—Drive ... ..	1	
10	61391	Housing—Bearing ... ..	1	
	353 678 X1	Screw—Set—Housing to Block ... ..	3	
	353 446 X1	Washer—Lock ... ..	3	
11	61437	Wheel—Chain—Pump Drive ... ..	1	
12	61438	Bush—Locating ... ..	1	
13	61471	Chain—Duplex ... ..	1	
14	61439	Bush—Drive ... ..	1	
15	61463	Lock Nut ... ..	2	
16	61378	Gasket—Timing Cover ... ..	1	
17	301579	Cover—Timing ... ..	1	
18	60309	Gasket—Inspection Cover... ..	1	
19	61869	Cover—Inspection ... ..	1	
20	353 676 X1	Screw—Set—Inspection Cover Attaching ...	5	
	353 446 X1	Washer—Lock ... ..	5	
21	353 678 X1	Screw—Set—Timing Cover Attaching ... ..	16	
	353 446 X1	Washer—Lock ... ..	20	
	354 615 X1	Screw—Set ... ..	4	
22	38CSSH275B	Screw—Set—Jockey Wheel Adjusting ... ..	1	
	SM7U 375 109 X1	Nut—Hex.—Jam ... ..	1	



**“20” TRACTOR PARTS LIST**

Ref. No.	Part No.	Description	No. Off 20C Diesel	Remarks
23	826 093 M1	<b>Lock Nut</b> —Camshaft Chain Wheel ... ..	1	
24	826 092 M1	<b>Washer</b> —Locking ... ..	1	
25	826 091 M1	<b>Screw</b> —Set—Chain Wheel to Centre ... ..	6	
	353 446 X1	<b>Washer</b> —Lock ... ..	6	
	353 755 X1	<b>Washer</b> —Flat ... ..	6	
26	826 089 M1	<b>Wheel</b> —Chain—Camshaft ... ..	1	
27	826 090 M1	<b>Centre</b> —Camshaft Chain Wheel ... ..	1	
28	59094	<b>Bearing</b> —Camshaft Front ... ..	1	
	353 677 X1	<b>Screw</b> —Set—Bearing to Block ... ..	1	
	353 446 X1	<b>Washer</b> —Lock ... ..	2	
	825 992 M1	<b>Bolt</b> —Special ... ..	1	
29	301421	<b>Camshaft</b> ... ..	1	
	2951X	<b>Key</b> —Woodruff—Chain Wheel to Camshaft ... ..	1	
30	825 326 M1	<b>Tap</b> —Drain ... ..	1	
	825 291 M1	<b>Washer</b> —Fibre ... ..	1	
31		No Longer Serviced		
32	105423	<b>Spring</b> —Carrier Return ... ..	1	
33	101349	<b>Carrier Assembly</b> —Jockey Wheel ... ..	1	
34	61466	<b>Washer</b> —Spring ... ..	1	

SM7UCZ

**“20” TRACTOR PARTS LIST**

Ref. No.	Part No.	Description	No. off 20C Diesel	Remarks
35	61453	Bush—Jockey Chain Wheel ... ..	1	
36	61399	Wheel Assembly—Jockey Chain—including Bush ... ..	1	
37	826 041 M1	Chain Wheel—Crankshaft—Duplex ... ..	1	
38	59227	Gear—Oil Pump Drive (use 826 062 M1 and 826 039 M1)		
	826 039 M1	Gear—Oil Pump Drive ... ..	1	
39	825 200 M1	Deflector—Oil ... ..	1	
40	825 740 M1	Seal—Oil—Crankshaft ... ..	1	
41	826 044 M1	Pulley—Crankshaft ... ..	1	
	825 177 M1	Shim—.004" ... ..	A.R.	
	825 178 M1	Shim—.006" ... ..	A.R.	
42	825 185 M1	Washer—Tab ... ..	1	
43	825 103 M1	Shim—Starter Jaw ... ..	A.R.	
44	101914	Jaw—Starter... ..	1	
		<b>NOT ILLUSTRATED.</b>		
	115425	Damper—Timing Chain ... ..	A.R.	

SM7UCZ

Req. 0417/12505

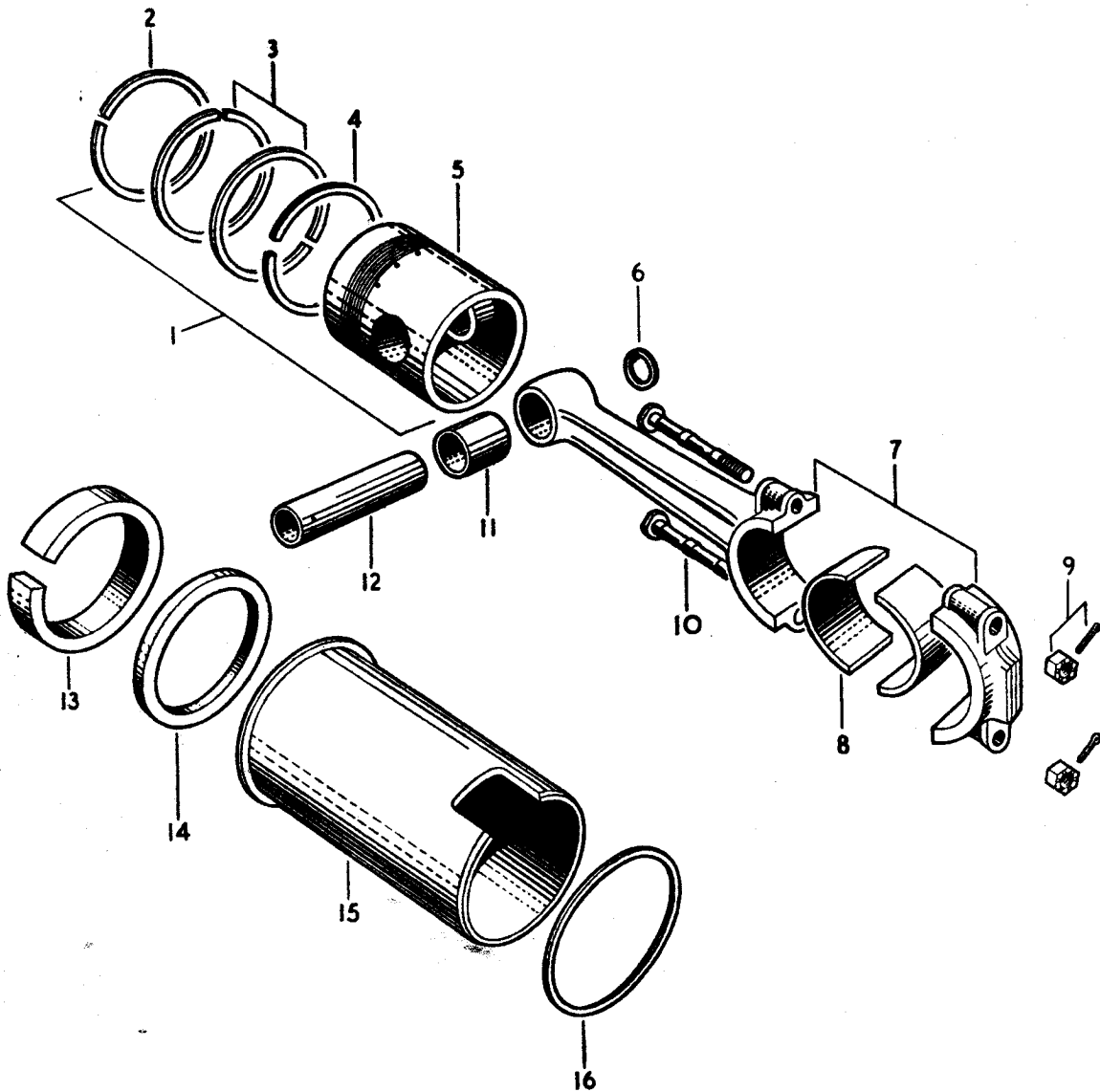


FIG. 45

SM7UCZ

**“20” TRACTOR PARTS LIST**

Ref. No.	Part No.	Description	No. Off 20C Diesel	Remarks
<b>FIG. 45. PISTON ASSEMBLY.</b>				
1	*115741	<b>Piston Assembly</b> ... .. Includes items 2 through 6 and 12.	4	
2	108643	<b>Ring—Top Compression—Parallel—Chromium Plated</b> ... ..	4	
	108643/1	<b>Ring—Top Compression—.010" oversize</b> ...	A.R.	
3	108644	<b>Ring—2nd and 3rd—Tapered</b> ... ..	8	
	108644/1	<b>Ring—2nd and 3rd—.010" oversize</b> ... ..	A.R.	
4	101810	<b>Ring—4th—Slotted Scraper</b> ... ..	4	
	101810/1	<b>Ring—4th—.010" oversize</b> ... ..	A.R.	
5		<b>Piston—Bare</b> } Not serviced <b>Piston—Bare</b> } separately.		
6	500253	<b>Circlip—Gudgeon Pin Retaining</b> ... ..	8	
7	202743	<b>Connecting Rod Assembly—includes items 9 through 11</b> ... ..	4	
8	58762	<b>Bearing—Connecting Rod</b> ... ..	4	
	58762/1	<b>Bearing—.010" undersize</b> ... ..	A.R.	
	58762/2	<b>Bearing—.020" undersize</b> ... ..	A.R.	
	58762/3	<b>Bearing—.030" undersize</b> ... ..	A.R.	
	58762/4	<b>Bearing—.040" undersize</b> ... ..	A.R.	
	58762/6	<b>Bearing—.060" undersize</b> ... ..	A.R.	
	109948	<b>Bearing—Connecting Rod</b> ... ..	4	
	109948/1	<b>Bearing—.010" undersize</b> ... ..	A.R.	
	109948/2	<b>Bearing—.020" undersize</b> ... ..	A.R.	
	109948/3	<b>Bearing—.030" undersize</b> ... ..	A.R.	
	109948/4	<b>Bearing—.040" undersize</b> ... ..	A.R.	
	109948/6	<b>Bearing—.060" undersize</b> ... ..	A.R.	
9	58761	<b>Nut—Slotted</b> ... ..	8	
	354 049 X1	<b>Pin—Cotter</b> ... ..	8	
10	58760	<b>Bolt—Connecting Rod</b> ... ..	8	
11	58763	<b>Bush—Little End</b> ... ..	4	
12	105317	<b>Pin—Gudgeon</b> ... ..	4	
13	103658	<b>Insert—Cylinder Upper</b> ... ..	4	Up to Eng. SA23082E
	107754	<b>Insert—Cylinder Upper</b> ... ..	4	Eng. SA23083E and
	DP.0304	<b>Dowel—Not illustrated</b> ... ..	4	Future
14	103657	<b>Insert—Cylinder Lower</b> ... ..	4	
15	101353	<b>Liner—Cylinder</b> ... ..	4	Up to Eng. SA23082E
	*106594	<b>Liner—Cylinder</b> ... ..	4	Eng. SA23083E and
				Future.
16	61148	<b>Gasket—Cylinder Liner</b> ... ..	4	
* Available in Grades F, G and H.				
<b>NOT ILLUSTRATED</b>				
	505024	<b>Piston and Liner Set (up to Eng. SA 23082E)</b> ...	A.R.	
	505025	<b>Piston and Liner Set (from Eng. SA 23083E)</b> ...	A.R.	
		each includes 4 Pistons and 4 Liners)		
SM7UCZ				

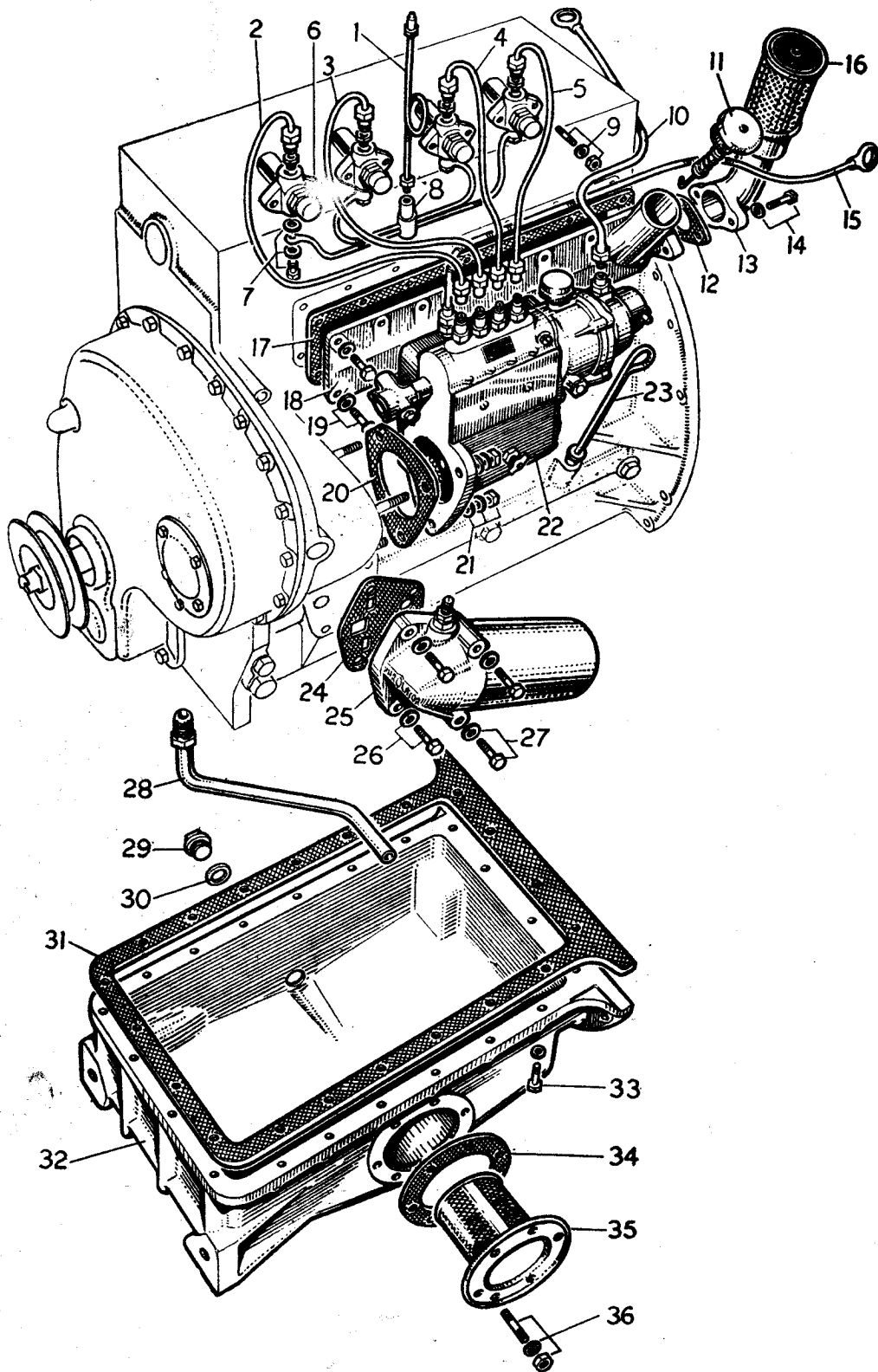


FIG. 46

SM7UCZ

**“20” TRACTOR PARTS LIST**

Ref. No.	Part No.	Description	No. off 20C Diesel	Remarks
<b>FIG. 46. OIL SUMP, INJECTOR PUMP AND RELATED PARTS.</b>				
1	102826	Fuel Return Pipe Assembly ... ..	1	
2	102054	Injector Pipe Assembly—No. 1 ... ..	1	
3	102053	Injector Pipe Assembly—No. 2 ... ..	1	
4	102052	Injector Pipe Assembly—No. 3 ... ..	1	
5	102051	Injector Pipe Assembly—No. 4 ... ..	1	
6		Injector Assembly. (Not Serviced). Includes:—		
	*BKB50S 679	Nozzle Holder—Injector—Includes Item 7 ...	4	
	*BDN.4S.1	Nozzle—Injector ... ..	4	
	*5339/423	Washer ... ..	A.R.	
7	*7008/188	Union Screw } See Item 6 ... ..	4	} 3 off } Engine } 9 off } SA.41923E and Future.
	*5339/543	Washer ... ..	8	
	*7008/420	Union Screw—De-aeration Pipe to Injector ...	1	
8	61461	Pipe Assembly—Leak off ... ..	1	
9	100961	Stud—Injector to Cylinder Head ... ..	8	
	353 446 X1	Washer—Lock ... ..	8	
	353 916 X1	Nut—Hex. ... ..	8	
10	200653	Pipe Assembly—Venturi to Fuel Pump ...	1	} Engine } SA.2633E and } Future.
	103581	Clip—Pipe to Cylinder Block ... ..	1	
	353 446 X1	Washer—Lock ... ..	1	
	353 916 X1	Nut—Hex. ... ..	1	
11	825 398 M91	Cap Assembly—Oil Filler ... ..	1	
	102318	Pin—Locating (Not illustrated) ... ..	1	
12	102628	Gasket—Breather Adaptor to Tappet Cover ...	1	
13	102568	Adaptor—Breather ... ..	1	
14	353 678 X1	Screw—Set—Adaptor to Tappet Cover ...	2	
	353 446 X1	Washer—Lock ... ..	2	
* These Items and their Components serviced by Messrs. C.A.V. Ltd.				

SM7UCZ

**“20” TRACTOR PARTS LIST**

Ref. No.	Part No.	Description	No. off 20C Diesel	Remarks	
15	102264	<b>Fuel Pipe Assembly—Filter to Pump</b> ... ..	1	Up to Engine SA.1421E  Engine SA.1422E and Future.	
	103855	<b>Fuel Pipe Assembly—Rigid Half</b> ... ..	1		
	105185	<b>Fuel Pipe Assembly—Rigid (use with 300964 Pump)</b> ... ..	1		
	102279	<b>Fuel Pipe Assembly—Flexible Half</b> ... ..	1		
	500811	<b>Clip—Fuel Pipe</b> ... ..	1		
	103561	<b>Bracket—Fuel Pipe Support</b> ... ..	1		
16	826 116 M91 500875	<b>Breather Filter Assembly. Includes :—</b> <b>Insert Assembly—Breather</b> ... ..	1 1		
17	61229	<b>Gasket—Tappet Cover to Cylinder Block</b> ... ..	1		
18	200710	<b>Oil Filler and Tappet Cover</b> ... ..	1		
19	353 679 X1 354 617 X1 353 678 X1 353 446 X1	<b>Screw—Set—Tappet Cover to Block</b> ... .. <b>Screw—Set—Tappet Cover to Block</b> ... .. <b>Screw—Set—Tappet Cover to Block</b> ... .. <b>Washer—Lock</b> ... ..	12 1 2 15		
20	61459	<b>Gasket—Injector Pump to Block</b> ... ..	1		
21	WM0075 353 434 X1 353 431 X1	<b>Washer—Injector Pump Attachment</b> ... .. <b>Washer—Lock</b> ... .. <b>Nut—Hex.</b> ... ..	3 3 3		
22	*300342 *300781 *302444 *300964	<b>Fuel Pump Assembly—Injector—C.A.V. Model</b> No. BPE4A60Q120S6200EL ... .. <b>Fuel Pump Assembly—Injector—C.A.V. Model</b> No. BPE4A60Q120S6200EL ... .. <b>Fuel Pump Assembly—Injector—C.A.V. Model</b> No. BPE4A60S6402EL ... .. <b>Fuel Pump Assembly—Injector—C.A.V. Model</b> No. BPE4A60Q320/3S6293EL ... ..	1 1 1 1	Up to Engine SA.1421E. Engine SA.1422E to SA.4625E.  Refer Service Mod. No. Trac/B3 for Usage.	
23	826 149 M91 825 105 M1	<b>Dipstick</b> ... .. <b>Washer—Felt</b> ... ..	1 1		
* These Items and their Components serviced by Messrs. C.A.V. Ltd.					
SM7UCZ					

**“20” TRACTOR PARTS LIST**

Ref. No.	Part No.	Description	No. off 20C Diesel	Remarks
24	826 139 M1	<b>Gasket—Oil Filter to Block</b> ... ..	1	
25	826 136 M91	<b>Oil Filter Assembly—Lubricating.</b> See Fig. 49	1	
26	353 692 X1	<b>Screw—Set—Oil Filter to Block</b> (use with 60426)	2	
	353 434 X1	<b>Washer—Lock</b> ... ..	2	
	353 693 X1	<b>Screw—Set—Oil Filter to Block</b> (use with 826 136 M91) ... ..	2	
27	354 633 X1	<b>Screw—Set—Oil Filter to Block</b> ... ..	2	
	353 434 X1	<b>Washer—Lock</b> ... ..	2	
28	59075	<b>Oil Suction Pipe Assembly</b> (use 826 140 M91)	1	Up to Engine SA.181E Engine SA.182E and Future.
	826 140 M91	<b>Oil Suction Pipe and Bracket Assembly</b> ...	1	
	31CSSH50B	<b>Screw—Set—Bracket to Block</b> ... ..	1	
	353 446 X1	<b>Washer—Lock</b> ... ..	1	
	826 146 M1	<b>Nut—Tubing</b> ... ..	1	
	TL0013	<b>Sleeve—Tubing</b> ... ..	1	
29	825 219 M1	<b>Plug—Drain</b> ... ..	1	
30	825 295 M1	<b>Washer—Fibre—Drain Plug</b> ... ..	1	
31	827 601 M1	<b>Gasket—Sump</b> ... ..	1	
32	59072	<b>Sump—Oil</b> ... ..	1	
33	353 678 X1	<b>Screw—Set—Sump Side Attaching</b> ... ..	12	
	354 627 X1	<b>Screw—Set—Sump Front Attaching</b> ... ..	4	
	354 624 X1	<b>Screw—Set—Sump Rear Attaching</b> ... ..	2	
	354 615 X1	<b>Screw—Set—Sump Rear Attaching</b> ... ..	2	
	353 446 X1	<b>Washer—Lock</b> ... ..	20	
34	825 653 M1	<b>Gasket—Oil Filter (Suction)</b> ... ..	1	
35	825 164 M91 or 825 925 M91	<b>Oil Filter (Suction) Assembly</b> ... ..	1	
36	825 324 M1	<b>Stud—Oil Filter to Sump</b> ... ..	6	
	353 446 X1	<b>Washer—Lock</b> ... ..	6	
	353 916 X1	<b>Nut—Hex.</b> ... ..	6	

SM7UCZ



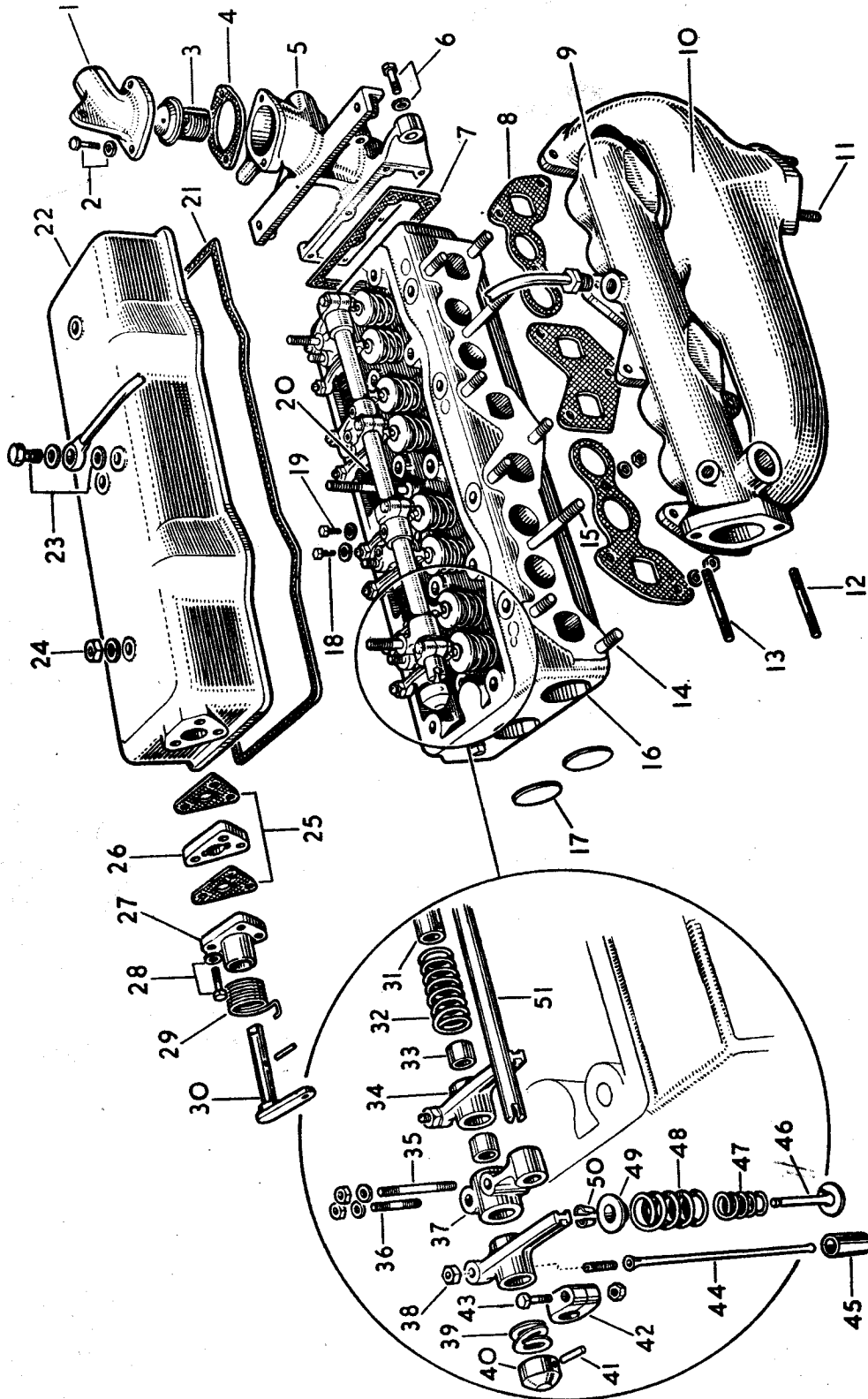


FIG. 47

SM7UCZ

**“20” TRACTOR PARTS LIST**

Ref. No.	Part No.	Description	No. off 20C Diesel	Remarks
		<b>FIG. 47. CYLINDER HEAD AND RELATED PARTS</b>		
	500893	<b>Cylinder Head Assembly—Complete—Includes items 14 Studs only, 15 studs only, 16, 17, 35 Studs only, 36 Studs only, 46 through 50 and all items under “Not Illustrated.”</b> ... ..	1	
1	101696	<b>Elbow—Water Outlet</b> ... ..	1	
2	353 678 X1 353 446 X1	<b>Screw—Set—Elbow to Body</b> ... .. <b>Washer—Lock</b> ... ..	2 2	
3	826 197 M1	<b>Thermostat Unit</b> ... ..	1	
4	825 659 M1	<b>Gasket—Elbow to Body</b> ... ..	1	
5	200480 827 247 M1 827 248 M1 <del>60587</del> 827 618 M1	<b>Body—Thermostat</b> ... .. <b>Plug—Drain (Not Illustrated)</b> ... .. <b>Gasket—Plug (Not Illustrated)</b> ... .. <b>Connection—Bypass Water (Not Illustrated)</b> ... .. <b>Clip—Pipe (Not Illustrated)</b> ... ..	1 1 1 1 2	
6	353 679 X1 353 446 X1	<b>Screw—Set—Body to Cylinder Head</b> ... .. <b>Washer—Lock</b> ... ..	6 6	
7	60583	<b>Gasket—Body to Cylinder Head</b> ... ..	1	
8	61456 826 203 M1	<b>Gasket—Outer—Manifold to Cylinder Head</b> ... .. <b>Gasket—Centre—Manifold to Cylinder Head</b> ... ..	2 1	
9	105205	<b>Manifold—Inlet</b> ... ..	1	
10	826 143 M1	<b>Manifold—Exhaust</b> ... ..	1	
11	825 183 M1	<b>Stud—Exhaust Pipe Attaching</b> ... ..	2	
12	60322	<b>Stud—Venturi Attaching—Lower</b> ... ..	1	
13	103095	<b>Stud—Venturi Attaching—Upper</b> ... ..	1	
14	826 181 M1 825 187 M1 353 434 X1	<b>Stud—Exhaust Manifold Attaching</b> ... .. <b>Nut—Hex.</b> ... .. <b>Washer—Lock</b> ... ..	7 7 7	
15	826 180 M1 825 187 M1 353 434 X1	<b>Stud—Inlet Manifold Attaching</b> ... .. <b>Nut—Hex.</b> ... .. <b>Washer—Lock</b> ... ..	2 2 2	
16	300751	<b>Cylinder Head Assembly—Includes Cylinder Head with Valve Guides, Tubes for Push Rods and Core Plugs only</b> ... ..	1	

SM7UCZ

**“20” TRACTOR PARTS LIST**

Ref. No.	Part No.	Description	No. off 20C Diesel	Remarks
17	825 102 M1	<b>Core Plug—Rear End</b> ... ..	2	
18	353 504 X1 353 441 X1	<b>Screw—Set—Rocker Shaft to Pedestal</b> ... .. <b>Washer—Lock</b> ... ..	1 1	
19	61306 353 441 X1	<b>Pin—Locating—Decompression Shaft</b> ... .. <b>Washer—Lock</b> ... ..	1 1	
20	825 174 M1	<b>Spring—Rocker—Centre</b> ... ..	1	
21	61396	<b>Gasket—Rocker Cover</b> ... ..	1	
22	102775	<b>Cover Assembly—Rocker</b> ... ..	1	
23	61457 825 299 M1 58182 60966 60901 825 414 M1 825 411 M1 825 412 M1 825 413 M1	<b>Connecting Tube Assembly</b> ... .. <b>Washer—Fibre</b> ... .. <b>Union Screw</b> ... .. <b>Washer—Vent Valve</b> ... .. <b>Pin</b> ... .. <b>Distance Piece—Fitted in Manifold</b> ... .. <b>Union Screw</b> ... .. <b>Screw—Breather</b> ... .. <b>Pin—Breather</b> ... ..	1 2 1 1 1 1 1 1 1	} Up to Engine S.A.1925E } Engine SA.1926E and Future.
24	353 916 X1 353 446 X1	<b>Nut—Hex.—Rocker Cover Attaching</b> ... .. <b>Washer—Lock</b> ... ..	3 3	
25	61373	<b>Gasket—Decompression Housing</b> ... ..	2	
26	60484	<b>Plate—Decompression Housing</b> ... ..	1	
27	60483	<b>Housing—Decompression Shaft</b> ... ..	1	
28	353 520 X1 353 446 X1	<b>Screw—Set—Housing Attaching</b> ... .. <b>Washer—Lock</b> ... ..	3 3	
29	101328	<b>Spring—Decompression Shaft Return</b> ... ..	1	
30	60482 500111 60156	<b>Lever Assembly—Decompression Operating</b> ... .. <b>Pin—Mills</b> ... .. <b>Washer—Packing</b> ... ..	1 1 1	
31	111063	<b>Shaft—Rocker</b> ... ..	1	
32	825 129 M1	<b>Spring—Rocker—Inner</b> ... ..	2	
33	825 108 M1	<b>Bush—Rocker</b> ... ..	16	
34	103690	<b>Rocker Assembly—including Bushes</b> ... ..	8	

SM7UCZ

**'20' TRACTOR PARTS LIST**

Ref. No.	Part No.	Description	No. off 20C Diesel	Remarks
35	60158	<b>Stud—Rocker Cover and Pedestal</b> ... ..	3	
	353 916 X1	<b>Nut—Hex.</b> ... ..	2	
	353 446 X1	<b>Washer—Lock</b> ... ..	2	
36	59119	<b>Stud—Rocker Pedestal</b> ... ..	4	
	353 431 X1	<b>Nut—Hex.</b> ... ..	4	
	353 434 X1	<b>Washer—Lock</b> ... ..	4	
37	61366	<b>Pedestal—Rocker—Outer</b> ... ..	2	
	61367	<b>Pedestal—Rocker—Rear Inner</b> ... ..	1	
	61368	<b>Pedestal—Rocker—Front Inner</b> ... ..	1	
38	826 120 M1	<b>Pin—Adjustment—Rocker</b> ... ..	8	
	825 196 M1	<b>Lock Nut</b> ... ..	8	
39	825 110 M1	<b>Spring—Rocker—Outer</b> ... ..	2	
40	825 314 M1	<b>End Collar</b> ... ..	2	
41	354 900 X1	<b>Pin—Mills</b> ... ..	2	
42	101330	<b>Cam—Decompression</b> ... ..	4	
43	353 507 X1	<b>Bolt—Decompression Cam</b> ... ..	4	
	NN2907	<b>Nut—Simmonds</b> ... ..	4	
44	61372	<b>Rod—Valve Push</b> ... ..	8	
45	827 738 M1	<b>Tappet Assembly</b> ... ..	8	
46	101661	<b>Valve—Inlet</b> ... ..	4	
	110926	<b>Valve—Outlet</b> ... ..	4	
47	103369	<b>Spring—Valve—Inner</b> ... ..	8	
48	103368	<b>Spring—Valve—Outer</b> ... ..	8	
49	825 257 M1	<b>Collar—Valve Spring</b> ... ..	8	
50	825 258 M1	<b>Cone—Split</b> ... ..	8 prs.	
51	101329	<b>Shaft—Decompression</b> ... ..	1	
<b>NOT ILLUSTRATED</b>				
	106387	<b>Decarbonising Gasket Set</b> ... ..	A.R.	
	105138	<b>Guide—Inlet Valve</b> ... ..	8	
	102824	<b>Collar—Valve Guide</b> ... ..	8	
	103853	<b>Screw—Set—Rocker Oil Feed</b> ... ..	1	
	826 161 M1	<b>Washer—Set Screw</b> ... ..	1	
	61395	<b>Combustion Chamber—Lower</b> ... ..	4	
	108840	<b>Insert—Inlet Valve</b> ... ..	4	} For Service only.
	108841	<b>Insert—Exhaust Valve</b> ... ..	4	
	503172	<b>" Free " Type Exhaust Valve Set, includes :—</b>	A.R.	
	112467	<b>Valve—Exhaust</b> ... ..	4	
	112468	<b>Collar—Valve Spring</b> ... ..	4	
	826 173 M1	<b>Collar—Split</b> ... ..	4 prs.	
	826 174 M1	<b>Cap—Valve End</b> ... ..	4	
	826 162 M1	<b>Guide—Exhaust Valve</b> ... ..	4	
	113006	<b>Cyl. Head Assembly—(for Exhaust Valve Kit), including 108239</b> ... ..	1	
	114655	<b>Guide—Exhaust Valve</b> ... ..	4	

SM7UCZ

Prior to Engine SA 30864E

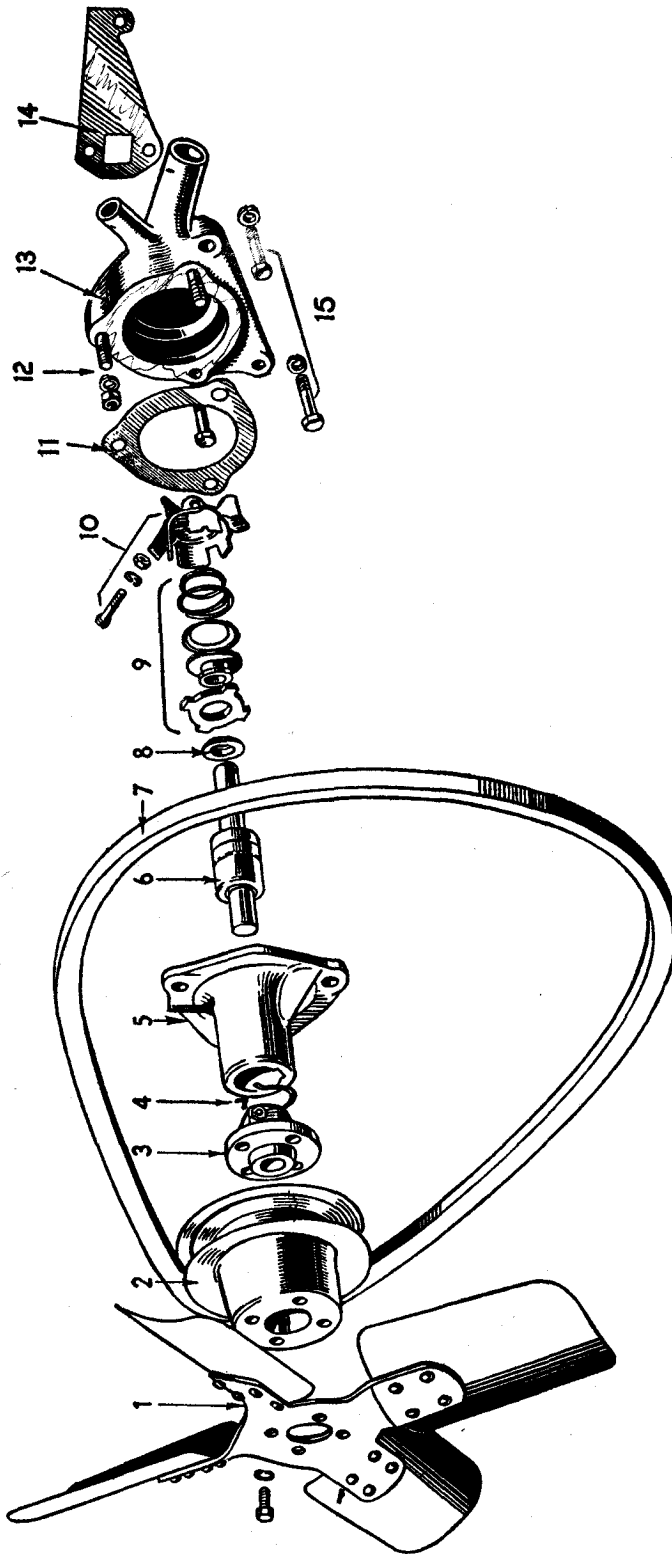


FIG. 48

SM7UCZ

**“20” TRACTOR PARTS LIST**

Ref. No.	Part No.	Description	No. off 80m/m Petrol	Remarks
		<b>FIG. 48. WATER PUMP ASSEMBLY AND FAN (Old Design)</b>		
	58931	<b>Water Pump Assembly</b> —includes items 3, 4, 5, 6, 8, 9, 10, 11, 12 and 15		
1	825 181 M91 353 517 X1 353 446 X1	<b>Fan Assembly</b> ... .. <b>Bolt—Hex.</b> ... .. <b>Washer—Lock</b> ... ..	1 4 4	
2	825 378 M91	<b>Pulley Assembly—Fan</b> ... ..	1	
3	56513 353 522 X1 353 916 X1 353 446 X1	<b>Hub—Fan Pulley</b> ... .. <b>Bolt—Hex.</b> ... .. <b>Nut—Hex.</b> ... .. <b>Washer—Lock</b> ... ..	1 1 1 1	
4	100446 56222	<b>Plug—Vent</b> ... .. <b>Retainer—Bearing</b> ... ..	1 1	
5	58865 MP 1058	<b>Housing—Bearing</b> ... .. <b>Nipple—Grease</b> ... ..	1 1	
6	56223	<b>Bearing—Ball</b> ... ..	1	
7	641 696 M1	<b>Belt—Fan</b> ... ..	1	
8	825 309 M1	<b>Seal—Bearing</b> ... ..	1	
9	825 374 M1 825 742 M1	<b>Seal</b> ... .. <b>Impellor</b> ... ..	1 1	
10	101381 500051 500052 353 445 X1	<b>Impellor</b> ... .. <b>Bolt—Hex.</b> ... .. <b>Nut—Hex.</b> ... .. <b>Washer—Lock</b> ... ..	1 1 1 1	
11	825 141 M1	<b>Gasket—Bearing Housing to Body</b> ... ..	1	
12	825 145 M1 353 431 X1 353 434 X1	<b>Stud—Bearing Housing to Body</b> ... .. <b>Nut—Hex.</b> ... .. <b>Washer—Lock</b> ... ..	2 2 2	
13	56182	<b>Body—Water Pump</b> ... ..	1	
14	825 144 M1	<b>Gasket—Water Pump to Cylinder Block</b> ... ..	1	
15	354 267 X1 354 270 X1 353 434 X1	<b>Bolt—Body to Cylinder Block</b> ... .. <b>Bolt—Body to Cylinder Block</b> ... .. <b>Washer—Lock</b> ... ..	2 1 3	

SM7UCZ

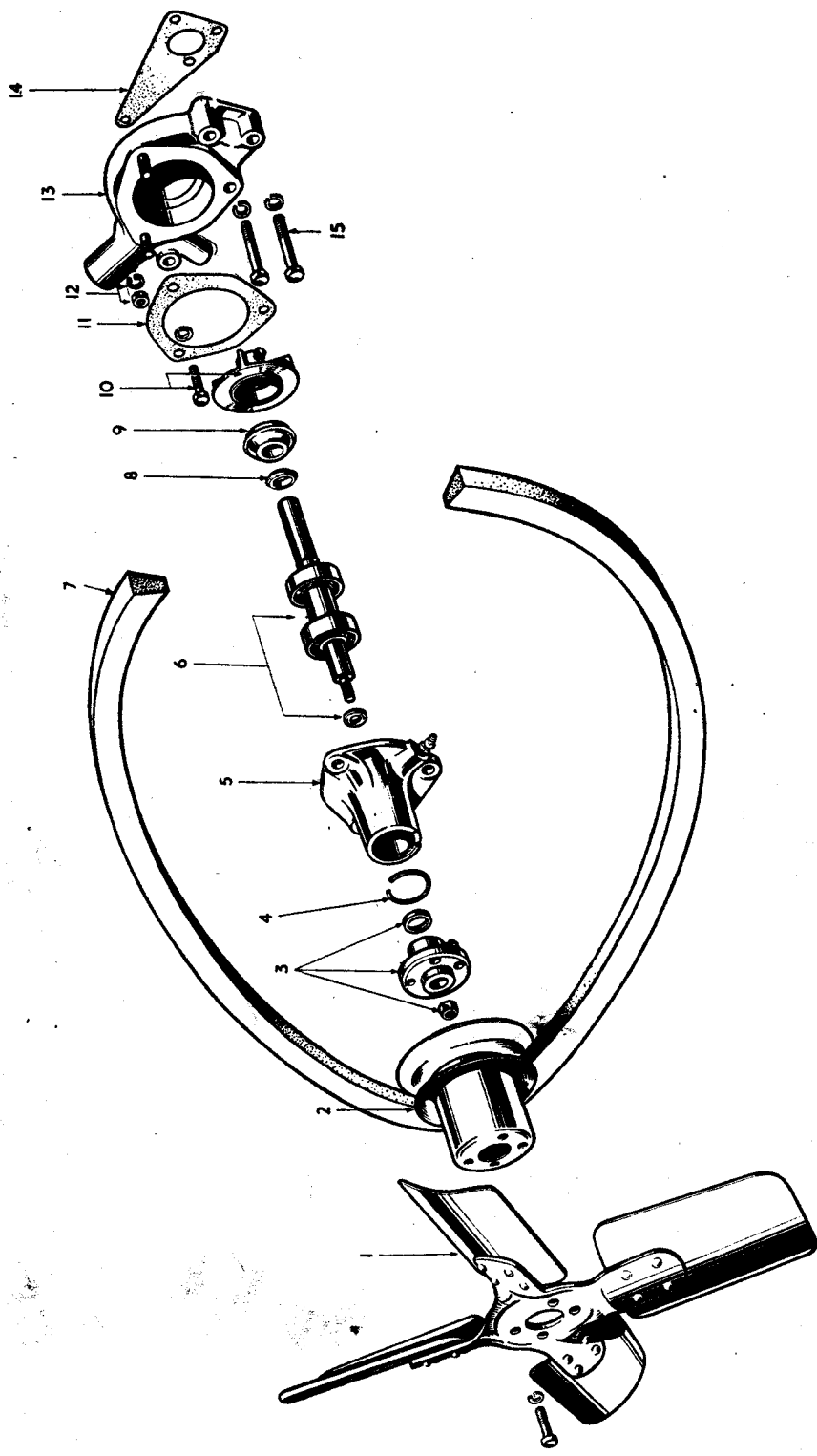


FIG. 48A

SM7UCZ

**"20" TRACTOR PARTS LIST**

Ref. No.	Part No.	Description	No. of					
			80 m/m Pet.	85 m/m Pet.	85 m/m V.O.	85 m/m L.O.	20C Diesel	
		<b>FIG. 48A. WATER PUMP ASSEMBLY AND FAN (New Design)</b>						
	500088	Water Pump Assembly	1		1			
	825 843 M94	Water Pump Assembly		1	1*	1		
	826 119 M91	Water Pump Assembly						1
		Each includes items 2 through 6 and 8 through 13						
1	825 181 M91	Fan Assembly	1	1	1	1		
	826 130 M91	Fan Assembly						1
	825 363 M1	Balance Piece—Fan	1	1	1	1		1
	353 792 X1	Bolt—Hex.	4	4	4	4		4
	353 446 X1	Washer—Lock	4	4	4	4		4
2	825 378 M91	Pulley Assembly—Fan	1	1	1	1		
	826 121 M91	Pulley Assembly—Fan						1
3	825 377 M1	Hub—Fan Pulley	1	1	1	1		
	825 380 M1	Cotter—Fan Pulley Hub	1	1	1	1		
	353 916 X1	Nut—Hex.	1	1	1	1		
	353 446 X1	Washer—Lock	1	1	1	1		
	825 379 M1	Distance Piece	1	1	1	1		
	825 372 M1	Washer	1	1	1	1		
	NN2908	Nut—Nyloc— $\frac{1}{8}$ " N.F.	1	1	1	1		
4	825 371 M1	Ring—Snap	1	1	1	1		
	825 440 M91	Bearing Housing Assembly—Comprising items 3, 4, 5, 6 and 8	1	1	1	1		
5	825 447 M1	Housing—Bearing	1	1	1	1		
	MP 1058	Lubricator	1	1	1	1		
6	825 375 M1	Bearing	2	2	2	2		
	825 743 M1	Spindle	1	1	1	1		
	825 370 M1	Distance Piece	1	1	1	1		
	825 376 M1	Washer—Abutment	1	1	1	1		
	825 471 M1	Circlip	1	1	1	1		
7	641 696 M1	Belt—Fan	1	1	1	1		
	826 960 M1	Belt—Fan						1
8	825 309 M1	Seal—Bearing	1	1	1	1		
9	825 374 M1	Seal—Water Pump	1	1	1	1		
10	825 742 M1	Impellor	1	1	1	1		
	500051	Bolt—Impellor to Spindle (use with 101381)	1	1	1	1		
	500052	Nut—Impellor to Spindle (use with 101381)	1	1	1	1		
	353 445 X1	Washer—Lock—Impellor to Spindle (use with 101381)	1	1	1	1		
11	825 141 M1	Gasket—Bearing Housing to Body	1	1	1	1		
12	825 145 M1	Stud—Bearing Housing to Body	2	2	2	2		
	353 431 X1	Nut—Hex.	2	2	2	2		
	353 434 X1	Washer—Lock	2	2	2	2		
13	56182	Body—Water Pump	1		1			
	825 446 M1	Body—Water Pump		1	1†	1		
	825 496 M1	Drain Tap (Not Illustrated)		1	1	1		
	827 770 M1	Body—Water Pump						1
14	825 144 M1	Gasket—Water Pump to Block	1		1			
	825 386 M1	Gasket—Water Pump to Head		1	1†	1		
15	354 264 X1	Bolt—Body Attachment		1	1†	1		
	354 267 X1	Bolt—Body Attachment	2	2	2	2		2
	354 270 X1	Bolt—Body Attachment	1	1	1	1		
	354 272 X1	Bolt—Body and Dynamo Adjusting Link						1
	353 434 X1	Washer—Lock	3	4	4	4		3

SM7UCZ

\* 209,810 and future.  
† Engine S170,174E and future.



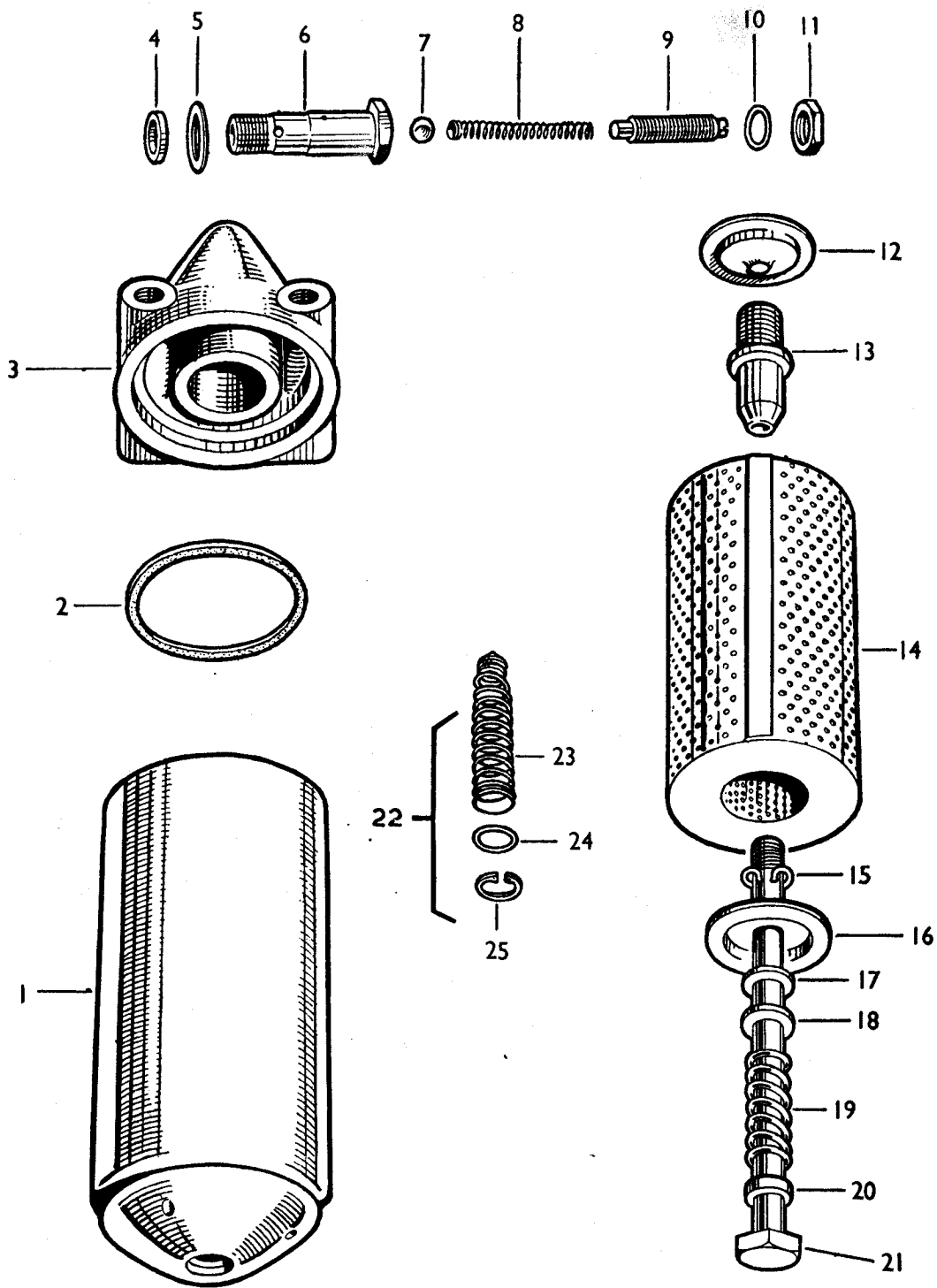


FIG. 49

SM7UCZ

**“20” TRACTOR PARTS LIST**

Ref. No.	Part No.	Description	No. Off 20C Diesel	Remarks
		<b>FIG. 49. PUROLATOR (MICRONIC) OIL FILTER</b>		
	826 136 M91	<b>Oil Filter Assembly</b> ... ..	1	
1	827 456 M1	<b>Sump End Plate</b> —Does not include 827 457 M1	1	
	827 457 M1	<b>Retaining Plate</b> —Bottom ... ..	1	
2	827 446 M1	<b>Seal for Head</b> ... ..	1	
3	827 447 M1	<b>Head</b> ... ..	1	
4	827 448 M1	<b>Seal</b> —Engine Relief Valve ... ..	1	
5	827 449 M1	<b>Washer</b> —Engine Relief Valve ... ..	1	
6	825 271 M1	<b>Body</b> ... ..	1	
7	825 301 M1	<b>Ball</b> ... ..	1	
8	825 310 M1	<b>Spring</b> ... ..	1	
9	825 311 M1	<b>Plug</b> —Adjusting ... ..	1	
10	825 104 M1	<b>Washer</b> —Lead ... ..	1	
11	827 445 M1	<b>Lock Nut</b> ... ..	1	} Alternatives
	825 115 M1	<b>Lock Nut</b> ... ..	1	
12	827 450 M1	<b>Guide</b> —Element—Top ... ..	1	
13	827 451 M1	<b>Tube</b> —Centre ... ..	1	
14	826 137 M91	<b>Element Assembly</b> ... ..	1	
15	827 452 M1	<b>Circlip</b> ... ..	1	
16	827 453 M1	<b>Guide</b> —Element—Bottom ... ..	1	
17	827 454 M1	<b>Seal</b> —Element ... ..	1	
18	827 455 M1	<b>Washer</b> ... ..	1	
19	827 458 M1	<b>Spring</b> ... ..	1	
20	827 459 M1	<b>Seal</b> —Sump ... ..	1	
21	827 460 M1	<b>Bolt</b> —Centre ... ..	1	
22	827 461 M1	<b>Valve</b> —Relief ... ..	1	
23	827 462 M1	<b>Spring</b> —Filter Relief Valve ... ..	1	
24	827 463 M1	<b>Washer</b> —Filter Relief Valve ... ..	1	
25	827 464 M1	<b>Circlip</b> —Filter Relief Valve ... ..	1	
	SM7UCZ			

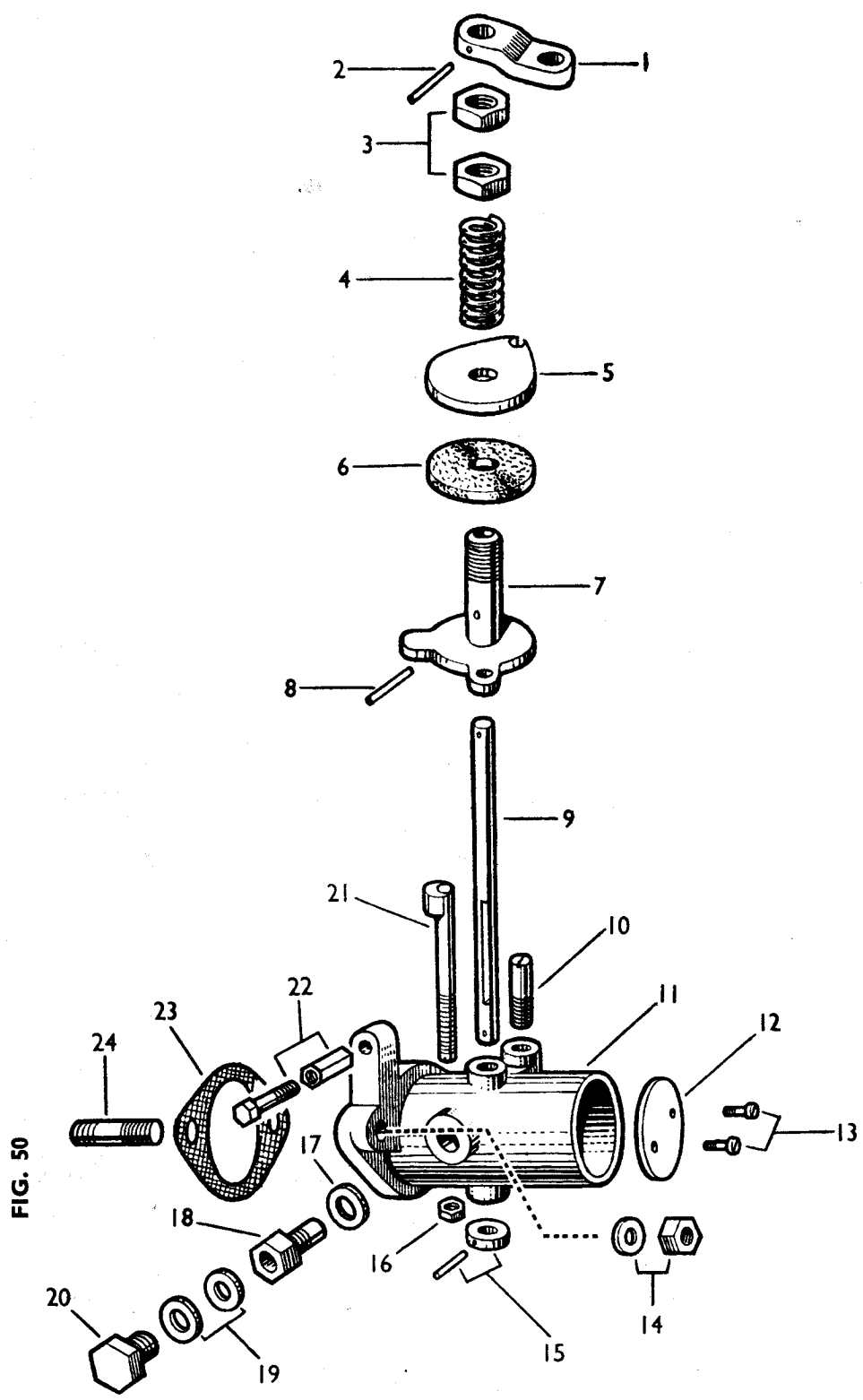


FIG. 50

SM7UCZ

**" 20 " TRACTOR PARTS LIST**

Ref. No.	Part No.	Description	No. Off 20 C Diesel	Remarks
		FIG. 50. VENTURI ASSEMBLY		
	103045	Venturi Assembly (use 113548) ... ..	1A	
	113548	Venturi Assembly ... ..	1B	
		Each includes appropriate items 1 through 13 and 15 through 22		
1	825 975 M1	Lever-Venturi ... ..	1	
2	500555	Pin-Mills-Lever to Spindle ... ..	1	
3	103197	Lock Nut ... ..	2	
4	103054	Spring-Damper ... ..	1	
5	102152	Plate-Thrust ... ..	1	
6	102155	Disc-Friction ... ..	1	
7	103051	Operating Lever Assembly ... ..	1A	
	103906	Operating Lever Assembly ... ..	1B	
8	500538	Pin-Mills-Lever to Spindle ... ..	1	
9	825 974 M1	Spindle ... ..	1	
10	102514	Pin-Locking ... ..	1	Up to SA.2812E From SA.2813E
	825 978 M1	Pin-Abutment ... ..	1	
	825 977 M1	Lock Nut ... ..	1	
11		Body-Not serviced separately. Order 103045 ... ..		
	110095	Body ... ..	1B	
	110140	Bush-Venturi Body ... ..	2B	
12	825 970 M1	Butterfly ... ..	1	
13	825 969 M1	Screw-Set Butterfly ... ..	2	
14	353 431 X1	Nut-Venturi Attaching ... ..	2	
	353 434 X1	Washer-Lock ... ..	2	
15	102373	Collar-Spindle ... ..	1A	
	500411	Pin-Mills ... ..	1A	
	103437	Collar-Spindle ... ..	1B	
	375 202 X1	Pin-Mills ... ..	1B	
16	353 917 X1	Lock Nut-Idling Stop Set Screw ... ..	1	
17	825 966 M1	Washer-Fibre ... ..	1	
18	825 971 M1	Pitot-Venturi ... ..	1	
19	825 967 M1	Washer-Fibre ... ..	2	
20	825 968 M1	Screw-Union ... ..	1	
21	825 972 M1	Screw-Set-Idling Stop ... ..	1	
22	825 979 M1	Bolt-Full Throttle Stop ... ..	1	
	825 973 M1	Lock Nut-Special ... ..	1	
23	59349	Gasket-Venturi to Manifold ... ..	1	
24	103095	Stud-Upper-Venturi to Manifold ... ..	1	
	60322	Stud-Lower-Venturi to Manifold ... ..	1	
		A = Up to SA.1868E B = From SA.1869E		
SM7UCZ				

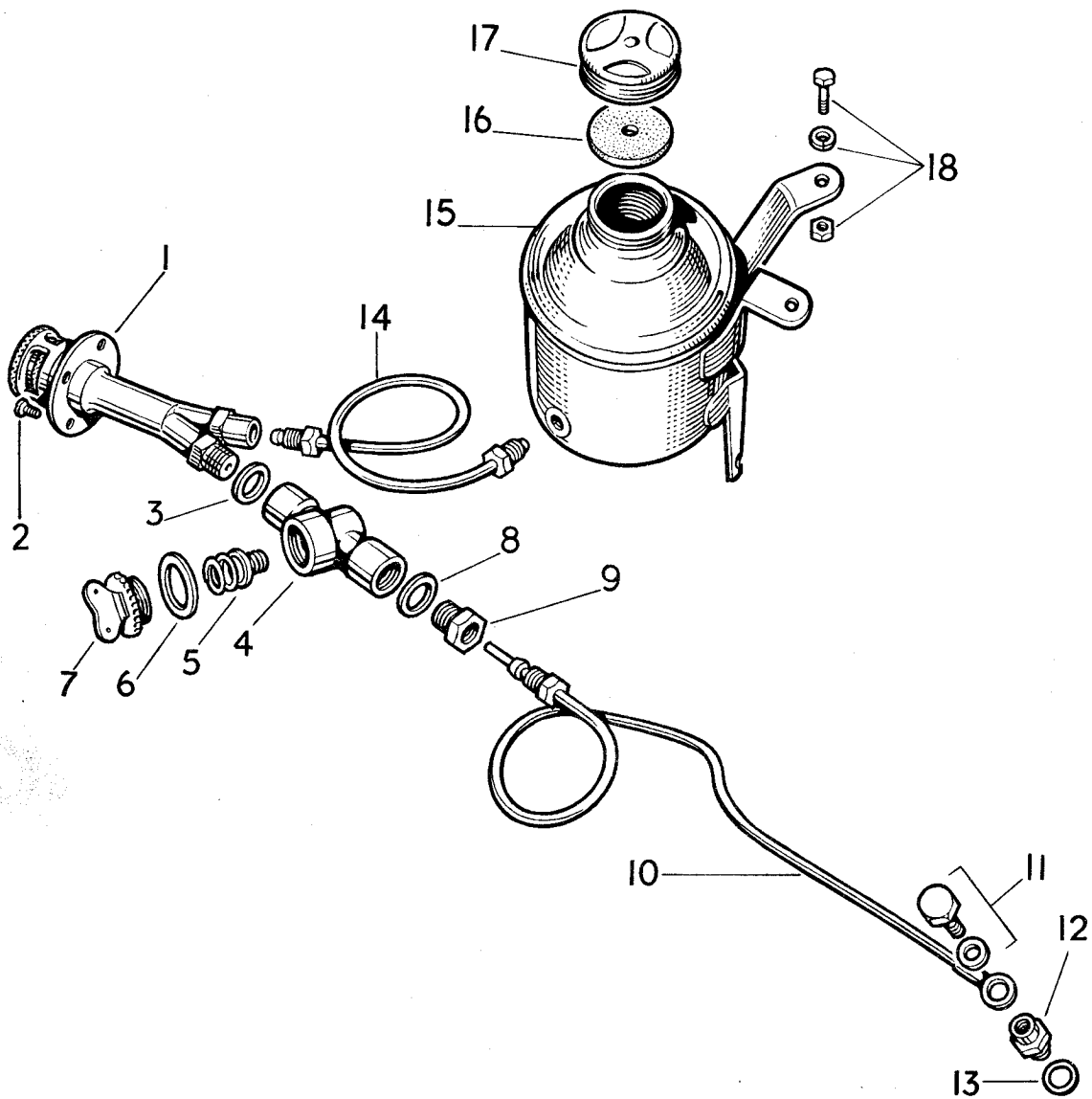


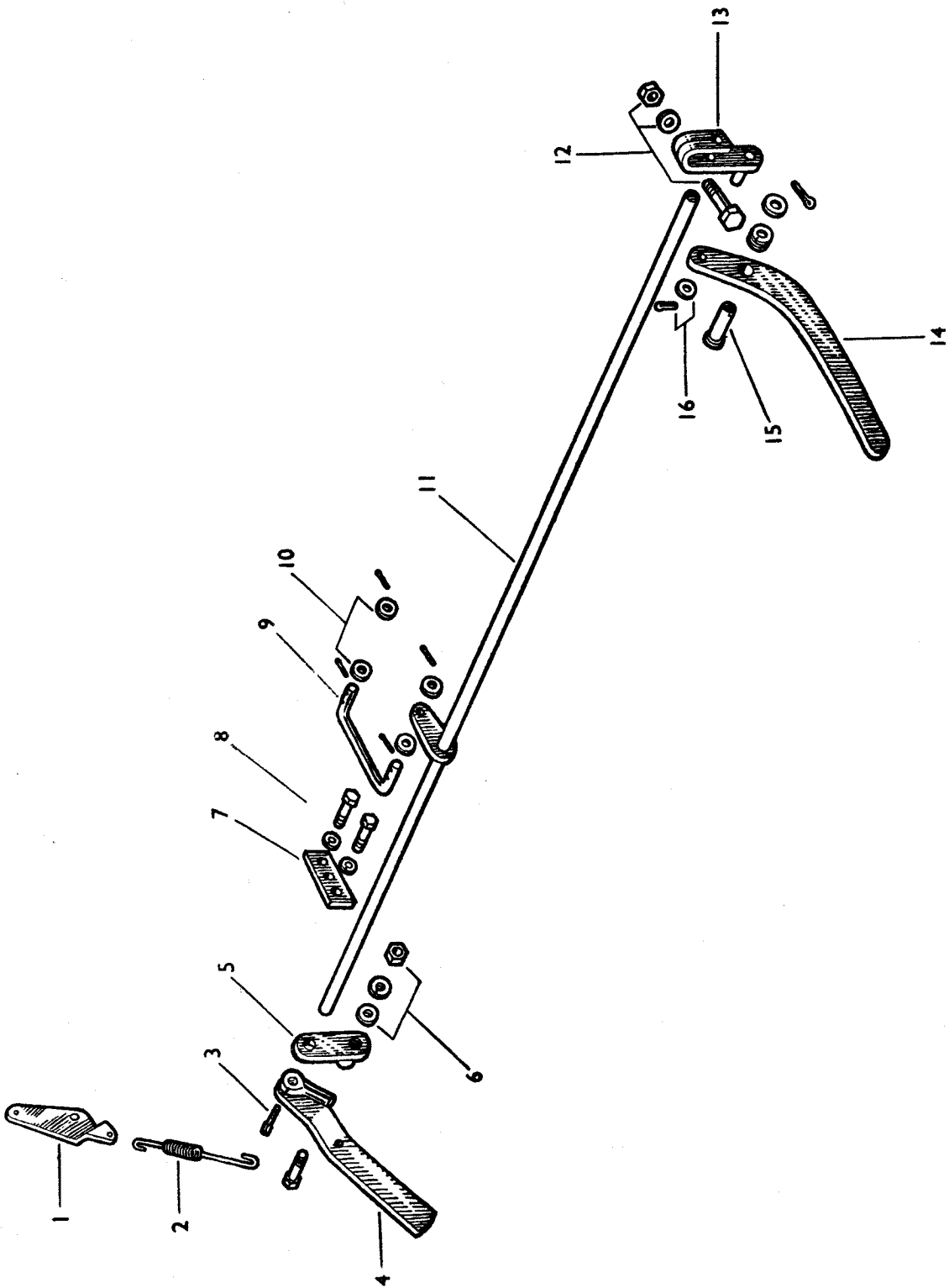
FIG. 5SM7UCZ

CTP 260

**“20” TRACTOR PARTS LIST**

Ref. No.	Part No.	Description	No. Off 20C Diesel	Remarks
		<b>FIG. 51. KIGASS EQUIPMENT</b>		
1	103106	<b>Pump</b> —Kigass, includes ... ..	1	
	827 294 M1	<b>Union</b> —Pump ... ..	1	
	104059	<b>Union</b> —Outlet ... ..	1	
	827 295 M1	<b>Washer</b> —Copper ... ..	2	
	501233	<b>Spring</b> —Outlet ... ..	1	
	501234	<b>Spring</b> —Inlet ... ..	1	
	501246	<b>Ball</b> — $\frac{3}{8}$ " Dia. ... ..	2	
2	827 296 M1	<b>Screw</b> —Set—Pump to Panel ... ..	4	
3	500807	<b>Washer</b> ... ..	1	
	103198	<b>Filter</b> —Pipe Line, includes items 4, 5, 6 and 7 ...	1	
4		<b>Body</b> —Filter—Not serviced separately		
5	500873	<b>Filter and Spring Assembly</b> ... ..	1	
6		<b>Washer</b> —Not serviced separately.		
7	500874	<b>Screw</b> —Butterfly ... ..	1	
8	500807	<b>Washer</b> ... ..	1	
9	103838	<b>Adaptor</b> —Filter to Atomizer Pipe ... ..	1	
10	103102	<b>Pipe Assembly</b> —Pump to Atomizer ... ..	1	
11	103835	<b>Bolt</b> —Banjo ... ..	1	
	826 208 M1	<b>Washer</b> —Banjo Bolt ... ..	2	
12	826 206 M1	<b>Atomizer</b> ... ..	1	
13	826 207 M1	<b>Washer</b> ... ..	1	
14	103101	<b>Pipe Assembly</b> —Tank to Pump ... ..	1	Up to 381,659.
	107762	<b>Pipe Assembly</b> —Tank to Pump ... ..	1	381,660 and Future.
15	200861	<b>Tank Assembly</b> , includes items 16 and 17 ...	1	Up to 381,659.
	201909	<b>Tank Assembly</b> , includes items 16 and 17 ...	1	381,660 and Future
16	103833	<b>Washer</b> —Tank Cap ... ..	1	
17	103832	<b>Cap</b> —Tank ... ..	1	
18	353 501 X1	<b>Bolt</b> —Tank to Support ... ..	3	1 off from 246,274 to 381,659.
	353 668 X1	<b>Bolt</b> —Tank to Support ... ..	2	246,274 to 381,659.
	353 441 X1	<b>Washer</b> —Lock ... ..	3	
	353 918 X1	<b>Nut</b> —Hex. ... ..	3	1 off from 246,274 to 381,659.
	355 564 X1	<b>Nut</b> —Hex. ... ..	2	} From 246,274 to 381,659 only.
	2577	<b>Distance Piece</b> ... ..	2	
	SM7UCZ			

FIG. 52

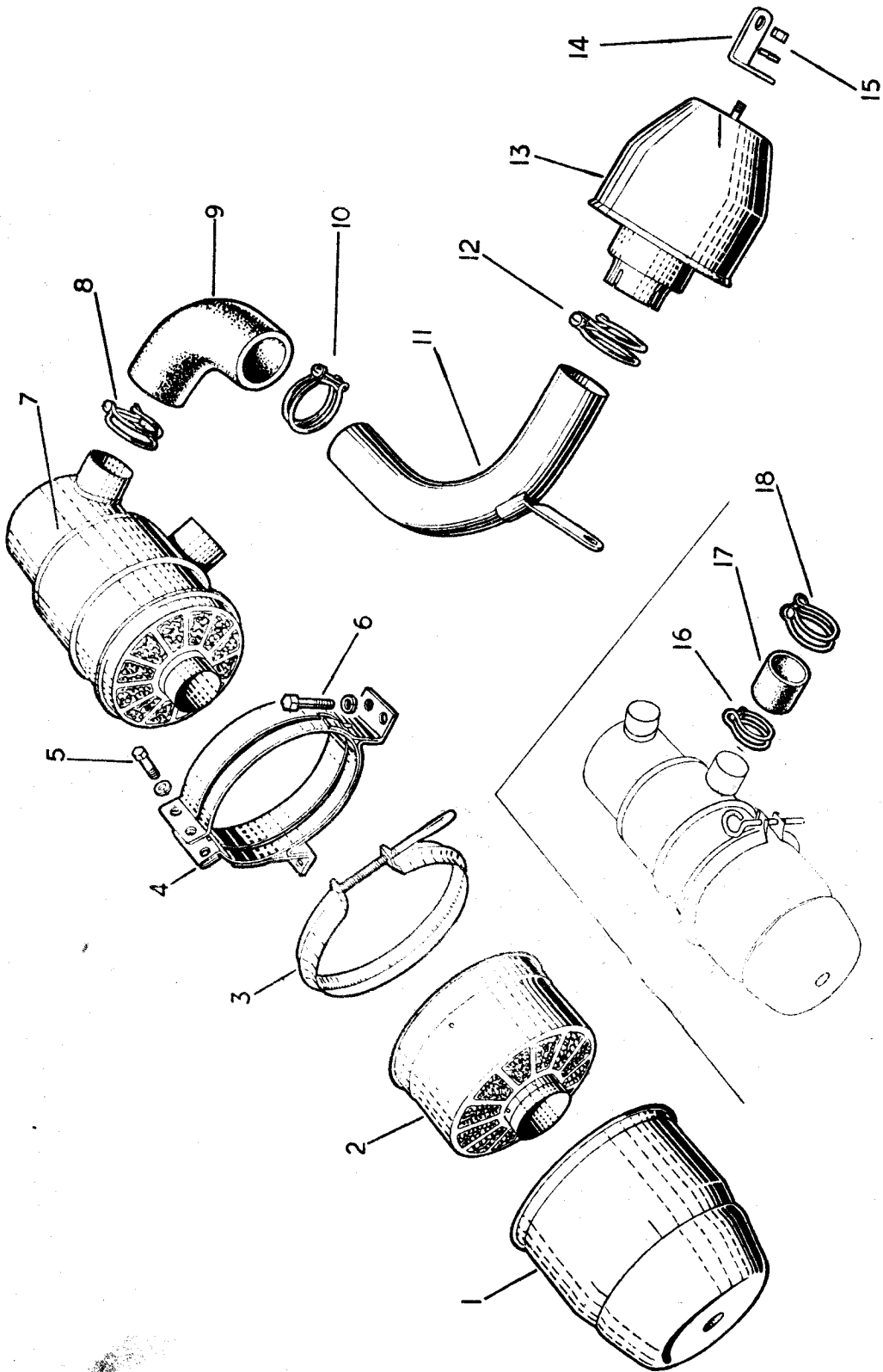


SM7UCZ

Ref. No.	Part No.	Description	No. off 20C Diesel	Remarks
<b>FIG. 52. DECOMPRESSION OPERATING SHAFT AND RELATED PARTS.</b>				
1	101323	<b>Bracket—Spring Anchorage</b> ... ..	1	Up to 327,388. 327,389 to 381,659. 381,660 and Future.
	106433	<b>Bracket—Control Box</b> ... ..	1	
	107759	<b>Bracket—Control Box</b> ... ..	1	
2	101043	<b>Spring—Return</b> ... ..	1	
3	825 198 M1	<b>Screw—Taper Set</b> ... ..	1	
4	101321	<b>Lever Assembly—Decompression</b> ... ..	1	
	103033	<b>Pawl</b> ... ..	1	
	103034	<b>Spring</b> ... ..	1	
	500540	<b>Pin—Mills</b> ... ..	1	
5	103030	<b>Pawl Abutment Assembly</b> ... ..	1	
6	353 522 X1	<b>Bolt—Abutment to Bulkhead</b> ... ..	1	
	353 446 X1	<b>Washer—Lock</b> ... ..	1	
	353 755 X1	<b>Washer—Flat</b> ... ..	1	
	353 916 X1	<b>Nut—Hex.</b> ... ..	1	
7	102172	<b>Bracket—Bearing</b> ... ..	1	
8	353 517 X1	<b>Screw—Set—Bracket Attaching</b> ... ..	2	
	353 446 X1	<b>Washer—Lock</b> ... ..	2	
9	101717	<b>Rod—Decompression Link...</b> ... ..	1	
10	353 755 X1	<b>Washer—Flat</b> ... ..	2	
	WP0101	<b>Washer—Plain</b> ... ..	2	
	354 048 X1	<b>Pin—Cotter</b> ... ..	4	
11	200149	<b>Shaft Assembly—Decompression Operating</b>	1	Up to 244,084. 244,085 and Future.
	201453	<b>Shaft Assembly—Decompression Operating—Rear</b> ... ..	1	
	105356	<b>Shaft—Front</b> ... ..	1	
	105354	<b>Coupling</b> ... ..	1	
	825 198 M1	<b>Screw—Set—Taper</b> ... ..	2	
12	353 521 X1	<b>Bolt—Lever and Pin to Shaft</b> ... ..	1	Up to 244,084. 244,085 and Future.
	353 524 X1	<b>Bolt—Clamp to Shaft</b> ... ..	1	
	353 755 X1	<b>Washer—Flat</b> ... ..	1	
	353 916 X1	<b>Nut—Hex.</b> ... ..	1	
13	101322	<b>Lever and Pin Assembly...</b> ... ..	1	Up to 244,084. 244,085 and Future.
	103917	<b>Operating Lever Assembly</b> ... ..	1	
	103568	<b>Clamp</b> ... ..	1	
	353 518 X1	<b>Bolt—Lever to Clamp</b> ... ..	1	
	353 755 X1	<b>Washer—Flat</b> ... ..	1	
	353 446 X1	<b>Washer—Lock</b> ... ..	1	
	353 916 X1	<b>Nut—Hex.</b> ... ..	1	
14	100674	<b>Handle—Decompression Front</b> ... ..	1	Up to 244,084. 244,085 and Future
	103684	<b>Handle—Decompression Front</b> ... ..	1	
15	50PS119B	<b>Pin—Clevis—Handle to Engine</b> ... ..	1	
	61466	<b>Spring Washer—Double Coil</b> ... ..	1	
	353 758 X1	<b>Washer—Flat</b> ... ..	1	
	354 058 X1	<b>Pin—Cotter</b> ... ..	1	
16	354 046 X1	<b>Pin—Cotter—Lever to Handle</b> ... ..	1	
SM7UC	353 755 X1	<b>Washer—Flat</b> ... ..	1	



FIG. 53



SM7UCZ

Ref. No.	Part No.	Description	No. off 20C Diesel	Remarks
		<b>FIG. 53. AIR CLEANER AND RELATED PARTS.</b>		
	200774	<b>Air Cleaner Assembly</b> —includes Items 1, 2, 3 and 7. ... ..	1	
1	500815	<b>Cup</b> ... ..	1	
2	500814	<b>Element for Cup</b> ... ..	1	
3	1850 177 M1	<b>Clamp</b> ... ..	1	
4	200651	<b>Bracket Assembly</b> —Air Cleaner Attaching ...	1	
5	353 522 X1	<b>Bolt</b> —Air Cleaner to Bracket ... ..	2	
	353 916 X1	<b>Nut</b> —Hex. ... ..	2	
	353 446 X1	<b>Washer</b> —Lock ... ..	2	
6	353 517 X1	<b>Screw</b> —Set—Air Cleaner Bracket to Support...	4	
	353 446 X1	<b>Washer</b> —Lock ... ..	4	
7	500813	<b>Body and Element Assembly</b> ... ..	1	
8	CS4034	<b>Clip</b> — $2\frac{1}{8}$ " Dia. ... ..	1	
9	103038	<b>Connection</b> —Air Intake ... ..	1	
10	CS4034	<b>Clip</b> — $2\frac{1}{8}$ " Dia. ... ..	1	
11	103094	<b>Pipe Assembly</b> —Air Intake—Horizontal ...	1	} Alternatives.
	302140	<b>Pipe Assembly</b> —Air Intake—Vertical ...	1	
12	CS4029	<b>Clip</b> — $1\frac{1}{2}$ " Dia. ... ..	1	
13	103093	<b>Pre-Cleaner</b> ... ..	1	
14	103092	<b>Bracket</b> —Front Support (For 103094) ... ..	1	
15	353 918 X1	<b>Nut</b> —Hex. } For 103094 ... ..	1	
	353 441 X1	<b>Washer</b> —Lock } ... ..	1	
16	CS4034	<b>Clip</b> — $2\frac{1}{8}$ " Dia. ... ..	1	
17	2283	<b>Connection</b> —Air Cleaner to Venturi ... ..	1	
18	CS4035	<b>Clip</b> — $2\frac{3}{8}$ " Dia. ... ..	1	

SM7UCZ

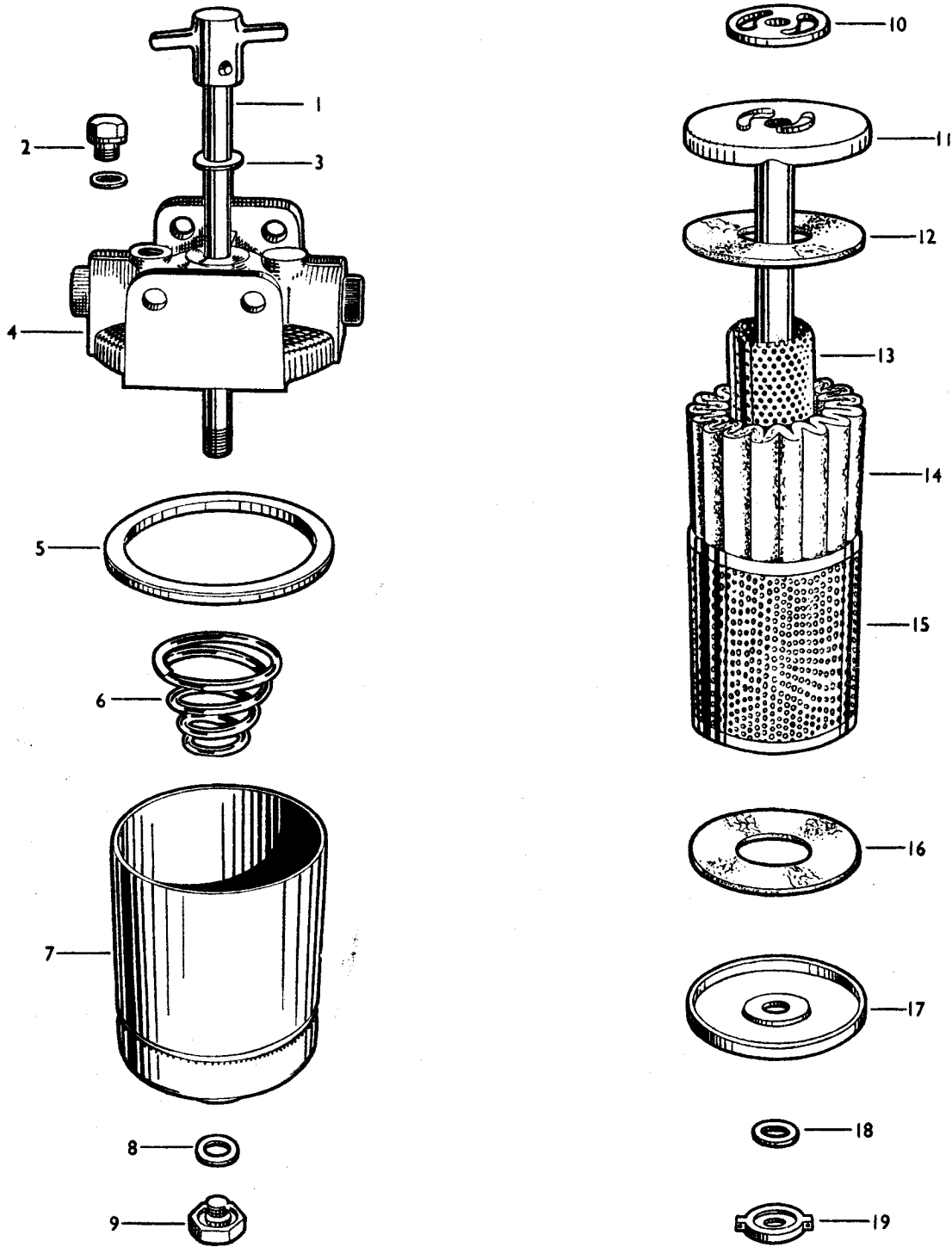


FIG. 54

SM7UCZ

**“20” TRACTOR PARTS LIST**

Ref. No.	Part No.	Description	No. off 20C Diesel	Remarks
<b>FIG. 54. PRIMARY AND SECONDARY FUEL FILTERS.</b> (Up to Tractor 336,104 only)				
	102822	Fuel Oil Filter—Complete	2	
	500762	Insert Assembly—Includes Items 10 through 19	2	
	500764	Element Assembly—Includes Items 12, 14 and 16	2	
1	500772	Centre Bolt Assembly	1	Up to 262,367 1 off up to 262,367
	500896	Cap Nut	2	
2	500771	Plug—Air Release	2	
	825 747 M1	Washer—Plug	2	
3	500773	Washer—Centre Bolt	2	
4	500761	Head	2	
5	500751	Washer—Head to Case	2	
6	500768	Spring	2	
7	500776	Case Assembly	1	1 Off up to 262,367.
	500777	Case Assembly	2	
8	500867	Washer—Drain Plug	2	
9	500880	Plug—Drain	2	
10	500774	Joint—Insert	2	
11	500763	Cap Assembly—Top	2	
12	500778	Felt Pad—Top	2	
13	500770	Case—Perforated	2	
14		Element—Not serviced separately. Order 500764.		
15	500769	Cylinder—Gauze	2	
16	500778	Felt Pad—Bottom	2	
17	500765	Cap—Bottom	2	
18	500766	Washer	2	
19	500767	Nut—Wing	2	
<b>NOT ILLUSTRATED</b>				
	103806	Stay—Fuel Filter to Breather Filter	1	
	353 518 X1	Bolt—Hex.	1	
	353 916 X1	Nut—Hex.	1	
	353 446 X1	Washer—Lock	1	
SM7UCZ				

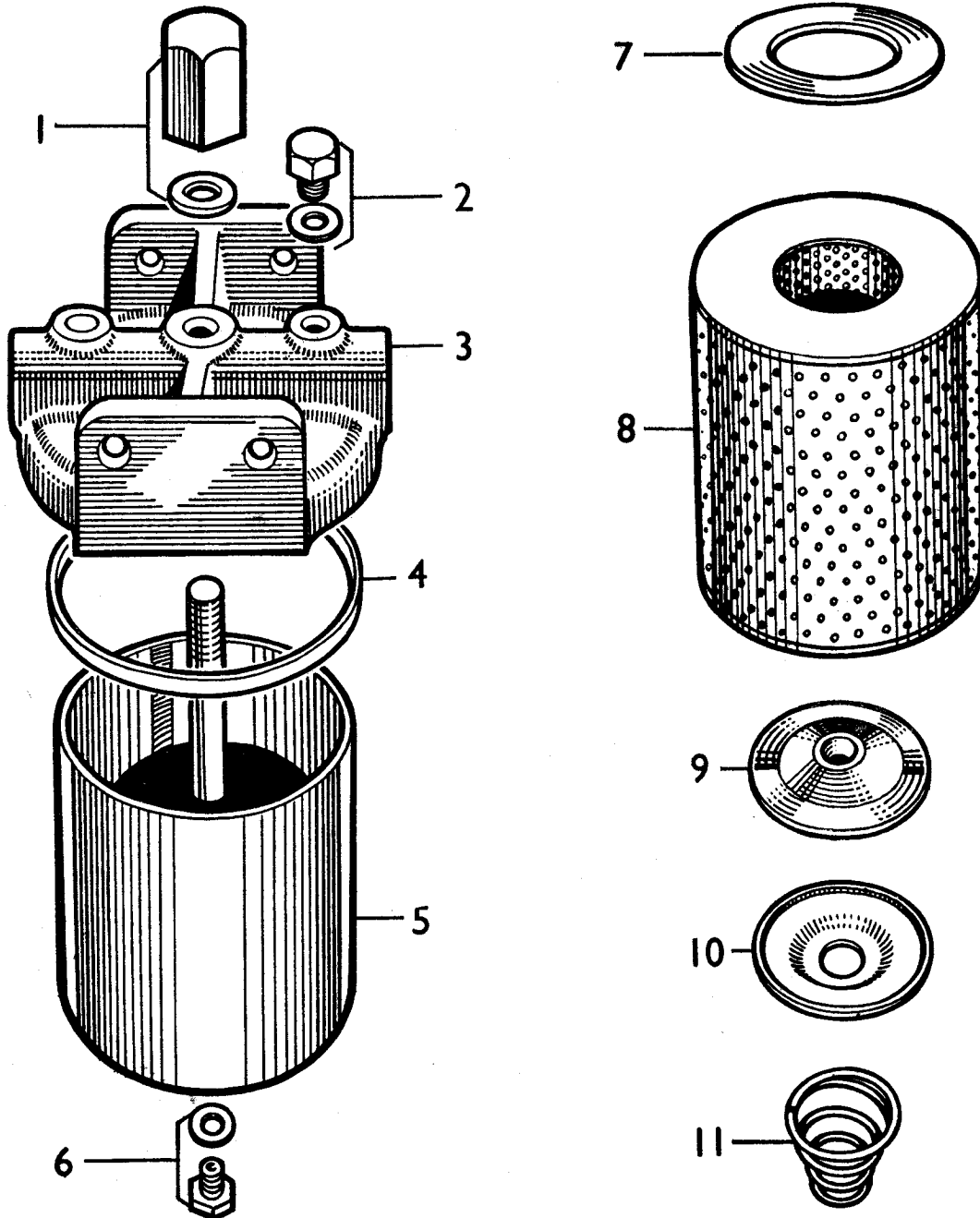


FIG. 54A

SM7UCZ

**“20” TRACTOR PARTS LIST**

Ref. No.	Part No.	Description	No. off 20C Diesel	Remarks
		<b>FIG. 54A PUROLATOR FUEL FILTER ASSEMBLY (Tractor 336,105 and future)</b>		
	201524	<b>Fuel Filter Assembly—Complete</b> ... .. 2 Each comprising :—		
1	1850 444 M1	<b>Nut—Head</b> ... .. 1		
	1850 445 M1	<b>Washer—Head Nut</b> ... .. 1		
2	1850 446 M1	<b>Vent Plug</b> ... .. 1		Up to 383,710
	1850 447 M1	<b>Washer—Vent Plug</b> ... .. 1		} 383,711 and Future
	109073	<b>Valve—Filter</b> ... .. 1		
	109062	<b>Pipe—Valve to Injector</b> ... .. 1		
	826 161 M1	<b>Washer—Copper</b> ... .. 1		
3	1850 448 M1	<b>Head—Filter</b> ... .. 1		
4	827 446 M1	<b>Seal—Head to Sump</b> ... .. 1		
5	1850 454 M91	<b>Sump and Spindle Assembly</b> ... .. 1		
6	1850 446 M1	<b>Drain Plug</b> ... .. 1		
	1850 447 M1	<b>Washer—Drain Plug</b> ... .. 1		
7	1850 449 M1	<b>Seal—Head to Element</b> ... .. 1		
8	1850 450 M1	<b>Element</b> ... .. 1		
9	1850 451 M1	<b>Seal—Centre Spindle</b> ... .. 1		
10	1850 452 M1	<b>Plate—Seal Support</b> ... .. 1		
11	1850 453 M1	<b>Spring</b> ... .. 1		

SM7UCZ

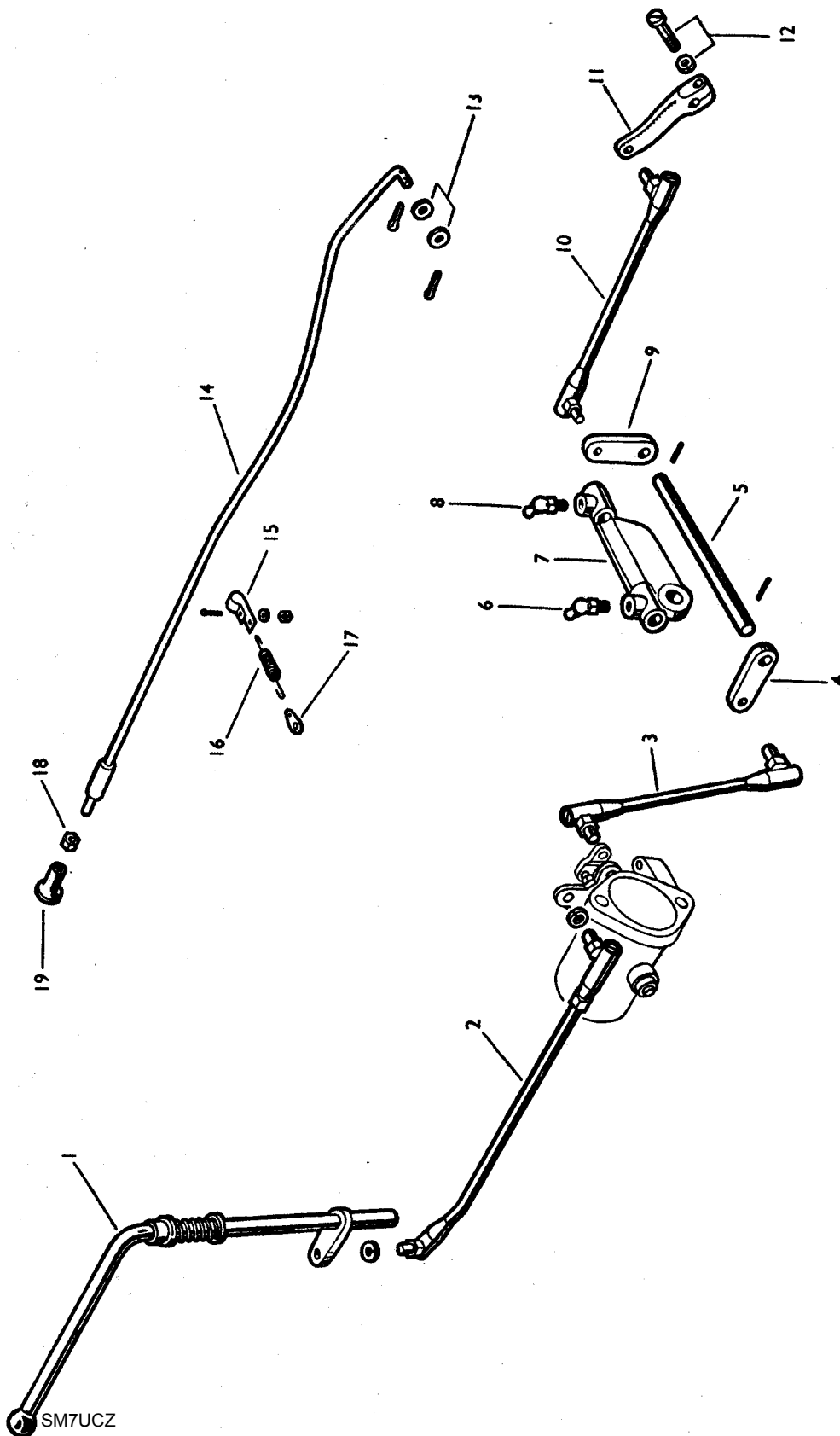


FIG. 55

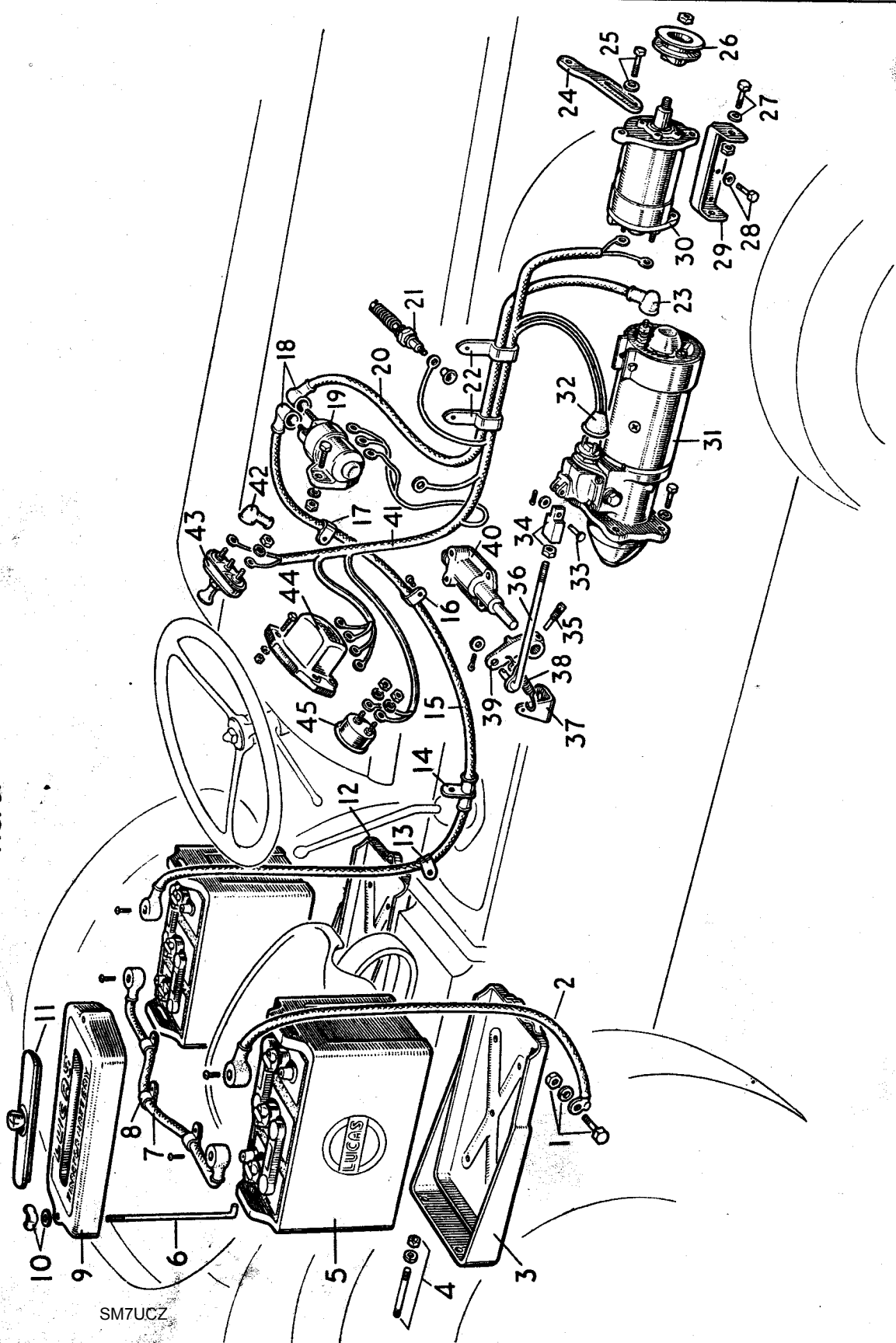
SM7UCZ

**“20” TRACTOR PARTS LIST**

Ref. No.	Part No.	Description	No. Off	Remarks
<b>FIG. 55. THROTTLE AND FUEL CUT-OFF CONTROLS</b>				
1	200642 354 047 X1	<b>Throttle Rod Assembly</b> , includes :— ... <b>Pin—Cotter</b> ... ..	1 1	
2	113145 113148 104306 826 897 M1 353 754 X1 353 919 X1 353 441 X1	<b>Link Rod Assembly</b> , includes :— ... <b>Pin—Front</b> ... .. <b>Pin—Rear</b> ... .. <b>Clip</b> ... .. <b>Washer—Flat</b> ... .. <b>Nut—Hex.—Jam</b> ... .. <b>Washer—Lock</b> ... ..	1 1 1 1 2 1 2	
3	103059 112769	<b>Rod—Link—Venturi to Cross Shaft</b> ... .. <b>Rod—Link—Venturi to Cross Shaft</b> ... ..	1 1	} Alternatives.
4	103056	<b>Lever—Intermediate</b> ... ..	1	
5	103057 375 202 X1	<b>Shaft—Cross</b> ... .. <b>Pin—Mills—Lever to Cross Shaft</b> ... ..	1 2	
6	MP 1057	<b>Lubricator—</b> ... ..	1	
7	103058 353 680 X1 353 755 X1	<b>Bracket—Idling Controls</b> ... .. <b>Screw—Set—Bracket to Transmission Case</b> ... .. <b>Washer—Flat</b> ... ..	1 1 1	
8	MP 1058	<b>Lubricator</b> ... ..	1	
9	103056	<b>Lever—Intermediate</b> ... ..	1	
10	112770 103060 105184	<b>Rod—Link—Idling Control</b> ... .. <b>Rod—Link—Idling Control</b> ... .. <b>Rod—Link—Idling Control (use with 300964 Pump)</b> ... ..	1 1 1	} Alternatives.
11	103061	<b>Lever—Idling Control</b> ... ..	1	
12	TF2505 353 445 X1  2514  500945	<b>Screw—Set—Lever to Pump</b> ... .. <b>Washer—Lock</b> ... ..  <b>Control Rod Assembly—Fuel Cut-Off</b> , includes Items 13, 14, 18 and 19 ... .. <b>Control Rod Assembly—Fuel Cut-Off</b> , includes Items 13, 14, 18 and 19 ... ..	1 1  1 1	(Use with 300964 Pump)
13	354 039 X1 353 753 X1	<b>Pin—Cotter—Rod to Pump</b> ... .. <b>Washer—Flat</b> ... ..	1 1	
14		<b>Rod Assembly—Not serviced separately. Order 2514 or 500945</b> ... ..		
15	827 022 M1 19FSR50B 353 445 X1 19FNXB	<b>Clip—Cut-Off Control Rod</b> ... .. <b>Screw—Clip to Control Rod</b> ... .. <b>Washer—Lock</b> ... .. <b>Nut—Hex.</b> ... ..	1 1 1 1	
16	827 023 M1	<b>Spring—Return</b> ... ..	1	
17	827 024 M1	<b>Washer—Tab—Spring to Lower Steering Housing</b> ... ..	1	
18	19FNHB	<b>Nut—Knob to Rod</b> ... ..	1	
19	826 904 M1	<b>Knob</b> ... ..	1	
	SM7UCZ			



FIG. 56



SM7UCZ

**" 20 " TRACTOR PARTS LIST**

Ref. No.	Part No.	Description	No. Of 20 C Diesel	Remarks
FIG.56. ELECTRICAL EQUIPMENT COMPLETE WITH WIRING (12 VOLT)				
1	353 516 X1	Bolt-Earth to Battery Mounting ... ..	1	
	353 446 X1	Washer-Lock ... ..	1	
	353 916 X1	Nut-Hex ... ..	1	
2	* 821215	Lead-Positive Battery to Earth ... ..	1	
	* 186111	Screw-Parker Kalon ... ..	1	
3	826 975 M91	Battery Mounting Assembly. ... ..	1	
	826 983 M1	Packing-Rubber-10" Long ... ..	2	
	826 984 M1	Packing-Rubber-7" Long ... ..	2	
4	826 974 M1	Stud-Mounting to Rear Axle ... ..	8	
	353 432 X1	Washer-Lock ... ..	7	
	353 426 X1	Nut-Hex ... ..	8	
	13 986X	Washer-Shakeproof (R.H.Mounting) ... ..	2	
5	* 4010480	Battery-6 Volt-Model T/TX19/T ... ..	2	Alternatives
	* 4017480	Battery-6 Volt-Model T/TX19/T (Dry Charged) ... ..	2	
6	826 985 M1	Bolt-Battery Anchorage ... ..	4	
7	* 821213	Lead-Battery Positive to Negative ... ..	1	
	* 186111	Screw-Parker Kalon ... ..	2	
8	* 860344	Clip-Battery to Battery Lead ... ..	3	
9	* 4159056	Battery Cover and Inspection Plate Assembly, includes item 11 ... ..	2	
10	826 986 M1	Washer-Battery Anchorage Bolt ... ..	4	
	826 805 M1	Nut-Wing ... ..	4	
11	* 4159915	Inspection Plate-Battery Cover ... ..	2	
12	826 975 M91	Battery Mounting Assembly ... ..	1	
	826 983 M1	Packing-Rubber-10" Long ... ..	2	
	826 984 M1	Packing-Rubber-7" Long ... ..	2	
	826 974 M1	Stud-Mounting to Rear Axle ... ..	4	
	353 432 X1	Washer-Lock ... ..	4	
	353 426 X1	Nut-Hex ... ..	4	
13	* 860344	Clip-Negative Lead to Solenoid ... ..	1	
14	2509	Tube and Bracket-Starter Cable ... ..	1	
15	* 821212	Lead-Battery Negative to Solenoid ... ..	1	Up to 327,388
	* 186111	Screw-Parker Kalon ... ..	1	
	* 824222	Lead-Battery Negative to Solenoid ... ..	1	From 327,389
16	* 187051	Clip-Main Negative Lead to Transmission Case ... ..	1	
	353 445 X1	Washer-Lock ... ..	1	
	YB1584	Screw-Round Head ... ..	1	
<p align="center">*These Items and their Components Serviced by Messrs. J. Lucas Ltd</p>				
SM7UCZ				

**"20" TRACTOR PARTS LIST**

Ref. No.	Part No.	Description	No. Off 20 C Diesel	Remarks
17	* 860346	Clip-Main Negative Lead to Starter Switch Bolt	1	
18	* 860516	Boot-Rubber ... ..	2	
19	* 76443A	Switch-Solenoid-Model ST.950 ... ..	1	
	BH0505	Bolt-Solenoid to Solenoid Bracket ... ..	2	
	353 445 X1	Washer-Lock ... ..	2	
	375 226 X1	Nut-Hex ... ..	2	
	106434	Solenoid Bracket Assembly ... ..	1	
	19FSR75B	Screw-Bracket to Starter ... ..	1	From 327,389
	375 226 X1	Nut-Bracket to Starter ... ..	1	
20	* 821214	Lead-Solenoid to Starter ... ..	1	Up to 327,388
	* 824223	Lead-Solenoid to Starter ... ..	1	
	* 824224	Earthing Cable-Solenoid to Starter ... ..	1	From 327,389
21	826 205 M1	Plug-Heater ... ..	1	
22	* 860345	Clip-Cable to Exhaust Manifold ... ..	1	
23	* 860516	Boot-Rubber ... ..	1	
24	826 135 M1	Link-Dynamo Adjusting ... ..	1	
25	353 680 X1	Bolt-Adjusting Link to Dynamo ... ..	1	
	827 429 M1	Washer-Flat ... ..	1	
	349 012 X1	Washer-Flat ... ..	1	
	375 108 X1	Nut-Hex-Jam ... ..	1	
26	826 134 M1	Pulley-Dynamo ... ..	1	
27	827 427 M1	Bolt-Dynamo to Bracket ... ..	2	
	353 446 X1	Washer-Lock ... ..	2	
	353 755 X1	Washer-Flat ... ..	A.R.	
	827 428 M1	Washer-Flat ... ..	A.R.	
	353 916 X1	Nut-Hex ... ..	2	
28	353 677 X1	Screw-Set-Bracket to Cylinder Block ... ..	4	
	353 446 X1	Washer-Lock ... ..	4	
29	826 133 M1	Bracket-Dynamo ... ..	1	
30	* 22259F	Dynamo-12 Volt-Model C39/P2 ... ..	1	
31	* 26071F	Starter-12 Volt-Model M45G ... ..	1	
	353 706 X1	Screw-Set-Starter to Transmission Case ... ..	1	
	353 571 X1	Screw-Set-Starter to Transmission Case (For 103094) ... ..	1	
	353 572 X1	Screw-Set-Starter to Transmission Case ... ..	1	
	353 432 X1	Washer-Lock ... ..	3	
	827 565 M1	Stud-Starter to Transmission Case ... ..	1	
		*These Items and their Components Serviced by Messrs. J. Lucas Ltd.		
	SM7UCZ			

**"20" TRACTOR PARTS LIST**

Ref. No.	Part No.	Description	No. Off 20C Diesel	Remarks
32	102757	Grommet—Starter Motor Switch	1	
33	25PS62B	Pin—Clevis	1	
	353 754 X1	Washer—Flat	1	
	354 039 X1	Pin—Cotter	1	
34	102747	Connection—Eye	1	
	353 430 X1	Nut—Hex.—Jam	1	
35	60662	Screw—Set—Taper	1	
36	101800	Rod Assembly—Starter Operating	1	
	353 756 X1	Washer—Flat	1	
	354 047 X1	Pin—Cotter	1	
37	103069	Washer—Tab—Pull off Spring	1	
38	57950	Spring—Pull Off	1	
39	200508	Lever—Starter Engage	1	
40	200509	Casing—Starter Mechanism	1	
	101805	Shaft—Operating	1	
	101798	Lever—Operating—Lower	1	
	101806	Dog—Operating Shaft	1	
	60662	Screw—Set—Taper—Dog to Shaft	1	
	102741	Washer—Special	2	
	354 058 X1	Pin—Cotter	2	
	101856	Washer—Lock—Double Coil	1	
41	*821201	Harness—Main	1	Up to 327,388 327,389 and Future
	*824221	Harness—Main	1	
42	*860513	Boot—Rubber—Heater Switch	1	
43	*764467	Heater Switch Knob—Complete with Screw	1	
	103098	Distance Piece	1	
	*76423A	Switch—Heater—Complete with Panel Attaching Nut	1	
44	*37146A	Control Box—12 Volt—Model RF97	1	Up to 381,659. 381,660 and Future
	*37197A	Control Box—12 Volt—Model RB107	1	
	353 668 X1	Bolt—Control Box Attaching	2	
	353 441 X1	Washer—Lock	2	
	355 564 X1	Nut—Hex.	2	
45	*36047E	Ammeter—Model CZU 26	1	
	*900277	Clip—Ammeter Lead	1	
<b>NOT ILLUSTRATED</b>				
	*824220E	Wiring Harness Complete	1	327,389 and Future.
	*821200A	Wiring Harness Complete—Comprising Items 2, 7, 15, 18, 20, 23, 41 and 42	1	Up to 327,388
	101801	Link—Starter Switch to Reverse Rail	1	
	195 234 M1	Pin—Clevis—Link to Reverse Rail	1	
	353 755 X1	Washer—Flat—Link to Reverse Rail	1	
	354 046 X1	Pin—Cotter—Link to Reverse Rail	1	
	31PS50B	Pin—Clevis—Link to Starter Lever	1	
	354 046 X1	Pin—Cotter—Link to Starter Lever	1	
*These Items and their Components Serviced by Messrs. J. Lucas Ltd.				

SM7UCZ

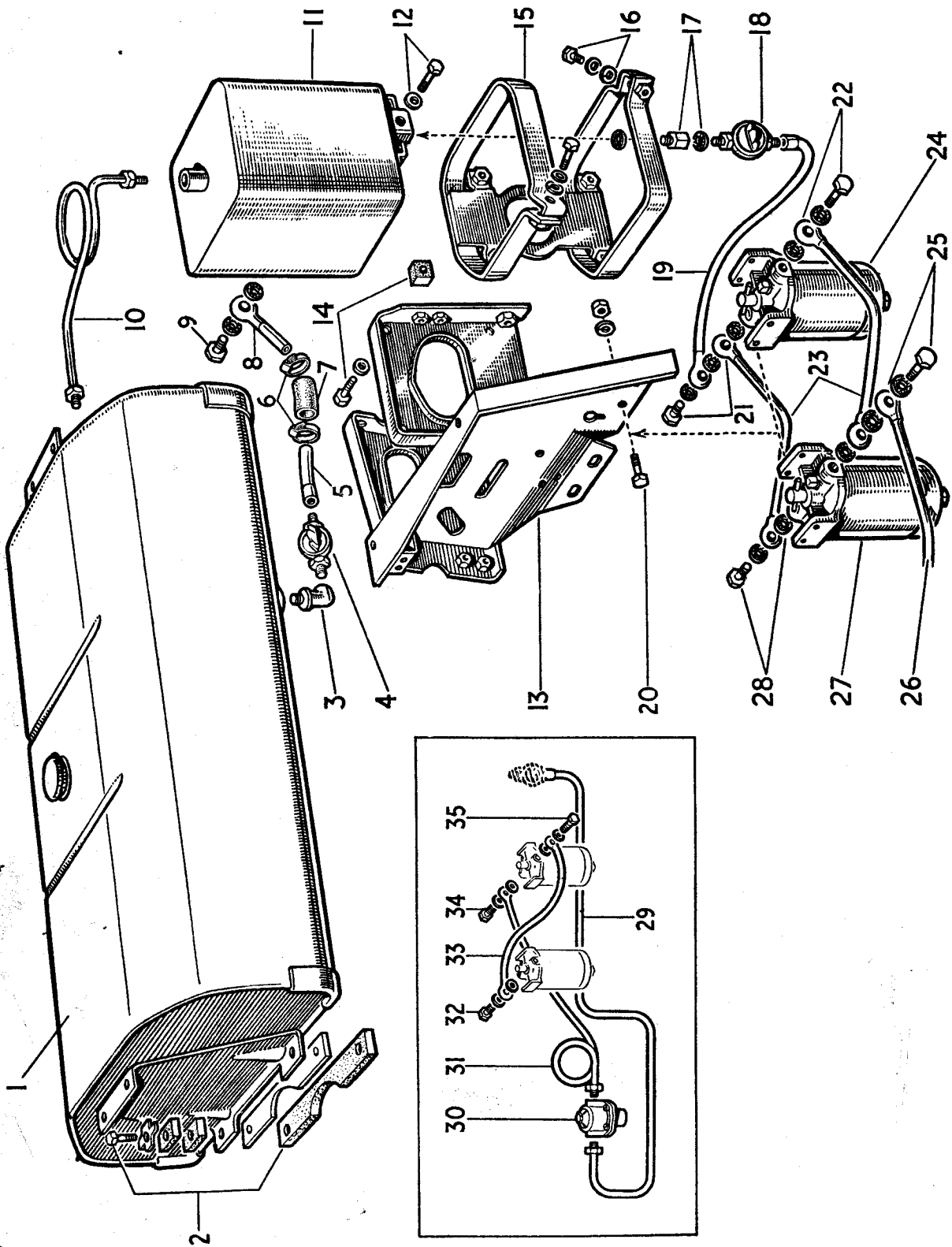


FIG. 57 SM7UCZ

No. Ref.	Part No.	Description	No. Off 20C Diesel	Remarks
<b>FIG. 57. FUEL TANKS AND SUPPLY LINES</b>				
1	2515 500830 1897	<b>Fuel Tank Assembly—Aluminium (Use 500830)</b> <b>Fuel Tank Assembly—Steel—Including :—</b> ... <b>Filler Cap Assembly—Complete with Wire and Chain</b> ... ..	1 1 1	
2	102727 2543 826 785 M1 2131 826 786 M1 BH0812P 2679 353 519 X1	<b>Pad—Rubber—8<math>\frac{3}{4}</math>" Long</b> ... .. <b>Plate—Packing—9<math>\frac{1}{4}</math>" Long (for 2515)</b> ... .. <b>Packing—Rubber—1<math>\frac{1}{2}</math>" Long</b> ... .. <b>Plate—Packing—1<math>\frac{1}{2}</math>" Long</b> ... .. <b>Washer—Tab</b> ... .. <b>Bolt—Hex.—Cone Pointed (for 2515)</b> ... .. <b>Bolt—Hex.—Pointed (for 500830)</b> ... .. <b>Bolt—Hex.—Rear Offside (for 500830)</b> ... ..	2 2 4 4 4 4 3 1	
3	2539 WF0531	<b>Elbow—Main Fuel Tank</b> ... .. <b>Washer—Fibre</b> ... ..	1 A.R.	
4	102815	<b>Tap—Main Fuel Tank</b> ... ..	1	
5	102249 107301 105847	<b>Fuel Pipe Assembly—Main no longer available</b> <b>Fuel Pipe Assembly</b> ... .. <b>Union Nut—Pipe to Tap</b> ... ..	1* 1‡ 1‡	
6	CS 4009	<b>Clip—Connection</b> ... ..	2‡	
7	107303	<b>Connection—Rubber</b> ... ..	1‡	
8	107304	<b>Fuel Pipe Assembly</b> ... ..	1‡	
9	825 205 M1 107306 825 294 M1 825 293 M1	<b>Screw—Union</b> ... .. <b>Screw—Union</b> ... .. <b>Washer—Fibre</b> ... .. <b>Washer—Fibre (1 off up to 344913)</b> ... ..	1* 1‡ 1* 2	
10	102799	<b>Balance Pipe Assembly</b> ... ..	1	
11	112162	<b>Auxiliary Fuel Tank Assembly (inc. 107922)</b>	1	
12	103196 59886 107922	<b>Plug—Drain (Up to 359,782 )</b> ... .. <b>Washer—Fibre</b> { (From 359,783) ... .. <b>Plug—Drain</b> { (From 359,783) ... ..	1 1 1	

SM7UCZ

\* Up to 344,913  
‡ 344,914 and future.

**"20" TRACTOR PARTS LIST**

No. Ref.	Part No.	Description	No. Off 20C Diesel	Remarks
13	300443	<b>Bracket Assembly—Auxiliary Support</b> ...	1	
14	353 517 X1	<b>Screw—Set—Bracket to Support</b> ...	4	
	353 446 X1	<b>Washer—Lock</b> ...	4	
	102277	<b>Pad—Rubber—.88" × .88"</b> ...	4	
15	200850	<b>Bracket Assembly...</b> ...	1	
16	353 521 X1	<b>Screw—Set—Tank to Bracket</b> ...	2	
	353 446 X1	<b>Washer—Lock</b> ...	2	
	353 755 X1	<b>Washer—Flat</b> ...	2	
17	102501	<b>Extension—Auxiliary Fuel Tank</b> ...	1	
	825 291 M1	<b>Washer—Fibre</b> ...	A.R.	
	825 294 M1	<b>Washer—Fibre</b> ...	1	
18	102815	<b>Tap—Auxiliary Fuel Tank</b> ...	1	
19	102279	<b>Fuel Pipe Assembly—Auxiliary Tank to Filter</b>	1*	
20	353 520 X1	<b>Bolt—Filters to Bracket</b> ...	2	
	353 446 X1	<b>Washer—Lock</b> ...	2	
	353 916 X1	<b>Nut—Hex.</b> ...	2	
21	103096	<b>Screw—Union</b> ...	1*	
	825 293 M1	<b>Washer—Fibre</b> ...	1*	
	825 291 M1	<b>Washer—Fibre</b> ...	1*	
22	102213	<b>Screw—Union</b> ...	1*	
	825 293 M1	<b>Washer—Fibre</b> ...	1*	
	825 291 M1	<b>Washer—Fibre</b> ...	1*	
23	102657	<b>Fuel Pipe Assembly—Primary to Secondary Filter</b>	2*	
24	102822	<b>Fuel Filter—See Fig. 54</b> ...	1	
	201524	<b>Fuel Filter—Purolator—See Fig. 54A</b> ...	1	

\* Up to 383710

SM7UCZ

**“20” TRACTOR PARTS LIST**

No. Ref.	Part No.	Description	No. Off 20C Diesel	Remarks
25	103096	Screw—Union	1*	
	102213	Screw—Union	1†	
	825 293 M1	Washer—Fibre	1*	
	825 291 M1	Washer—Fibre	1*	
26		Fuel Pipe Assembly—Filter to Pump—See Fig. 46	1	
27	102822	Fuel Filter—See Fig. 54	1	
	201524	Fuel Filter—Purolator—See Fig. 54A	1	
28	102213	Screw—Union	1*	
	825 293 M1	Washer—Fibre	1*	
	825 291 M1	Washer—Fibre	1*	
29	202095	Pipe Assembly—Tank to Feed Pump	1†	
30	826 154 M91	Pump—Fuel Feed—See Fig. 58	1†	
	826 155 M1	Gasket—Pump to Block	1†	
31	108764	Pipe—Feed Pump to Filter	1†	
32	102213	Screw—Union	1†	
	825 293 M1	Washer—Fibre	1†	
	825 291 M1	Washer—Fibre	1†	
33	103065	Pipe Assembly—Filter to Filter	1†	
34	102213	Screw—Union	1†	
	825 293 M1	Washer—Fibre	1†	
	825 291 M1	Washer—Fibre	1†	
35	102213	Screw—Union	1†	
	825 293 M1	Washer—Fibre	1†	
	825 291 M1	Washer—Fibre	1†	

\* Up to 383,710  
 † 383,711 and future

SM7UCZ



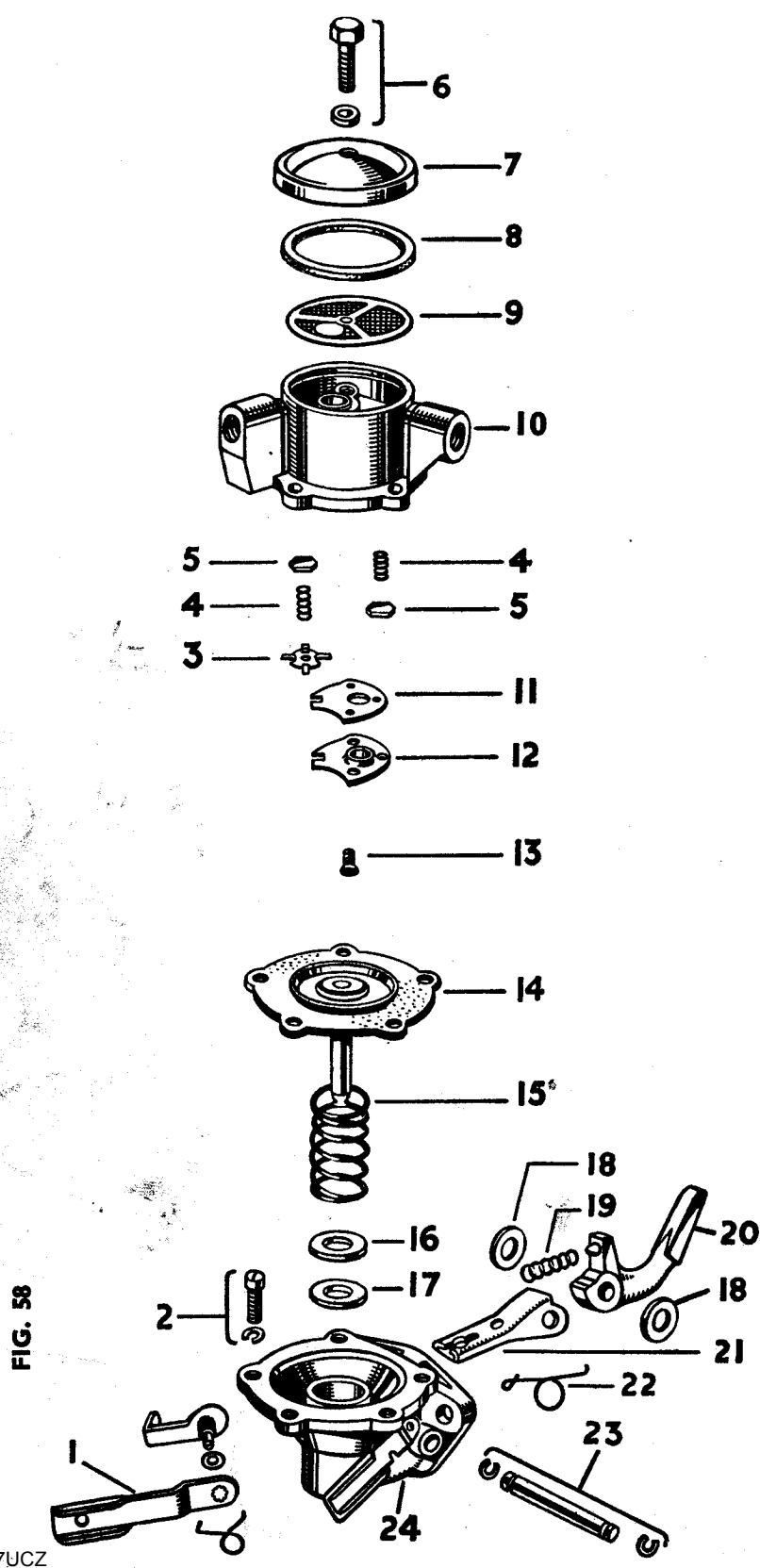


FIG. 58

SM7UCZ

" 20 " TRACTOR PARTS LIST

Ref. No.	Part No.	Description	No. Off 20 C Diesel	Remarks
		FIG. 58. FUEL FEED PUMP		
	202096	Fuel Pump Assembly. Use 826 154 M91 ...	1	As Illustrated
	826 154 M91	Fuel Pump Assembly ...	1	
1	827 465 M1	Priming Lever Parts Set ...	1	
2	827 466 M1	Screw-Upper Casting ...	5	
	827 467 M1	Washer-Lock ...	5	
3	827 468 M1	Retainer-Valve Spring ...	1	for 202096
4	827 469 M1	Spring-Valve-Inlet and Exhaust ...	2	for 202096
5	827 470 M1	Valve-Inlet and Exhaust ...	2	for 202096
	827 699 M91	Valve Assembly ...	2	for 826 154 M91
6	1850 330 M1	Screw-Filter Cover ...	1	
	827 472 M1	Gasket-Filter Screw ...	1	
7	827 473 M1	Cover-Filter ...	1	
8	1850 329 M1	Gasket-Filter Cover ...	1	
9	827 533 M1	Gauze-Filter ...	1	
10	827 534 M1	Upper Casting. Use 1850 335 M1, 827 699 M91 1850 332 M1, 1850 333 M1 and 1850 334 M1 ...	1	for 202096
	1850 335 M1	Upper Casting ...	1	for 826 154 M91
11	827 535 M1	Gasket-Valve Plate ...	1	for 202096
	1850 333 M1	Gasket-Valve Plate ...	1	for 826 154 M91
12	827 536 M1	Plate-Valve ...	1	for 202096
	1850 332 M1	Retainer-Valve ...	1	for 826 154 M91
13	827 537 M1	Screw-Valve Plate ...	3	for 202096
	1850 334 M1	Screw-Valve Retainer ...	2	for 826 154 M91
14	827 538 M91	Diaphragm Assembly ...	1	
15	827 539 M1	Spring-Diaphragm ...	1	for 202096
	1850 331 M1	Spring-Diaphragm ...	1	for 826 154 M91
16	827 540 M1	Washer-Oilseal, Metal ...	1	
17	827 541 M1	Washer-Oilseal, Fabric ...	1	
18	827 542 M1	Washer-Rocker Pin ...	2	
19	827 543 M1	Spring-Rocker Arm ...	1	
20	827 544 M1	Arm-Rocker ...	1	
21	827 545 M1	Link ...	1	
22	827 546 M1	Spring-Priming Lever ...	1	
23	827 547 M1	Pin-Rocker Arm ...	1	
	827 548 M1	Clip-Rocker Pin ...	2	
24	827 549 M91	Body and Primer Assembly ...	1	for 202096
	1850 328 M91	Body and Primer Assembly ...	1	for 826 154 M91
	SM7UCZ			

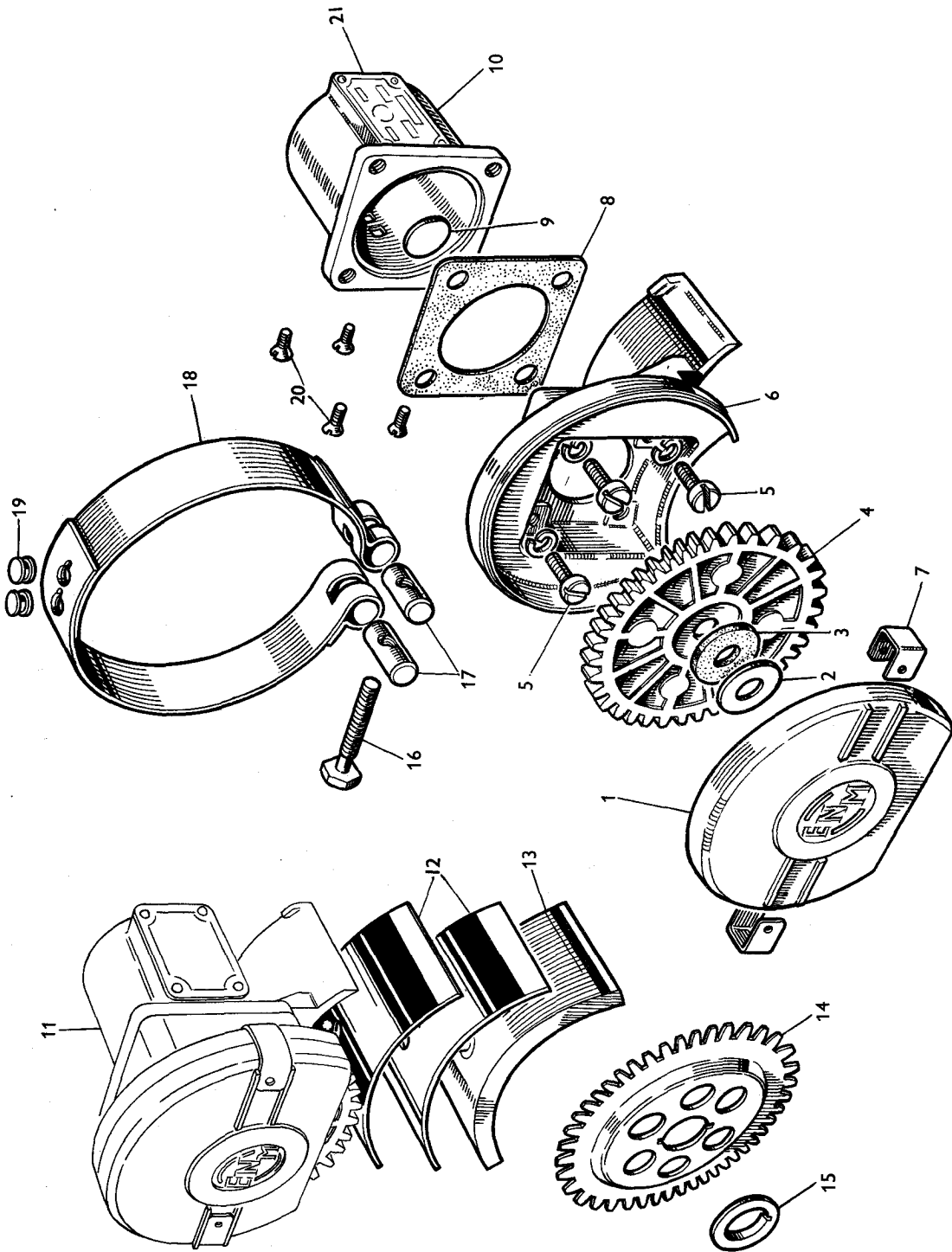


FIG. 5SM7UCZ

" 20 " TRACTOR PARTS LIST

Ref. No.	Part No.	Description	No. Off	Remarks
		FIG. 59. HOURS' RECORDER		
	824 007 M91	Hours' Recorder Assembly ... ..	1	Carb. Diesel
	824 008 M91	Hours' Recorder Assembly ... .. each includes items 1 - 21 below and Fig. 60. (Note: Details available for Export Only)	1	
1	1850 868 M1	Cover ... ..	1	
2	1850 874 M1	Washer ... ..	1	
3	1850 863 M1	Washer-Cork ... ..	1	
4	1850 880 M1	Gear-Plastic ... ..	1	
5	1850 873 M1	Screw-Cheese Head ... ..	4	
	1850 857 M1	Washer-Spring ... ..	4	
6	1850 869 M1	Bracket ... ..	1	
7	1850 858 M1	Clip ... ..	2	
8	631 049 M1	Gasket ... ..	1	
9	1850 893 M1	Disc ... ..	1	
10	1850 895 M1	Case ... ..	1	
11		Body Assembly-Not Serviced-Order 824 007 M91 or 824 008 M91		
12	1850 864 M1	Shim-Plastic ... ..	4	
13	1850 870 M1	Piece-Packing ... ..	1	
14	1850 885 M1	Gear-Driving ... ..	1	
15	1850 879 M1	Bush-Adaptor ... ..	1	
16	1850 856 M1	Bolt ... ..	1	
17	1850 876 M1	Anchor ... ..	2	
18	1850 894 M1	Strap ... ..	2	
19	1850 878 M1	Stud ... ..	2	
20	1850 855 M1	Screw ... ..	4	
SM7UCZ 21	1850 865 M1	Label ... ..	1	

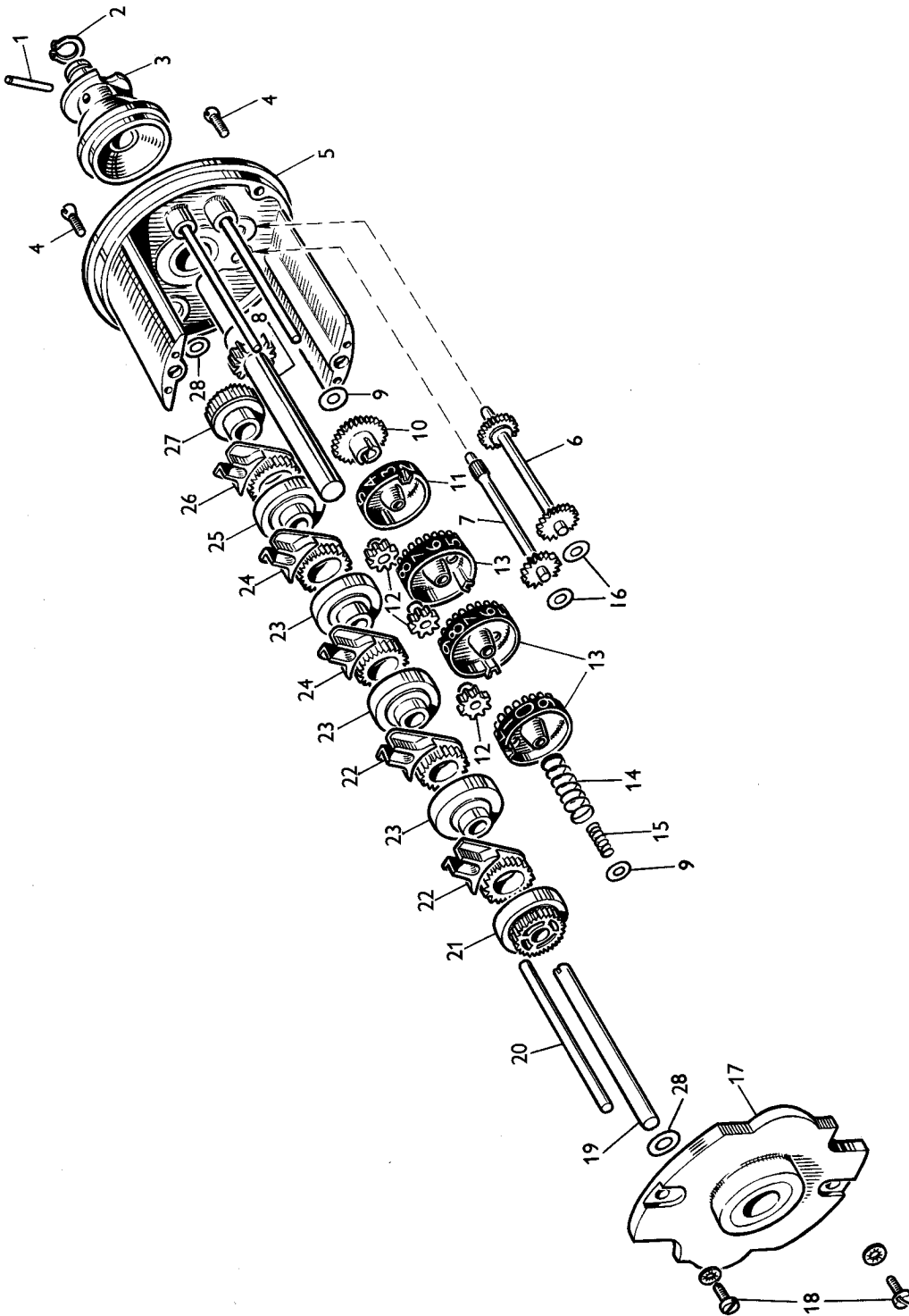


FIG. 66M7UCZ

**" 20 " TRACTOR PARTS LIST**

Ref. No.	Part No.	Description	No. Off	Remarks
		FIG. 60 HOURS' RECORDER DRIVE TRAIN		
1	1850 854 M1	Pin-Groove... ..	1	
2	1850 860 M1	Circlip ... ..	1	
3	1850 896 M1	Cup ... ..	1	
4	1850 872 M1	Screw-Countersunk ... ..	2	
5	1850 898 M1	Plate-Front ... ..	1	
6	1850 901 M1	Spindle ... ..	1	
7	1850 900 M1	Spindle ... ..	1	
8	1850 903 M1	Spindle-Main ... ..	1	
9	1850 890 M1	Shim ... ..	AR	
10	1850 881 M1	Connector ... ..	1	
11	1850 867 M1	Wheel-Unit ... ..	1	
12	1850 889 M1	Pinion ... ..	3	
13	1850 866 M1	Wheel-Middle ... ..	3	
14	1850 862 M1	Spring ... ..	1	
15	1850 861 M1	Spring ... ..	1	
16	1850 891 M1	Shim ... ..	AR	
17	1850 897 M1	Plate-End ... ..	1	
18	1850 871 M1	Screw-Cheese Head ... ..	2	
	1850 859 M1	Washer-Shakeproof ... ..	2	
19	1850 877 M1	Spindle ... ..	1	
20	1850 875 M1	Spindle ... ..	1	
21	1850 887 M1	Gear-Internal ... ..	1	
22	1850 883 M1	Pinion ... ..	2	
23	1850 886 M1	Gear-Internal ... ..	3	
24	1850 882 M1	Pinion ... ..	2	
25	1850 888 M1	Gear-Internal ... ..	1	
26	1850 884 M1	Pinion ... ..	1	
27	1850 902 M1	Gear-Eccentric ... ..	1	
28	1850 892 M1	Shim ... ..	12 (AR)	
	SM7UCZ			