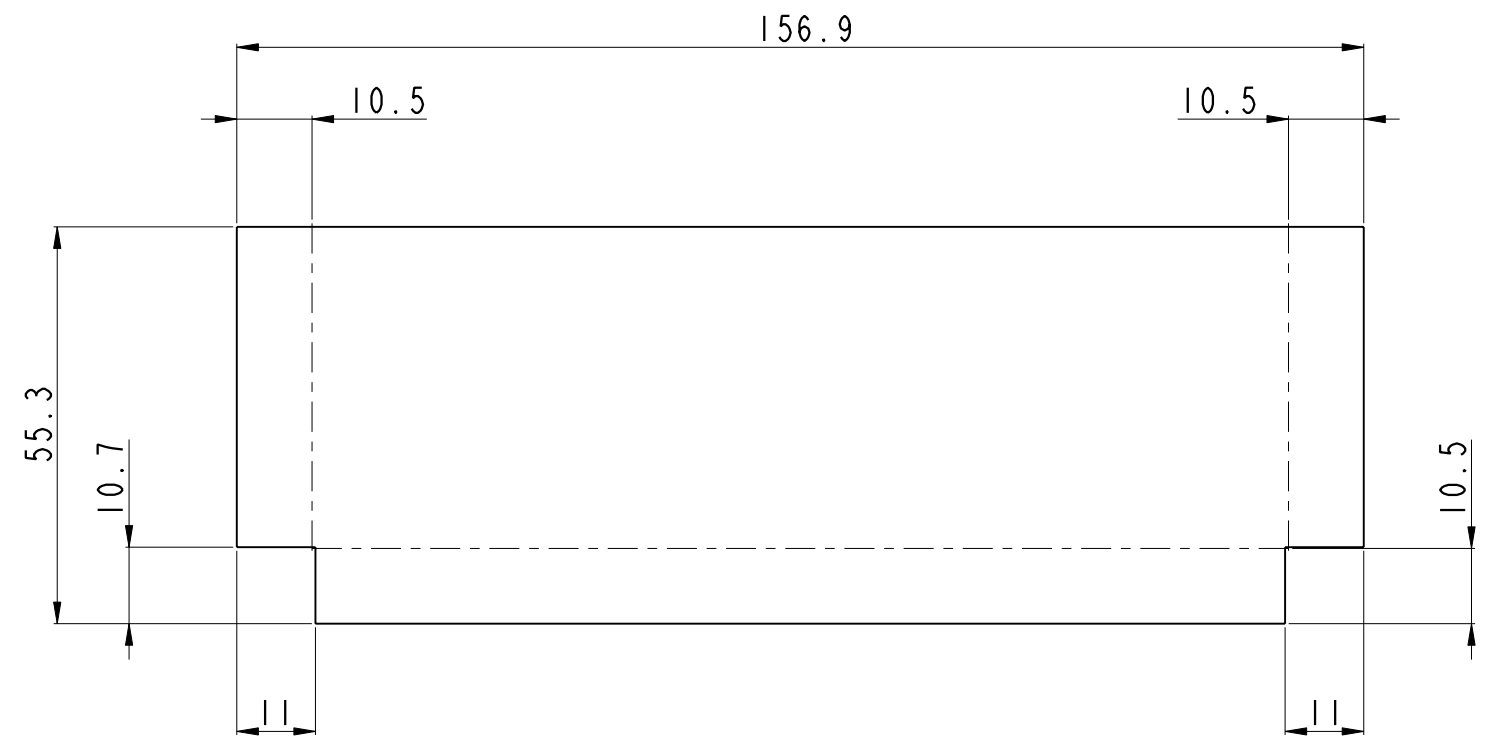
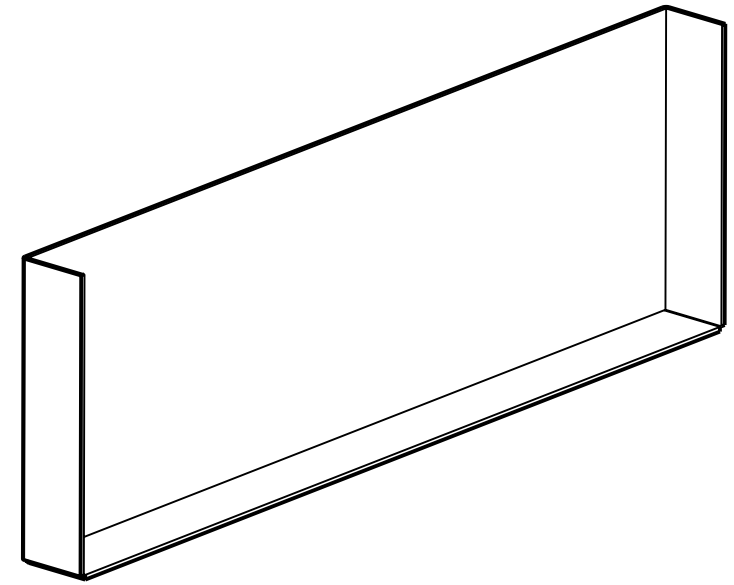
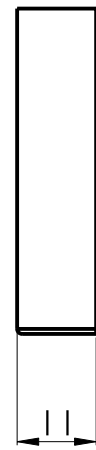
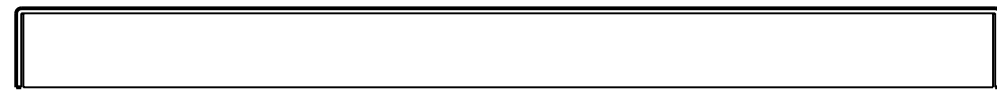
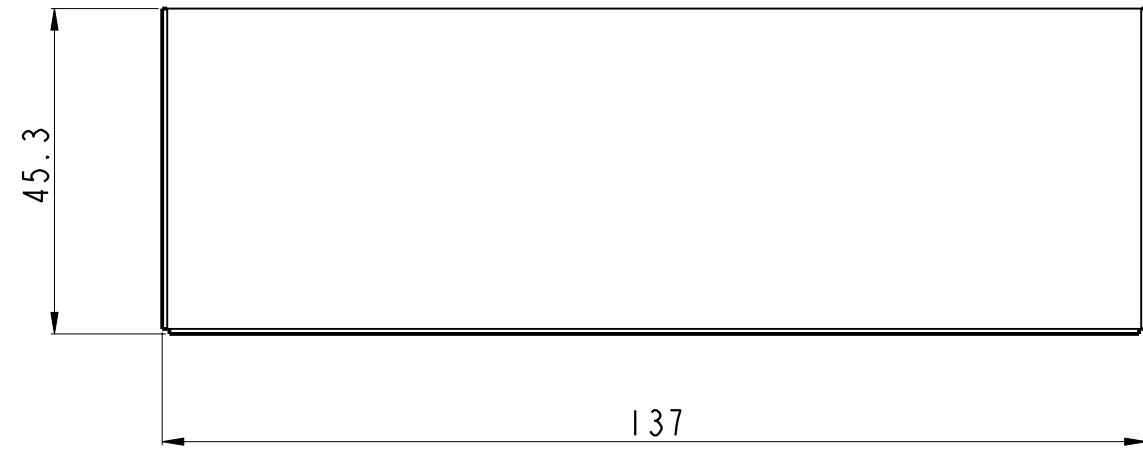


This document and its contents is our property and no part of the document may be shown, copied, reproduced, transmitted, or translated, in any form to third party, without written permission from KMT. Any infringement will lead to legal proceedings.



No.	Qty	Note	Date	By	Checked

Break sharp edges	Part to be marked with drawing no.	Checked	Drawn by	
Tolerances according to SS-ISO 2768-1 Coarse where else not stated	<b>KMT</b>	Sheet 1 of 1		Date 070917
Surface finish where else not stated		Scale 1:2		Rev.