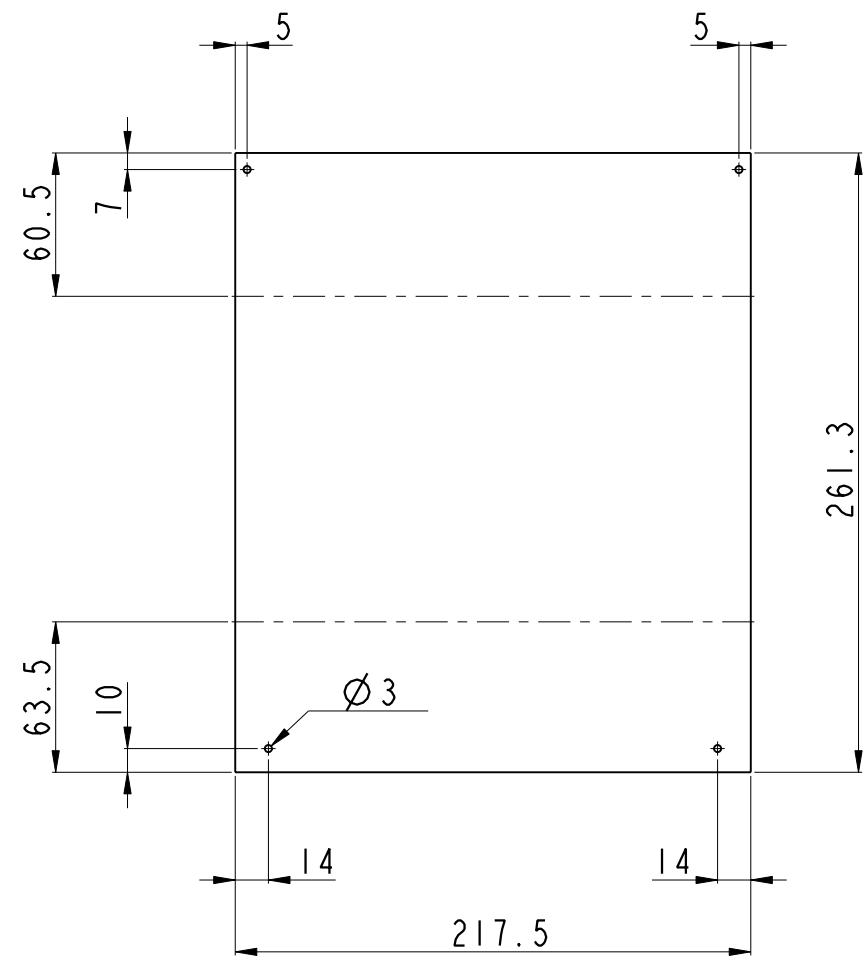
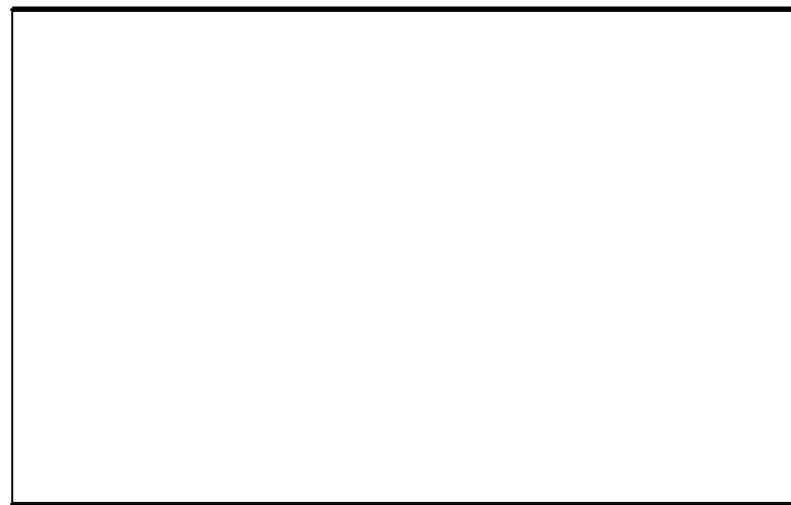
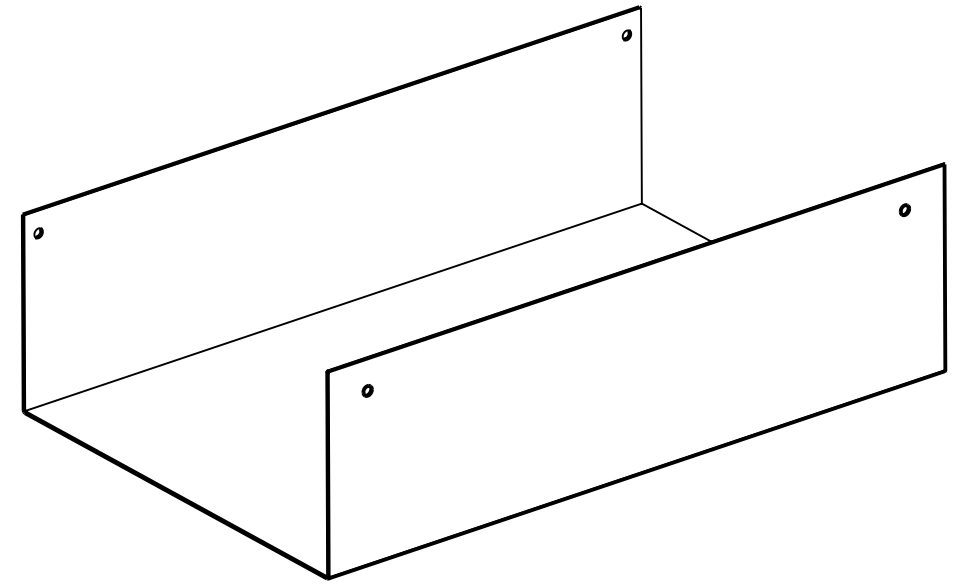
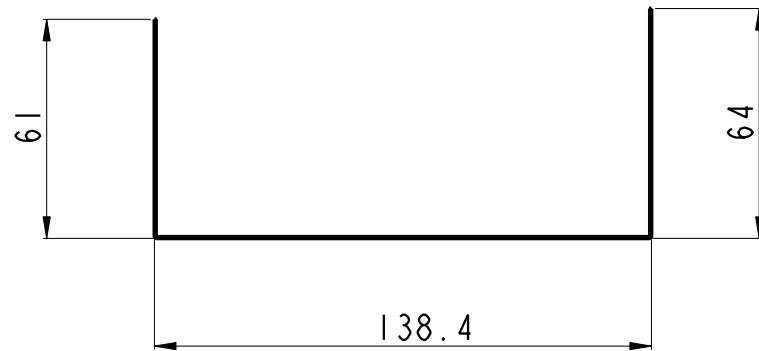
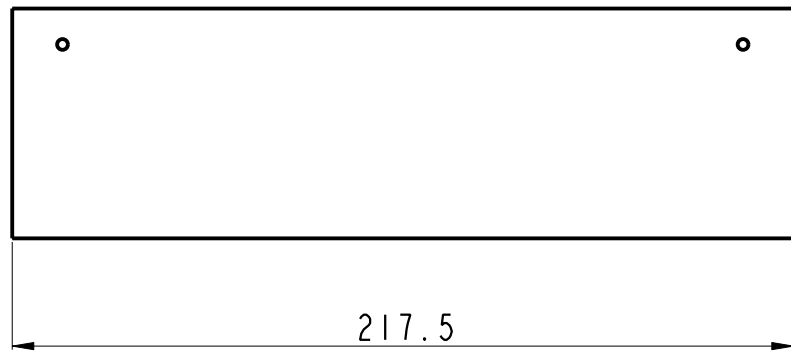


This document and its contents is our property and no part of the document may be shown, copied, reproduced, transmitted, or translated, in any form to third party, without written permission from KMT. Any infringement will lead to legal proceedings.



Break sharp edges	Part to be marked with drawing no.	Checked	Drawn by JS
Tolerances according to SS-ISO 2768-1 Coarse where else not stated	KMT	Sheet 1 of 1	
Surface finish where else not stated		Case bottom Paraset	Scale 1:2 Date 070917
No.	Qty	Note	Date
			By
			Checked
			Rev.

No.	Qty	Note	Date	By	Checked
-----	-----	------	------	----	---------